

# Sedal

## Metering Valves



The faucet's heart

# Featuring

## Self-cleaning Technology

Sedal's metering valves feature an advanced self-cleaning mechanism, specifically designed for demanding environments such as airports, hotels, hospitals, schools, restaurants and other public or semi-public installations.

Inside the valve, a calibrated jewel orifice works together with a specially tuned spring assembly to control the activation cycle. When the push button is pressed, the valve chamber fills in a controlled way, water flows through the calibrated jewel at a precise rate, and the spring regulates both the refill cycle and the closing time.

With each activation, the movement of water through the valve helps flush away small particles, sediment and deposits. This repeated hydraulic action creates a self-cleaning effect that supports stable performance over time.

## Tailor made Knobs

Sedal offers flexible knob customization options, allowing the metering valve design to be adapted to each customer's aesthetic, functional and branding requirements. From shape and finish to colors and marking options, the knob can be developed to integrate seamlessly into different bathroom concepts and architectural environments.



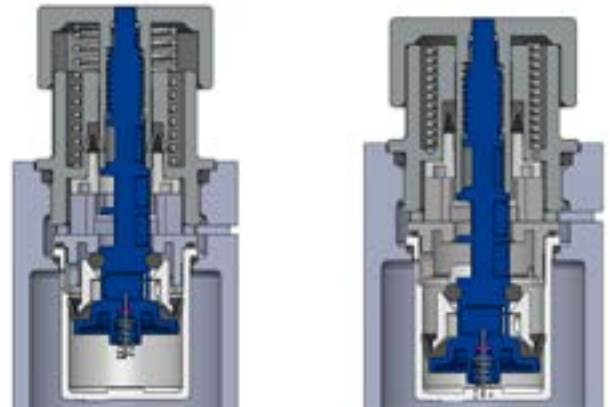
## Adjustable Flow rate

The metering valve incorporates an adjustable internal vessel position, allowing the installer to modify the flow rate directly during installation. This provides greater flexibility to adapt the valve's performance to the specific requirements of each project or installation environment.



## Main advantages

- Helps reduce limescale build-up
- Minimizes obstruction caused by particles or sediment
- Maintains consistent flow timing
- Improves long-term reliability
- Reduces maintenance interventions



## Adjustable time for 28mm valves

The metering valve incorporates an adjustable nut that limits the push-button travel, helping reduce the dispensing time.

Using an Allen key, the screw can be removed and the nut turned to the desired position, allowing the installer to adjust the valve setting directly during installation.



# Versions



M28  
Urinal / Basin



M26  
Urinal / Basin



M28  
Basin - Adjustable



M37  
Basin - Adjustable

# Applications



## Urinal

- Self-closing valve with 3 seconds of flush time.
- Available in 26mm and 28mm
- Customizable knob.
- Self cleaning system with calibrated spring and jewel.
- Adjustable flow rate with multi-position vessel



## Basin

- Self-closing valve with 7 seconds of flush time.
- Available in 26mm and 28mm
- Customizable knob with color indicator.
- Self cleaning system with calibrated spring and jewel.
- Adjustable flow rate with multi-position vessel.
- Time adjustable variant available in 28mm



## Shower

- Self-closing valve with 20 to 35 seconds of flush time.
- Available in 37mm diameter
- Customizable knob with red dot marking
- Self cleaning system with calibrated spring and jewel.
- Adjustable flow rate with multi-position vessel.

# Technical Specifications

	Urinal M26	Urinal M28	Basin M26	Basin M28	Shower M37
<b>General</b>					
Tightening torque	7 - 8 Nm	7 - 8 Nm	7 - 8 Nm	7 - 8 Nm	7 - 8 Nm
Working pressure	1 - 5 bar	1 - 5 bar	1 - 5 bar	1 - 5 bar	1 - 5 bar
Pressure resistance	> 25 bar	> 25 bar	> 25 bar	> 25 bar	> 25 bar
Life cycle	"70.000 cycles (EN 12541)"	"70.000 cycles (EN 12541)"	"210.000 cycles (EN 816)"	"210.000 cycles (EN 816)"	"210.000 cycles (EN 816)"
Max. recommended water temp.	45 °C	45 °C	45 °C	45 °C	45 °C
<b>Flow rate @ 3 bar</b>					
Free flow	14,8 l/min	17 l/min	14,8 l/min	17 l/min	36,7 l/min
Restrictor	"10,2 l/min Class A"	"14,5 l/min Class C"	"10,2 l/min Class A"	"14,5 l/min Class C"	"12,0 l/min Class A"
<b>Hydraulic parameters @ 3 bar</b>					
Duration of flow after 500 cycles	3 ± 1 s	3 ± 1 s	7 ± 3 s	15 ± 5 s	20-35 s
Volume per cycle	Class 1,5	Class 1,5	"< 0,7 l Water saving (aerator <8 l/min)"	Depends on restrictor	Depends on restrictor



Get access to the complete  
and latest product technical data