

Sedal



Innovating Every Day

SEDAL Group is a leading global manufacturer of components for the faucet and sanitary industry. Founded in 1984, we have continuously grown and expanded our activities, offering a wide range of products and solutions that meet the most demanding customer requirements.

Headquartered in Spain, SEDAL operates in over 45 countries worldwide providing us with extensive knowledge of the market. Following our vision, we pursue technical excellence in every single product we develop. Our team of engineers takes care of achieving new technical challenges to keep our customers satisfied. Deep know-how in critical faucet components such as ceramic cartridges, headworks, thermostatic cartridges, flexible connections or diverters leads us to be the preferred supplier for some of the largest faucet manufacturers worldwide.

Since Sedal integrates a new company in the group, we develop and manufacture products that mix two elements: water and electronics. Under Sedal Digital Systems we combine the strengths of both companies in order to launch the best OEM electronic systems. Now we also have in the catalogue thermostatic shower systems, digital faucets and electronic commercial water systems.

We invite you to learn more about our full product range on this catalogue and at www.sedal.com



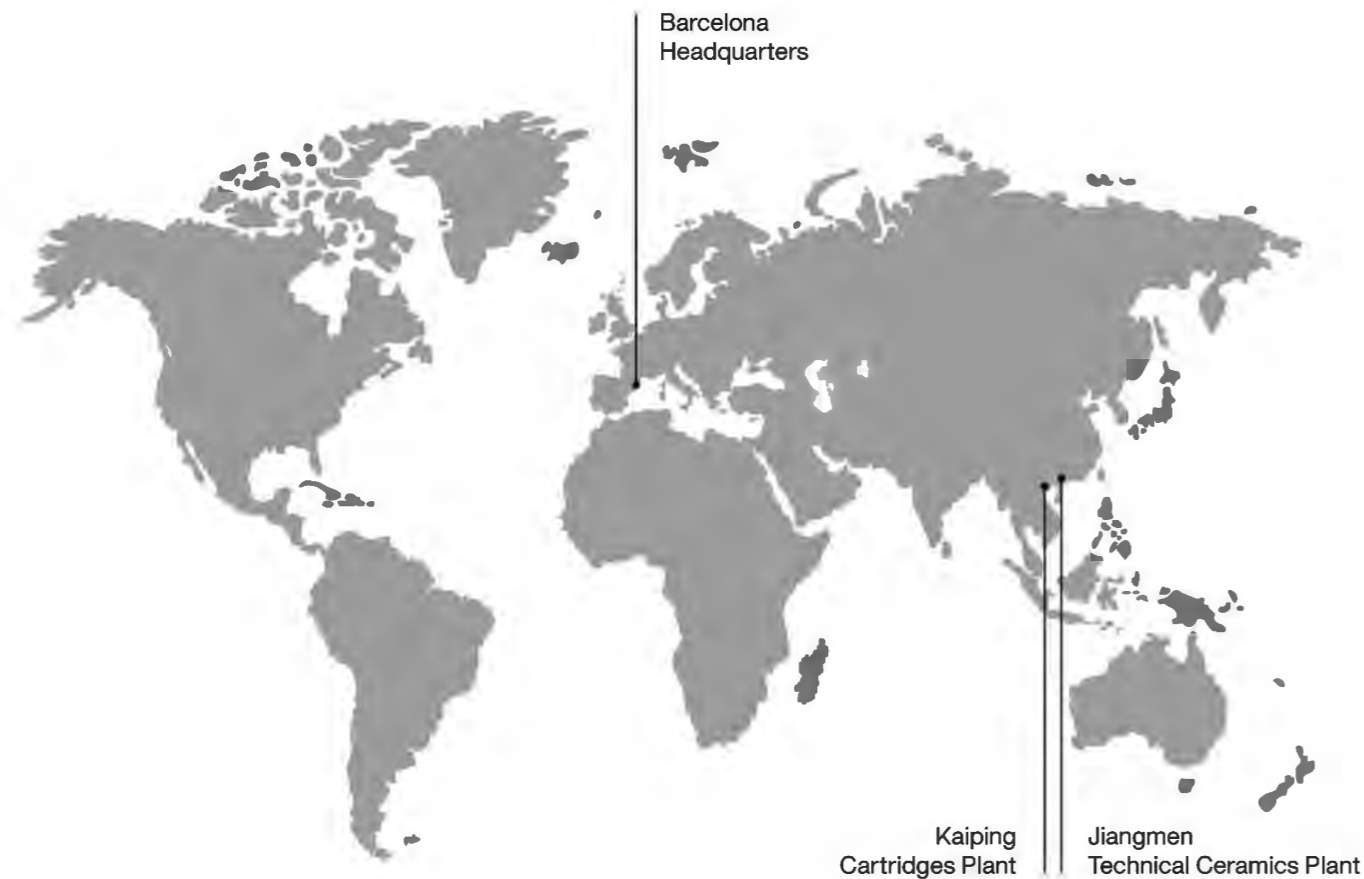
Sedal Group Companies

Sedal

Sedal
DIGITAL SYSTEMS

Sedal
TECH CERAMICS

Worldwide presence



Offering you the best



Expertise backed by more than 50 engineers

Global multinational company

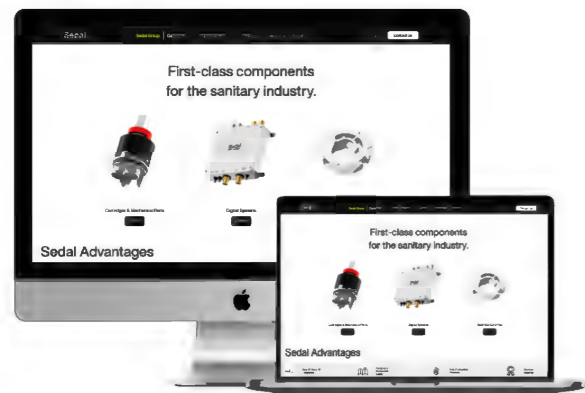
Best materials and technologies

With over 40 years of experience in the industry, we have built a 360° catalog that covers a wide range of mechanical and digital solutions, offering some of the best products in the market. Our expertise is backed by a dedicated team of more than 50 engineers in our Barcelona center of excellence, continuously developing OEM projects to meet every need.

We manufacture our products using the highest-quality materials, from advanced ceramics to durable casings, ensuring long-lasting performance. Our proprietary SedalOX technology enhances the durability of our ceramic cartridges, extending their lifespan.

Committed to efficiency, we implement lean manufacturing with fully automated assembly, testing, and packaging processes. With offices in Spain and China, we streamline global logistics, shipping from both locations and simplifying post-customs operations to support our clients worldwide.

Find what you need



We have updated our website to ensure you can easily find everything you need from any of your devices.

From a search tool with all our references to projects, Electronic Water Valve comparisons, and more... you can easily browse our entire catalog online.

Visit sedal.com and see it for yourself!

Our Values

At Sedal, we believe that meaningful progress starts with strong principles. The way we treat people, the way we collaborate, and the way we innovate, all reflect the values we stand for. They provide a shared foundation that guides our work with clarity and consistency.

With people first at the core, we invest in attracting, developing, and empowering the best talent, ensuring our teams are prepared to respond effectively to our clients' needs. This deliberate focus strengthens our partnerships and reinforces our ability to deliver reliable, high-quality outcomes.

People First

Customer Orientation

Committed to Excellence

Initiative to Perform

Innovative Thinking

Passionate Teamwork

Stay connected with Sedal!

Sedal's blog covers everything you need to know—from detailed insights on our products and company updates to expert advice on optimizing your product range.

Dive into the latest trends, explore our innovations, and get practical tips to help your business stay ahead. Visit our blog and stay up-to-date with everything Sedal!

Index

Cartridges



Single lever Cartridge

25 mm	15
26 - 28 mm	33
35 mm	65
40 - 45 mm	107



Thermostatics

Index	141
TM-001	143
TM-002	147
TM-006	149

Headworks



Index	155
Ceramic	157
Convencional	159



Diverters

Index	163
Multiway	165
Self-return	175

Self-closing valves

Index	179
M26	180
M28	181
M37	182



Hoses



Index	185
For faucets	186
For installation	187

Electronic Water Valve

Thermostatic Electronic Water Valve with internal & external diverter, available for shower and kitchen faucets.



Index	195
H Family	209
M Family	197
T Family	199

Digital Solutions

Interfaces



Index	215
Capacitive Display	217
Digital Rotatives	223
Digital Cartridge	225
Sensors	230

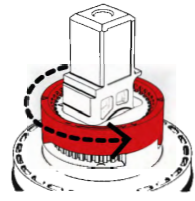
Secural

The
faucet's heart



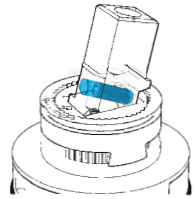
Cartridges

Cartridge Technologies



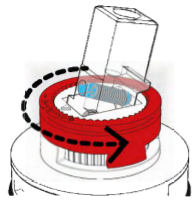
Temperature Ring (TR)

Limits the maximum handle rotation to control hot water temperature. This prevents the handle from reaching excessively high temperatures, reducing the risk of scalding. Easily adjustable after installation, it also supports energy efficiency by avoiding unnecessary hot water use.



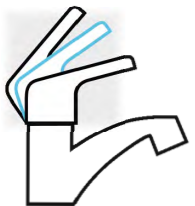
Flow limiter (N)

Controls the maximum water flow by limiting the lever opening angle via an adjustable screw. This allows precise regulation of water consumption while maintaining a comfortable user experience.



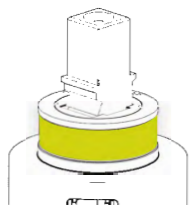
Temperature Ring with Flow limiter (TRN)

Combines temperature and flow control in a single solution. It limits both the maximum hot water temperature and the handle opening angle, reducing water consumption while ensuring safe and comfortable operation. Fully adjustable after installation.



Hard Point (Due) C2

Introduces a subtle resistance in the handle movement at around 50% of the flow range. This encourages users to operate the faucet within a moderate flow level, helping to reduce water consumption. Full flow remains accessible when needed.



Termaclick

Integrated safety system that provides a noticeable “click” at approximately 38°C. This creates a safe stopping point to prevent accidental exposure to high temperatures. Additional force is required to exceed this limit, ensuring safety while still allowing access to hotter water when needed.



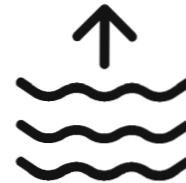
Metal lever

Features a durable metal control lever instead of plastic, improving strength, wear resistance, and reliability. Ideal for high-use environments, with options in materials such as stainless steel or brass to suit different requirements.



EcoFlow

Regulates water flow directly within the cartridge for greater stability and efficiency. Ensures a consistent mix of hot and cold water, even at low flow or under pressure fluctuations. Enhances user comfort while reducing water consumption, often eliminating the need for external flow restrictors.



High Flow

Designed to deliver increased water volume compared to standard cartridges. Optimized internal passages reduce resistance, ensuring strong and consistent flow. Ideal for installations requiring high performance, such as large sinks or professional environments.



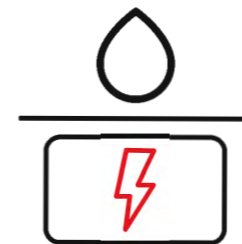
Low Pressure

Engineered for optimal performance in low-pressure systems. The cartridge design minimizes internal resistance, allowing smooth and consistent water flow even when supply pressure is limited. Suitable for gravity-fed systems or older plumbing installations.



High Pressure

Built to perform reliably under high water pressure conditions. Reinforced internal components ensure durability, smooth operation, and long-term performance, protecting the faucet in demanding installations.



Niederdruck (Low-pressure faucets)

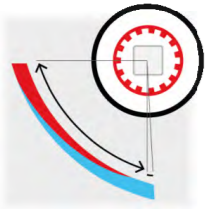
Low-pressure faucets (or Niederdruck) are specifically designed for use with non-pressurized water heaters (typically small under-sink boilers). Unlike conventional high-pressure faucets, they operate with three connections: cold water supply, and two lines to and from the heater. This system allows the heater to remain unpressurized, with water expanding safely through the faucet during heating.

Cartridge Openings



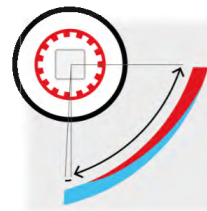
Standard Opening

In the standard opening configuration, the lever starts in the central position and, when lifted, both hot and cold water are activated simultaneously, creating a mixed water flow. The user can adjust the temperature by moving the handle towards the hot or cold side. This is the traditional operation system used in most single-lever faucets.



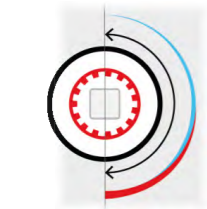
Cold Opening C3

In the cold opening configuration, the lever starts in the central position delivering only cold water. Hot water is activated only when the handle is intentionally turned towards the hot side. This system helps reduce unnecessary hot water consumption and improves energy efficiency, making it ideal for applications where water and energy saving are priorities.



Cold-Mirror Opening Ch3

The Cold-Mirror opening configuration works similarly to the cold opening system, with cold water delivered when the handle is in the central position. However, the direction to activate hot water is reversed, requiring the handle to be turned in the opposite direction. This configuration is typically used in kitchen faucets where the handle must align vertically when delivering cold water, ensuring better ergonomics and design integration.



Revolving Opening

The revolving cartridge provides progressive flow control through a single lever rotation, enabling a smooth increase in flow followed by precise temperature adjustment once maximum flow is reached.

The faucet's heart
desda

25 mm

The slimmest designs available from Sedal. We work to offer you a wide range of possibilities that not only help manufacturers with design and low-cost materials, but also allow them to incorporate many features and functionalities, such as EcoFlow, SN or EN (soft & hard movement), upper or lower sealing, and plastic or metal levers.

Choose among four sizes or ask us for your preferences.

EX-25 TOP with metal lever & 2 sealing options



Cartridges for single lever faucets

33 products
1 size

25 mm

Regular

EN-25 TOP

Name	Code	Page
EN-25 TOP C/D	08EN25L0001	17
EN-25 TOP S/D	08EN25S0001	17
EN-25 TOP C/D Due	08EN25L3001	17
EN-25 TOP S/D Due	08EN25S3001	17
EN-25 TOP C/D Cold	08EN25L1501	17
EN-25 TOP S/D Cold	08EN25S1501	17
EN-25 TOP C/D Cold Due	08EN25L2001	17
EN-25 TOP S/D Cold Due	08EN25S2001	17
EN-25 TOP C/D Cold-Mirror	08EN25L1502	17
EN-25 TOP S/D Cold-Mirror	08EN25S1502	17
EN-25 TOP C/D Cold-Mirror Due	08EN25L2002	17
EN-25 TOP S/D Cold-Mirror Due	08EN25S2002	17

SN-25

Name	Code	Page
SN-25 C/D	08SN25LGO00	19
SN-25 S/D	08SN25FGO00	19
SN-25 C/D Cold	08SN25L1503	19
SN-25 S/D Cold	08SN25S1503	19
SN-25 C/D Cold-Mirror	08SN25L1504	19
SN-25 S/D Cold-Mirror	08SN25S1504	19
SN-25 C/D High Sensitivity	08SN25L0016	19
SN-25 S/D High Sensitivity	08SN25S0016	19
SN-25 C/D Ecoflow	08SN25L0001	19
SN-25 S/D Ecoflow	08SN25S0002	19
SN-25 S/D Metal Lever	08SN25S0008	19

Upper Sealing

EX-25 TOP

Name	Code	Page
EX-25 TOP 12,5° / 12,5° · 4 mm pin	08EX25L0001	21
EX-25 TOP 12,5° / 12,5° · 5 mm pin	08EX25L0004	21
EX-25 TOP 0° / 23° · 4 mm pin	08EX25L0002	21
EX-25 TOP 0° / 23° · 5 mm pin	08EX25L0003	21

EX-25 Piano

Name	Code	Page
EX-25 Piano	08EX25L0007	23
EX-25 Piano M4	08EX25L0016	23

GC-25

Name	Code	Page
GC-25 S/D Metal Lever	08GC25S0009	25
GC-25 S/D Metal Lever Closed C.	08GC25S0012	25
GC-25 S/D Metal Lever DLC	08GC25S0011	25
GC-25 S/D Metal Lever Closed DLC	08GC25S0013	25
GC-25 S/D Metal Lever Split	08GC25S0017	25

Revolving

GI-25

Name	Code	Page
GI-25 S/D Metal Lever	08GI25S0002	27

Joystick

JY-25

Name	Code	Page
JY-25 S/D Metal Lever	08JY25S0002	20

Mechanical Requirements

31

EN-25 TOP

Regular



Description

The smallest size in our TOP cartridge range, featuring a slim design with both high and low base options. Engineered for the highest level of performance in kitchen and basin faucet applications.

Opening



Standard



Cold-Mirror



Cold

Advantages

TOP Range

The TOP family offers a 5% higher flow rate than the market average in this segment. Additionally, it outperforms its closest competitor by delivering a 3.5% greater flow rate.

Strong Materials

Constructed with strong and long-lasting materials, these cartridges are designed to provide the best user experience

Smooth Operation

These cartridges offer up to 3 times smoother operation than most standard mechanical cartridges, providing a even feel when operated. Enjoy smooth performance even under very hot water conditions.

Certifications



Technologies



Due

Versions

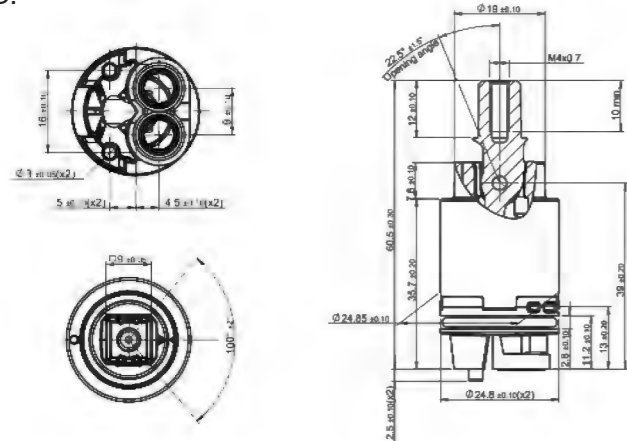
	Short base (SD)	Long base (CD)	Opening	Temperature Limiter (TR)	Temperature & Flow limiter (TRN)	Due	Special Function
EN-25 TOP	08EN25S0001	08EN25L0001	Standard				
EN-25 TOP Due	08EN25S3001	08EN25L3001	Standard			x	
EN-25 TOP Cold	08EN25S1501	08EN25L1501	Cold				
EN-25 TOP Cold Due	08EN25S2001	08EN25L2001	Cold			x	
EN-25 TOP Cold-Mirror	08EN25S1502	08EN25L1502	Cold-Mirror				
EN-25 TOP Cold-Mirror Due	08EN25S2002	08EN25L2002	Cold-Mirror			x	

Technical Specifications

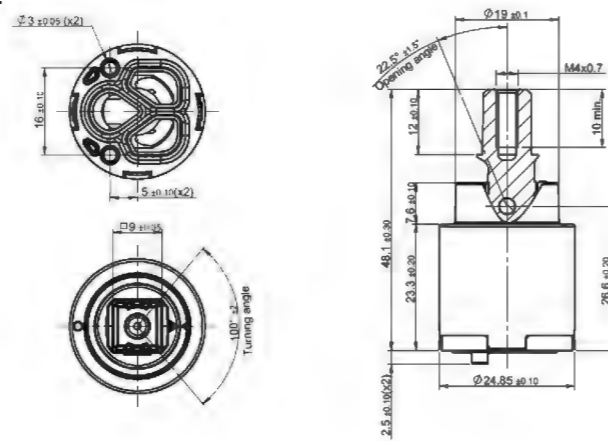
	EN-25 TOP	EN-25 TOP Due	EN-25 TOP Cold	EN-25 TOP Cold Due	EN-25 TOP Cold-Mirror	EN-25 TOP Cold-Mirror Due	08EN25S1501 08EN25L1501	08EN25S2001 08EN25L2001	08EN25S1502 08EN25L1502	08EN25S2002 08EN25L2002
General										
Nut torque M1,5										
							7 - 8 Nm			7 - 8 Nm
Opening angle							22,5°			22,5°
Rotation angle							100°			93°
Working pressure (recommended)							1 - 5 bar			1 - 5 bar
Burst pressure							> 50 bar			> 50 bar
Life cycle- EN 817 NF - 077 U3							175.000 cycles			175.000 cycles
x3 ASME 112-18.1 M							1.500.000 cycles			1.500.000 cycles
x3 GB-18145							210.000 cycles			210.000 cycles
Sensitivity							> 12°			> 11°
Fidelity							< 5 °C			< 5 °C
Constant 63°C & 50°C (6 l/min - 3l/min)							< 4 °C - < 6 °C			< 4 °C - < 6 °C
Max. hot water							90 °C			90 °C
Operation Torque										
Open-close							0,2 - 0,4 Nm			0,2 - 0,4 Nm
Turn at closed							0,15 - 0,3 Nm			0,15 - 0,3 Nm
Turn at opened							0,2 - 0,35 Nm			0,2 - 0,35 Nm
Flow rate (free flow)										
Basin DN8 Free Flow							14,8 l/min			13,5 l/min
Basin DN8 RhA							10,8 l/min			9,5 l/min

Dimensions

C/D:



S/D:



SN-25

Regular



Description

The SN-25 cartridges from Sedal are engineered to exceed industry standards. Featuring a robust lever, smooth operation, and a higher flow rate than previous versions, these cartridges offer enhanced performance and reliability for your faucet designs.

Opening



Standard



Cold-Mirror



Cold

Certifications



Technologies



EcoFlow



Metal lever

Advantages

Improves Performance

Understanding that smaller cartridges often face challenges in tough conditions, Sedal has developed a new valve that greatly improves technical specifications compared to market standards. Our advancements include:
+10% increase in flow rate than the nearest competitor.
Improves operational comfort

High Sensitivity

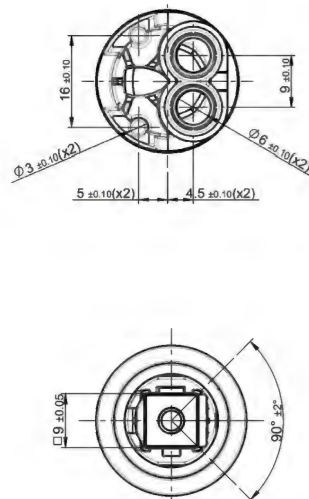
The high sensitivity SN25 improves the sensitivity test result by more than 20%, enabling the cartridge to be used with shorter handles while keeping an excellent temperature control.

Metal Lever

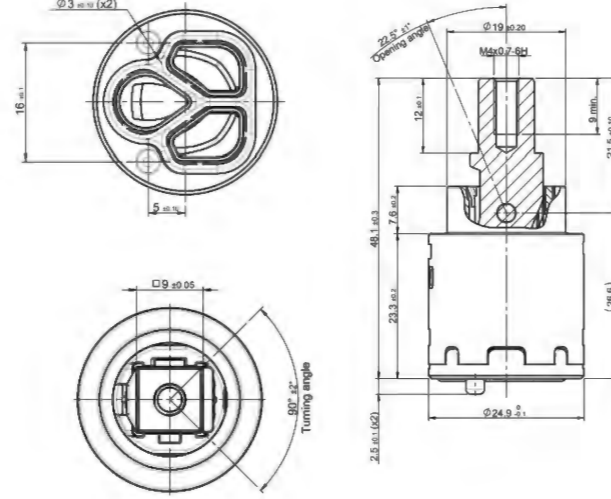
Our metallic levers are designed to provide superior durability and longevity, even in demanding applications. Constructed from high-quality materials, these levers offer a robust feel and ensure precise control of water flow and temperature. Their strength and resistance to wear make them ideal for faucets that require frequent use, delivering a reliable and smooth operation over time. The sleek metallic finish also adds a modern, premium look to any faucet design.

Dimensions

C/D:



S/D:



Versions

	Short base (SD)	Long base (CD)	Opening	Temperature Limiter (TR)	Temperature & Flow limiter (TRN)	Due	Special Function
SN-25	08SN25FGO00	08SN25LGO00	Standard				
SN-25 Cold	08SN25S1503	08SN25L1503	Cold				
SN-25 Cold-Mirror	08SN25S1504	08SN25L1504	Cold-Mirror				
SN-25 High Sensitivity	08SN25S0016	08SN25L0016	Standard				High Sensitivity
SN-25 EcoFlow	08SN25S0002	08SN25L0001	Standard				Ecoflow
SN-25 Metal Lever	08SN25S0008	-	Standard				Metal Lever

Technical Specifications

	SN-25	08SN25FGO00	08SN25LGO00	SN-25 Cold	08SN25S1503	08SN25L1503	SN-25 Due	08SN25S1503	08SN25L1503	SN-25 EcoFlow	08SN25S0002	08SN-25V L0001	SN-25 Metal Lever	08SN25S0008
General														
Prescribed tightening torque ⁽¹⁾		7 - 8 Nm	7 - 8 Nm		7 - 8 Nm			7 - 8 Nm		7 - 8 Nm			7 - 8 Nm	
Opening angle		22,5°	22,5°		22,5°			22,5°		22,5°			22,5°	
Rotation angle		90°	90°		90°			90°		90°			90°	
Working pressure (recommended)		1 - 5 bar	1 - 5 bar		1 - 5 bar			1 - 5 bar		1 - 5 bar			1 - 5 bar	
Burst pressure		> 35 bar	> 35 bar		> 35 bar			> 35 bar		> 35 bar			> 35 bar	< 35 bar
Life cycle- EN 817 ASME		70.000 cycles	70.000 cycles		70.000 cycles			70.000 cycles		70.000 cycles			70.000 cycles	70.000 cycles
112.18.1 M		500.000 cycles	500.000 cycles		500.000 cycles			500.000 cycles		500.000 cycles			500.000 cycles	500.000 cycles
Sensitivity Basin ⁽²⁾		> 10°	> 10°		> 10°			> 12°		> 12°			> 12°	> 10°
Sensitivity Shower ⁽²⁾		8 - 9°	8		> 10°			> 12°		> 12°			> 12°	8 - 9°
Fidelity ⁽²⁾		> 8 °C	> 8 °C		< 5 °C			< 5 °C		< 5 °C			< 5 °C	> 8 °C
Constant 63°C & 50°C (6 l/min - 3l/min) ⁽²⁾		< 4 °C - < 6 °C	< 4 °C - < 6 °C		< 4 °C - < 6 °C			< 4 °C - < 6 °C		< 4 °C - < 6 °C			< 4 °C - < 6 °C	< 4 °C - < 6 °C
Max. hot water		90 °C	90 °C		90 °C			90 °C		90 °C			90 °C	90 °C
Operation Torque														
Open-close		0,2 - 0,4 Nm	0,18 - 0,38 Nm		0,2 - 0,4 Nm			0,2 - 0,4 Nm		0,2 - 0,4 Nm			0,2 - 0,4 Nm	0,1 - 0,4 Nm
Turn at closed		0,1 - 0,3 Nm	0,1 - 0,3 Nm		0,1 - 0,3 Nm			0,1 - 0,3 Nm		0,1 - 0,3 Nm			0,1 - 0,3 Nm	0,1 - 0,4 Nm
Turn at opened		0,15 - 0,35 Nm	0,15 - 0,35 Nm		0,15 - 0,35 Nm			0,15 - 0,35 Nm		0,15 - 0,35 Nm			0,15 - 0,35 Nm	0,1 - 0,4 Nm
Flow rate (free flow)⁽²⁾														
Basin DN8 Free Flow		16,9 l/min	18,2 l/min		12,7 l/min			6,1 l/min		6,1 l/min			6,1 l/min	16,9 l/min
Basin DN8 RhA		11,4 l/min	11,6 l/min		11,2 l/min			5,5 l/min		5,5 l/min			5,5 l/min	11,4 l/min
Shower		13,9 l/min	14,1 l/min											13,9 l/min

⁽¹⁾ The prescribed tightening torque is related to faucet body and nut both in brass material, pitch 1,25mm and no lubricant applied on the threads. For other faucet body - nut material combinations please contact SEDAL.

⁽²⁾ Measured with SEDAL faucet.

EX-25

Upper Sealing



Advantages

Two Opening Angles

The EX25 cartridge offers two distinct opening angles: 0° - +23° and -12.5° - +12.5°, giving manufacturers the flexibility to choose the most suitable option based on lever design requirements. This feature ensures compatibility with different faucet styles, making installation easier and reducing the need for additional adjustments.

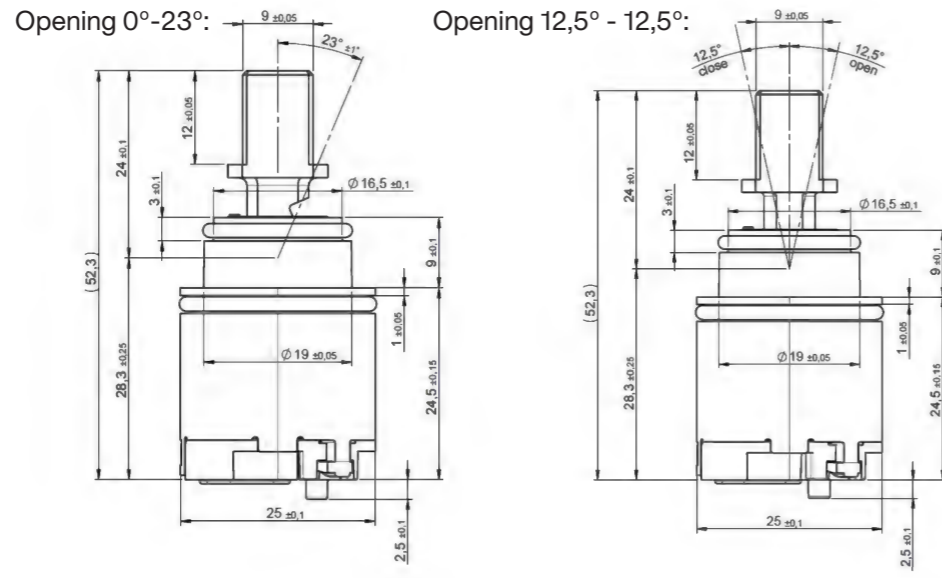
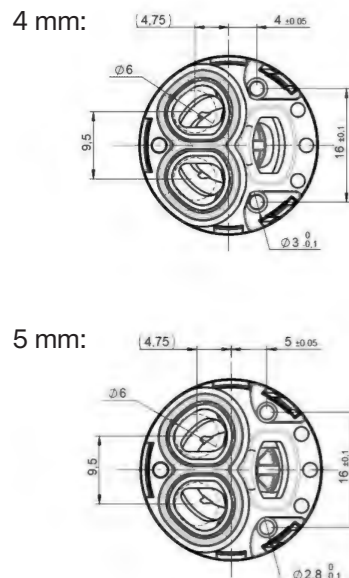
Metal Lever

Our metallic levers are designed to provide superior durability and longevity, even in demanding applications. Constructed from high-quality materials, these levers offer a robust feel and ensure precise control of water flow and temperature. Their strength and resistance to wear make them ideal for faucets that require frequent use, delivering a reliable and smooth operation over time. The sleek metallic finish also adds a modern, premium look to any faucet design.

Flexible Fixation

The different fixation methods, including 4 mm and 5 mm pins, allow manufacturers to choose the best option for each faucet design. These pins provide secure and stable cartridge installation, ensuring precise alignment and reliable operation. The flexibility of these fixation options ensures compatibility with a wide range of faucet models, delivering a high-quality user experience.

Dimensions

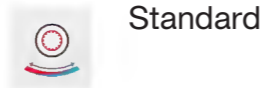


*Both neck sealing version and body sealing version are available

Description

The EX-25 TOP is a high-performance 25mm upper sealing cartridge with free outlets. It offers a wide range of options, including two opening angle ranges and two pin patterns, ensuring maximum compatibility. With its small diameter, the EX-25 TOP allows manufacturers to design faucets with a smaller footprint, enabling brass-saving products while maintaining premium performance and meeting industry standards.

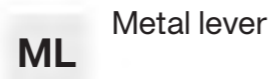
Opening



Certifications

KTW WRAS ACS

Technologies



Versions

	4 mm pin	5 mm pin	Opening	Temperature Limiter (TR)	Temperature & Flow limiter (TRN)	Due	Special Function
EX-25 TOP 0° - 23°	08EX25L0001	08EX25L0003	Standard				
EX-25 TOP 12,5° - 12,5°	08EX25L0002	08EX25L0004	Standard				

Technical Specifications

	EX-25 TOP 12,5° - 12,5° 08EX25L0002 08EX25L0004	EX-25 TOP 0° - 23° 08EX25L0001 08EX25L0003
General		
Prescribed tightening torque ⁽¹⁾	7 - 8 Nm	7 - 8 Nm
Opening angle	12,5 - 12,5	0° - 23°
Rotation angle	100°	100°
Working pressure (recommended)	1 - 5 bar	1 - 5 bar
Burst pressure	> 50 bar	> 50 bar
Life cycle - EN 817NF-077 U3	175.000 cycles	175.000 cycles
- 3X ASME 112.18.1 M	1.500.000 cycles	1.500.000 cycles
- 3X GB18145	210.000 cycles	210.000 cycles
Sensitivity (DN8) ⁽²⁾	> 12°	> 12°
Fidelity ⁽²⁾	< 5 °C	< 5 °C
Constant 63°C & 50°C (6 l/min - 3l/min) ⁽²⁾	< 4 °C - < 6 °C	< 4 °C - < 6 °C
Max. hot water	90 °C	90 °C
Operation Torque		
Open-close	0,15 - 0,35 Nm	0,15 - 0,35 Nm
Left - Right	0,15 - 0,35 Nm	0,15 - 0,35 Nm
Flow rate (free flow)⁽²⁾		
Free Flow	12,3 l/min	12,3 l/min
RhA	9,5 l/min	9,5 l/min
Acoustic (NF077) RhA 3bar	Group 1	Group 1

⁽¹⁾ The prescribed tightening torque is related to faucet body and nut both in brass material, pitch 1,5mm and no lubricant applied on the threads. For other faucet body - nut material combinations please contact SEDAL.

⁽²⁾ Measured with SEDAL faucet.

EX-25 Piano

Upper Sealing



Description

The EX-25 PIANO is a high-performance 25 mm open/close cartridge specifically designed for shower trays with front “piano key” outlet selection. It combines smooth operation, premium tactile feedback, and outstanding durability, offering an innovative and reliable solution for modern shower systems.

Advantages

Premium user experience

Enjoy an intuitive and comfortable user experience with smooth operation and a satisfying “click” feedback, making outlet selection easier and more precise—even with wet or slippery hands.

Technologies



Click

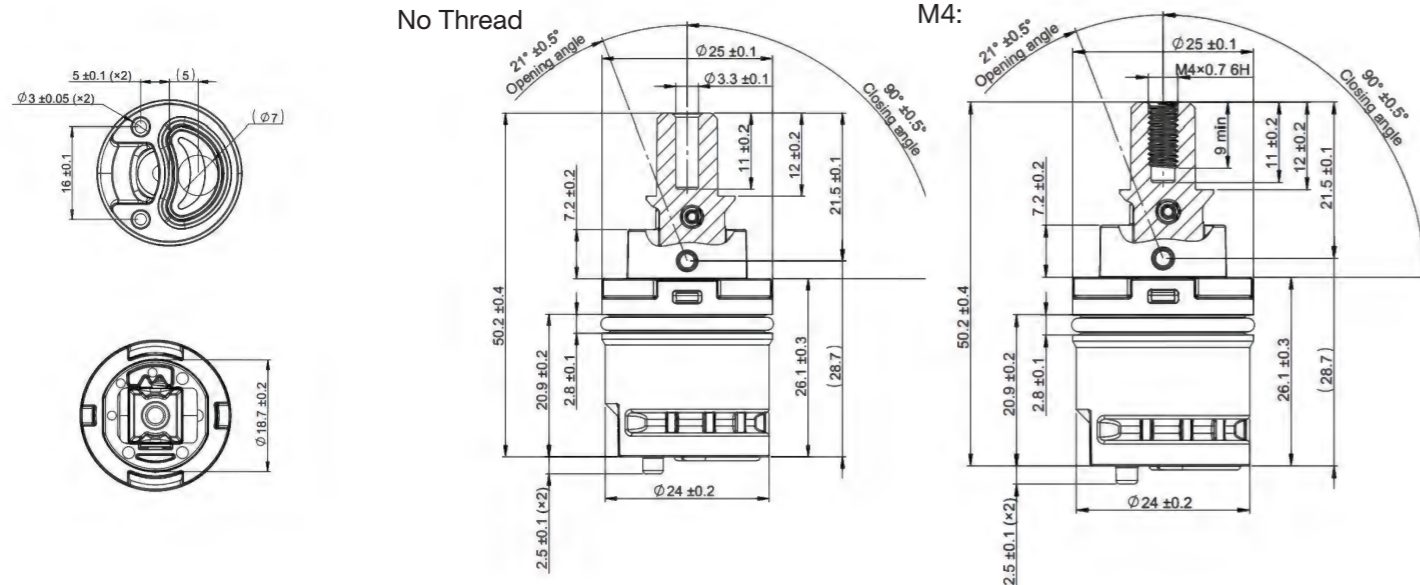
Superior performance

Delivers outstanding hydraulic performance with up to +35% higher flow rate and excellent pressure resistance, ensuring consistent and efficient water delivery under all conditions.

Long-lasting reliability

Built for durability, the EX-25 PIANO offers enhanced endurance and tight tolerance control, guaranteeing long product life, stable operation, and reliable performance over time.

Dimensions



Versions

	No Thread	M4	Opening	Temperature Limiter (TR)	Temperature & Flow limiter (TRN)	Due	Special Function
EX-25 Piano	08EX25L0007	08EX25L0016	Standard				

Technical Specifications

	EX-25 Piano	08EX25L0007 08EX25L0016
General		
Prescribed tightening torque ⁽¹⁾	7 - 8 Nm	
Opening angle	21°	
Rotation angle	0°	
Working pressure (recommended)	1 - 5 bar	
Burst pressure	> 35 bar	
Life cycle - EN 817 / NF-077 U3	200.000 cycles	
- 3X ASME 112.18.1 M	500.000 cycles	
- 3X GB 18145	200.000 cycles	
Noise acc. EN-817 (Basin Class Z, Shower Class A) ⁽¹⁾	Acoustic Group I < 20 dB	
Max. hot water	90 °C	
Operation Torque		
Open-close	0,08 - 0,2 Nm	
Flow rate (free flow)⁽²⁾		
Free Flow	23,1 l/min	
B - Restrictor	14,1 l/min	

⁽¹⁾ The prescribed tightening torque is related to faucet body and nut both in brass material, pitch 1,25mm and no lubricant applied on the threads. For other faucet body – nut material combinations please contact SEDAL.

⁽²⁾ Measured with SEDAL faucet.



GC-25

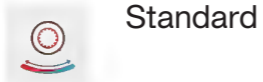
Upper Sealing



Description

Upper sealed cartridges from Sedal provide manufacturers with the versatility to design a wide range of faucet configurations, setups where the spout is located on the upper side. These cartridges feature a strong metal lever, offering enhanced durability and extended lifespan, perfect for high-demand applications. Their innovative design also boosts productivity, making them a reliable solution for modern faucet systems.

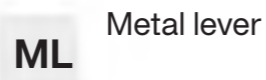
Opening



Certifications



Technologies



Advantages

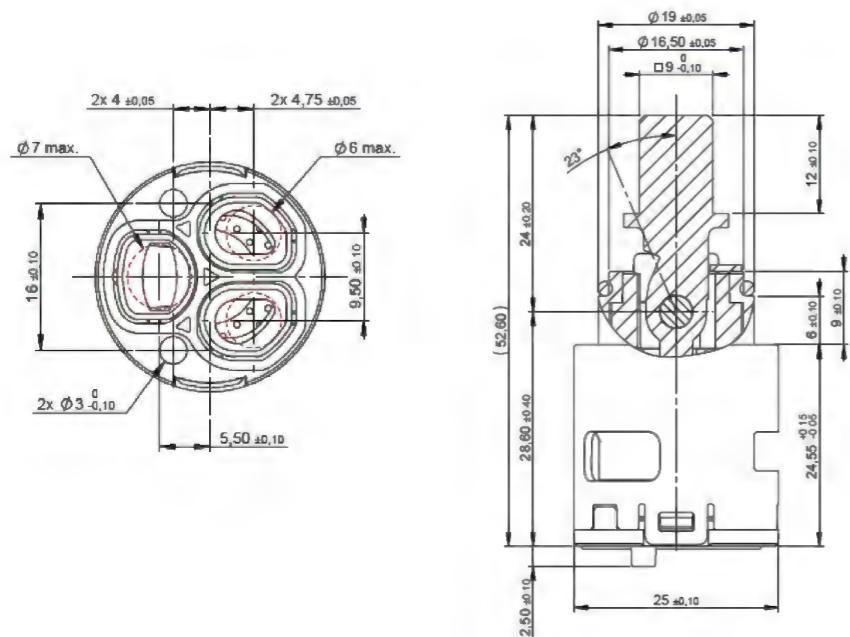
High Flow and Compliance with EN817 or ASME Standards

The GC-25 Trialox delivers high flow while ensuring full compliance with EN817 or ASME cycling standards, maintaining consistent torque and comfort throughout its operation.

DLC Coated Ceramics

A Diamond Coated ceramic set is available as an option, offering improvement in operation torque, life expectancy, and a reduction in chatter effect under extremely high temperatures.

Dimensions



Versions

	GC Upper Sealing	EX Upper Sealing	CC Upper Sealing	C Upper Sealing	G Upper Sealing	Opening	Temperature Limiter (TR)	Temperature & Flow limiter (TRN)	Due	Special Function
GC-25 Metal Lever	08GC25S0009	-	-	-	-	Standard				
GC-25 Metal Lever DLC	08GC25S0011	-	-	-	-	Standard				
GC-25 Metal Lever Closed Ceramic	08GC25S0012	-	-	-	-	Standard				
GC-25 Metal Lever Closed DLC	08GC25S0013	-	-	-	-	Standard				
GC-25 Metal Lever Split	08GC25S0017	-	-	-	-	Standard				

Technical Specifications

	GC-25 Metal Lever	08GC25S0009	GC-25 Metal Lever Closed Ceramic	08GC25S0012
	GC-25 Metal Lever DLC	08GC25S0011	GC-25 Metal Lever Closed DLC	08GC25S0013
	GC-25 Metal Lever Split	08GC25S0017		
General				
Prescribed tightening torque ⁽¹⁾		7 - 8 Nm		7 - 8 Nm
Opening angle		23°		23°
Rotation angle		90°		90°
Working pressure (recommended)		1 - 5 bar		1 - 5 bar
Burst pressure		> 35 bar		> 35 bar
Life cycle - EN 817 - ASME 112.18.1 M		70.000 cycles		70.000 cycles
		500.000 cycles		500.000 cycles
Sensitivity ⁽²⁾		>9°		>9°
Fidelity ⁽²⁾		< 5 °C		< 5 °C
Constant 63°C & 50°C (6 l/min - 3l/min) ⁽²⁾		< 4 °C - < 6 °C		< 4 °C - < 6 °C
Max. hot water		90 °C		90 °C
Operation Torque				
Open-close		0,15 - 0,3 Nm		0,15 - 0,3 Nm
Turn left - right		0,15 - 0,3 Nm		0,15 - 0,3 Nm
Flow rate (free flow)⁽²⁾				
Free Flow		15 l/min		14,2 l/min
A - Restrictor		10 l/min		
B - Restrictor		12,3 l/min		11,5 l/min

⁽¹⁾ The prescribed tightening torque is related to faucet body and nut both in brass material, pitch 1,25mm and no lubricant applied on the threads. For other faucet body - nut material combinations please contact SEDAL.

⁽²⁾ Measured with SEDAL faucet.

GI-25

Revolving



Description

The GI25 revolving cartridge is engineered to first regulate water flow, with temperature control coming into play at the end of the lever's rotation. This design ensures that the water flow is optimized before temperature adjustments are made, offering a structured and controlled faucet operation.

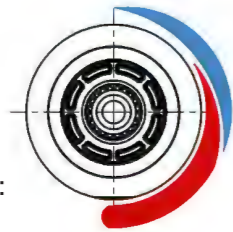
Advantages

Single Movement control

The GI25 revolving cartridge is designed to regulate both water flow and temperature in a single, smooth movement. As the lever is turned, the cartridge first adjusts the flow, followed by precise temperature control. This seamless operation simplifies the user experience by integrating both functions into one continuous motion, making it highly efficient and easy to use.

Cold-start technology in revolving movement

The GI25 revolving cartridge is designed with a 180° rotation, starting in cold water by default. This energy-saving feature helps reduce unnecessary hot water usage, making it more efficient for everyday applications. As the lever rotates from cold to hot, the cartridge ensures smooth water flow regulation and precise temperature control, offering both performance and sustainability in a single movement.



Opening Angle 180°:

Opening

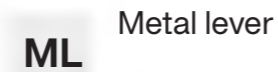


Revolving

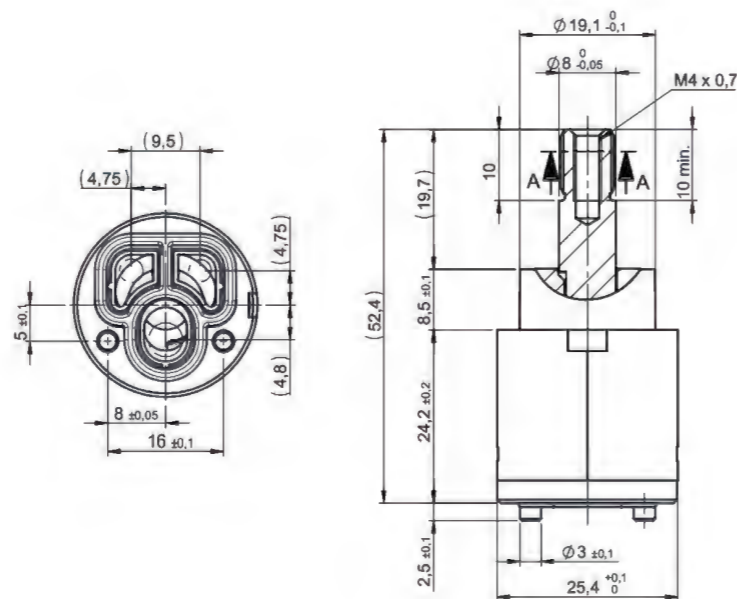
Certifications



Technologies



Dimensions



Versions

	Short base (S/D)	Long base (C/D)	Opening	Temperature Limiter (TR)	Temperature & Flow limiter (TRN)	Due	Special Function
GI-25 S/D Metal Lever	08GI25S0002	-	Revolving				

Technical Specifications

GI-25 S/D Metal Lever 08GI25S0002	
General	
Prescribed tightening torque ⁽¹⁾	7 - 8 Nm
Rotation angle	180°
Working pressure (recommended)	1 - 5 bar
Burst pressure	> 25 bar
Life cycle - EN 817 / NF-077 U3	200.000 cycles
- ASME 112.18.1 M	500.000 cycles
Max. hot water	90 °C
Operation Torque	
Turn left - right	0,15 - 0,35 Nm
Flow rate 3 bar ⁽²⁾	
Free Flow	9,6 l/min
B - Restrictor	9,2 l/min

⁽¹⁾ The prescribed tightening torque is related to faucet body and nut both in brass material, pitch 1,25mm and no lubricant applied on the threads. For other faucet body – nut material combinations please contact SEDAL.

⁽²⁾ Measured with SEDAL faucet.

JY-25

Joystick



Description

Popular in many countries, joystick cartridges offer a natural and intuitive movement, particularly with vertical levers. Sedal's JY25 is a compact joystick cartridge, specifically developed for slim faucet bodies and cascade tap designs. Its design ensures precise control and smooth operation, making it ideal for modern, minimalist faucet configurations.

Opening



Standard

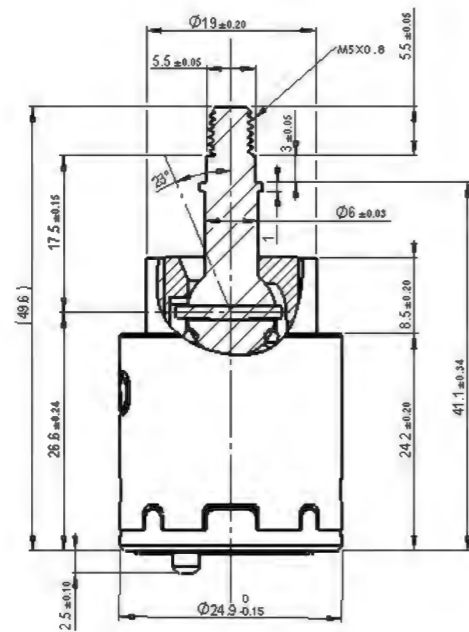
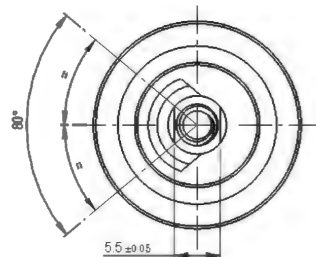
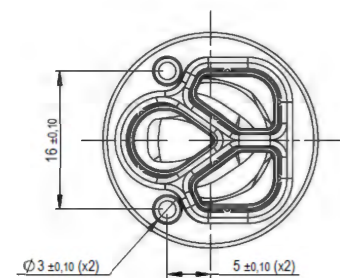
Certifications



Technologies

ML Metal lever

Dimensions



Versions

	Short base (S/D)	Long base (C/D)	Opening	Temperature Limiter (TR)	Temperature & Flow limiter (TRN)	Due	Special Function
JY-25 Metal Lever	08JY25S0002	-	Standard				

Technical Specifications

	JY-25 Metal Lever	08JY25S0002
General		
Prescribed tightening torque ⁽¹⁾		7 - 8 Nm
Opening angle		23°
Rotation angle		80°
Working pressure (recommended)		1 - 5 bar
Burst pressure		> 35 bar
Life cycle - EN 817		70.000 cycles
Max. hot water		90 °C
Operation Torque		
Open-close		0,15 - 0,3 Nm
Flow rate (free flow)⁽²⁾		
Free Flow		14,4 l/min

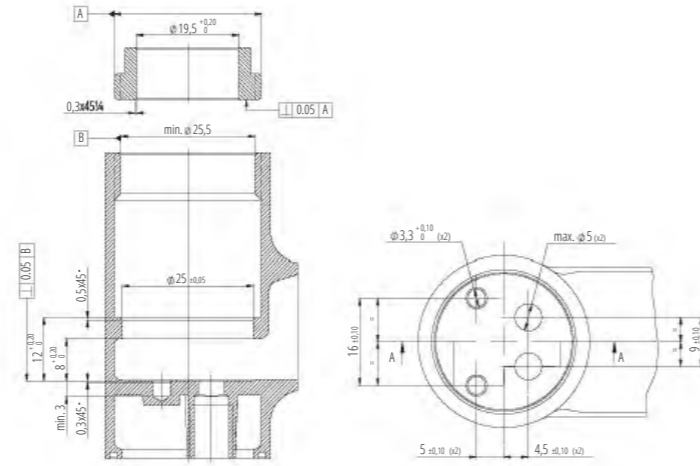
⁽¹⁾ The prescribed tightening torque is related to faucet body and nut both in brass material, pitch 1,25mm and no lubricant applied on the threads. For other faucet body – nut material combinations please contact SEDAL.

⁽²⁾ Measured with SEDAL faucet.

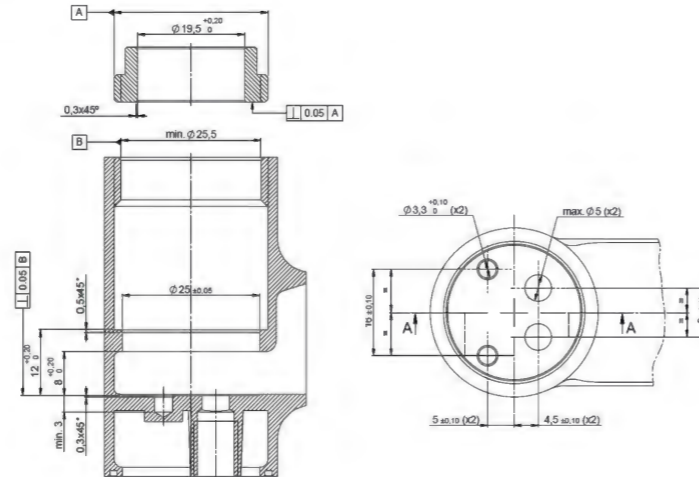
Mechanical Requirements

25 mm

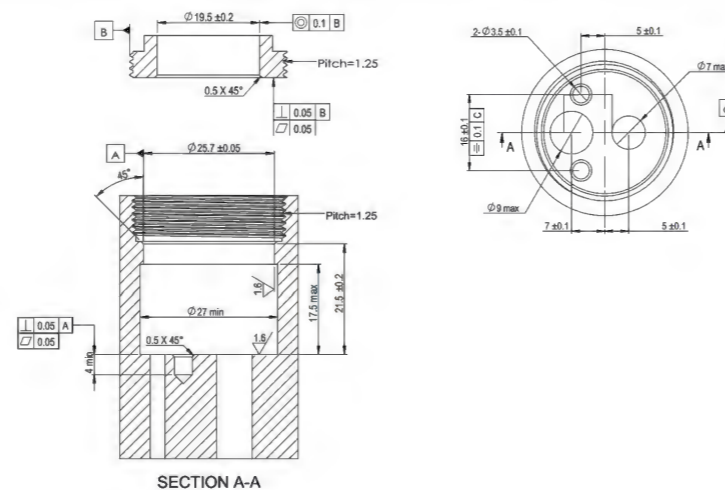
Cartridge	Reference	Pg	Machining tips
EN-25 TOP C/D	08EN25L0001	17	
EN-25 TOP C/D Due	08EN25L3001	17	
EN-25 TOP C/D Cold	08EN25L1501	17	
EN-25 TOP C/D Cold Due	08EN25L2001	17	
EN-25 TOP C/D Cold-Mirror	08EN25L1502	17	
EN-25 TOP C/D Cold-Mirror Due	08EN25L2002	17	
SN-25 C/D	08SN25LGO00	19	
SN-25 C/D Cold	08SN25L1503	19	
SN-25 C/D Cold-Mirror	08SN25L1504	19	
SN-25 C/D EcoFlow	08SN25L0001	19	
SN-25 C/D High Sensitivity	08SN25L0016	19	



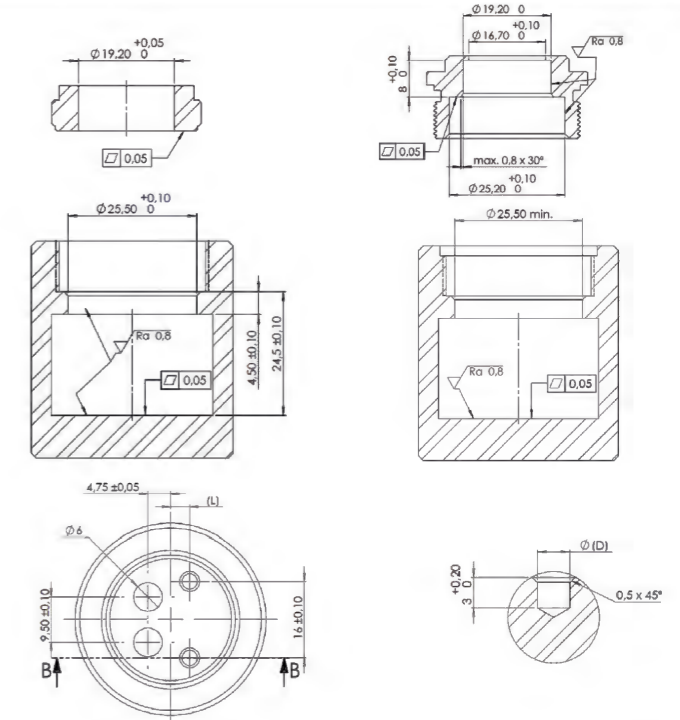
Cartridge	Reference	Pg	Machining tips
EN-25 TOP S/D	08EN25S0001	17	
EN-25 TOP S/D Due	08EN25S3001	17	
EN-25 TOP S/D Cold	08EN25S1501	17	
EN-25 TOP S/D Cold Due	08EN25S2001	17	
EN-25 TOP S/D Cold-Mirror	08EN25S1502	17	
EN-25 TOP S/D Cold-Mirror Due	08EN25S2002	17	
SN-25 S/D	08SN25FGO00	19	
SN-25 S/D Cold	08SN25S1503	19	
SN-25 S/D Cold-Mirror	08SN25S1504	19	
SN-25 S/D EcoFlow	08SN25S0002	19	
SN-25 S/D High Sensitivity	08SN25S0016	19	
GI-25 S/D	08GI25S0002	27	
JY-25 S/D	08JY25S0002	29	



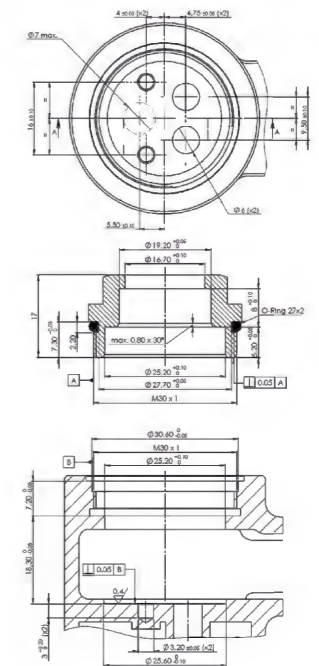
Cartridge	Reference	Pg	Machining tips
EX-25 Plano	08EX25L0007	23	
EX-25 Plano M4	08EX25L0016	23	



Cartridge	Reference	Pg	Machining tips
EX-25 TOP C/D 12,5° - 12,5° (4 mm)	08EX25L0001	21	
EX-25 TOP C/D 0° - 23° (4 mm)	08EX25L0002	21	
EX-25 TOP C/D 0° - 23° (5 mm)	08EX25L0003	21	
EX-25 TOP C/D 12,5° - 12,5° (5 mm)	08EX25L0004	21	



Cartridge	Reference	Pg	Machining tips
GC-25 S/D Metal Lever	08GC25S0009	25	
GC-25 S/D Metal Lever Closed C.	08GC25S0012	25	
GC-25 S/D Metal Lever DLC	08GC25S0011	25	
GC-25 S/D Metal Lever Closed DLC	08GC25S0013	25	
GC-25 S/D Metal Lever Split	08GC25S0017	25	



26-28 mm

The slimmest designs available from Sedal. We work to offer you a wide range of possibilities that not only help manufacturers with design and low-cost materials, but also allow them to incorporate many features and functionalities, such as EcoFlow, SN, EN (soft & hard movement), upper or lower sealing, and plastic or metal levers.

Choose among four sizes or ask us for your preferences.

EX-26 TOP with metal lever & 2 sealing options



Cartridges for single lever faucets

16 products
3 sizes

26 mm

Upper Sealing

EX-26



Name	Code	Page
EX-26	08EX26L0001	37
EX-26 Short	08EX26L0003	37
EX-26 Short Cold	08EX26L1501	37

27 mm

Upper Sealing

EX-27 TOP



Name	Code	Page
EX-27 TOP	08EX27L0002	41
EX-27 TOP Due	08EX27L3002	41
EX-27 TOP Cold	08EX27L1502	41
EX-27 TOP Cold Due	08EX27L2002	41

28 mm

Regular

SN-28



Name	Code	Page
SN-28 Cold-Mirror	08SN28S0002	45

Upper Sealing

EX-28 TOP



Name	Code	Page
EX-28 TOP TR	08EX28L0501	47
EX-28 TOP TR Due	08EX28L3501	47
EX-28 TOP Cold TR	08EX28L2501	47
EX-28 TOP Cold TR Due	08EX28L5001	47
EX-28 TOP Cold-Mirror TR	08EX28L2502	47
EX-28 TOP Cold-Mirror TR Due	08EX28L5002	47
EX-28 TOP TR Ecoflow	08EX28L0503	47
EX-28 TOP Cold TR Ecoflow	08EX28L2504	47

CC-28 TOP



Name	Code	Page
CC-28 TOP	08CC28L0501	49
CC-28 TOP Cold	08CC28L2501	49

EX-28



Name	Code	Page
EX-28	08EX28L0002	51

Mechanical Requirements 53

Single lever faucets

Sedal

Ex-26 Short Cold

26 mm Cartridge



EX-26

Upper Sealing



Description

This small diameter upper sealing cartridge is designed to create slim faucets with a high sealing position, perfect for modern designs. Made with high-degree thermoplastics, it fulfills major standards and is built to last. Additionally, the bottom part of the cover is crafted from a single piece, ensuring watertight integrity and preventing any water from entering, offering durability and reliability in every application.

Opening



Standard



Cold

Advantages

Sleek and High Performance

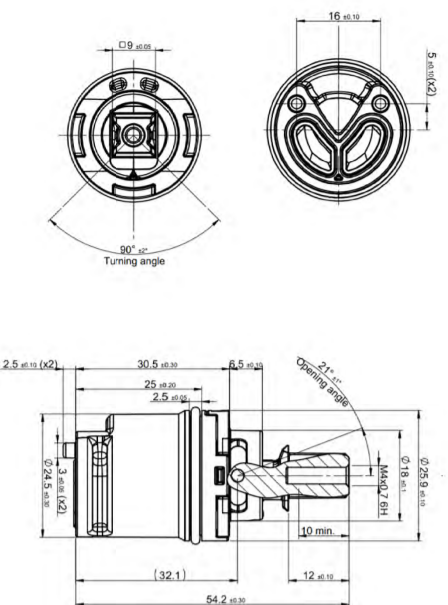
The EX26 cartridges' compact design enables manufacturers to create sleek, minimalist faucets without compromising on high-performance features. Despite its small size, the EX26 delivers reliable operation, maintaining the premium performance expected in modern faucet systems.

Strong Materials

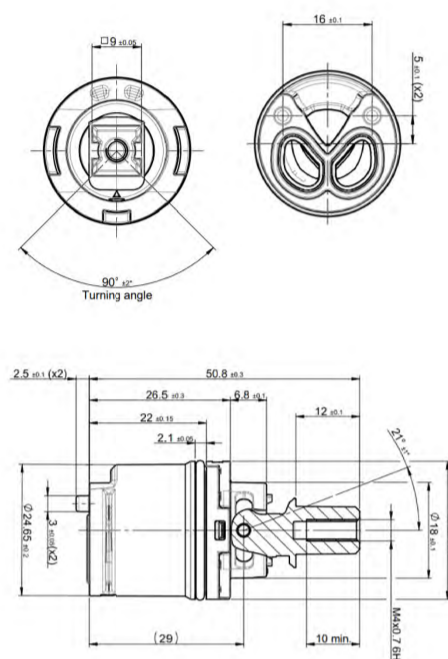
Constructed with strong and long-lasting materials, these cartridges are designed to provide the best user experience

Dimensions

EX-26:



EX-26 Short:



Versions

	GC Upper Sealing	EX Upper Sealing	CC Upper Sealing	G Upper Sealing	Opening	Temperature Limiter (TR)	Temperature & Flow limiter (TRN)	Due	Special Function
EX-26	-	08EX26L0001	-	-	Standard				
EX-26 Short	-	08EX26L0003	-	-	Standard				
EX-26 Short Cold	-	08EX26L1501	-	-	Cold				

Technical Specifications

	EX-26	EX-26 Short	EX-26 Short Cold
General	08EX26L0001	08EX26L0003	08EX26L1501
Nut torque M1,5	7 - 8 Nm		7 - 8 Nm
Opening angle	21°		21°
Rotation angle	90°		90°
Working pressure (recommended)	1 - 5 bar		1 - 5 bar
Burst pressure	> 35 bar		> 35 bar
Life cycle - EN 817	140,000 cycles		140,000 cycles
Life cycle - X3 GB-18145	140,000 cycles		140,000 cycles
Sensitivity	> 12°		> 12°
Fidelity	< 5 °C		< 5 °C
Acoustic (NF077) RhA 3 bar	Group I		Group I
Constant 63°C & 50°C (l/min - 3l/min)	< 4 °C - < 6 °C		< 4 °C - < 6 °C
Max. hot water	90 °C		90 °C
Operation Torque			
Open-close	0.15 - 0.4 Nm		0.15 - 0.4 Nm
Turn at closed	0.1 - 0.4 Nm		0.1 - 0.4 Nm
Turn at opened	0.1 - 0.4 Nm		0.1 - 0.4 Nm
Flow rate @ 3 bar			16 l/min
Basin Free Flow			15 l/min

Single lever faucets

Sedal

27 mm
Cartridge



EX-27 TOP

Upper Sealing



Description

The EX-27 cartridge offers a unique slim design, positioned between the 35mm and 25mm faucet options, allowing manufacturers to maintain sleek aesthetics without sacrificing performance. Thanks to high-grade ceramics, it delivers exceptionally smooth operational movement while meeting the stringent NF-007 standard.

In addition to its slim profile, the EX-27 provides a higher flowrate, offering greater flexibility in faucet configurations. With its upper sealing design, manufacturers can work with a variety of faucet setups, ensuring both design versatility and reliable performance.

Type



Standard



Cold

Advantages

Supports Multiple Faucet Configuration

Enables manufacturers to design various faucet configurations, including those with the spout positioned on the upper side.

Strong Materials

Constructed with strong and long-lasting materials, these cartridges are designed to provide the best user experience

Smooth Operation

These cartridges offer up to 3 times smoother operation than most standard mechanical cartridges, providing a even feel when operated. Enjoy smooth performance even under very hot water conditions.

Certifications

KTW

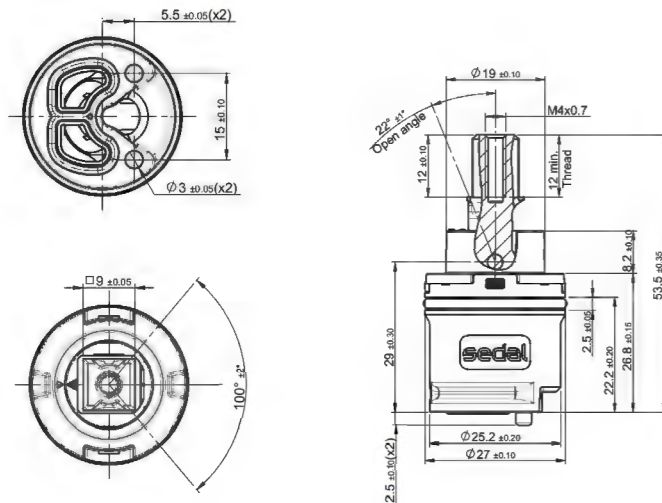
ACS

Technologies



Due

Dimensions



Versions

	GC Upper Sealing	EX Upper Sealing	CC Upper Sealing	G Upper Sealing	Opening	Temperature Limiter (TR)	Temperature & Flow limiter (TRN)	Due	Special Function
EX-27 TOP	-	08EX27L0002	-	-	Standard				
EX-27 TOP Due	-	08EX27L3002	-	-	Standard			x	
EX-27 TOP Cold	-	08EX27L1502	-	-	Cold				
EX-27 TOP Cold Due	-	08EX27L2002	-	-	Cold			x	

Technical Specifications

	EN-27 TOP	08EX27L0002	EX-27 TOP Cold	08EX27L1502
	EX-27 TOP Due	08EX27L3002	EX-27 TOP Cold Due	08EX27L2002
General				
Nut torque M1,5		7 - 8 Nm		7 - 8 Nm
Opening angle		22°		22°
Rotation angle		100°		90°
Working pressure (recommended)		1 - 5 bar		1 - 5 bar
Burst pressure		> 50 bar		> 50 bar
Life cycle- EN 817 NF - 077 U3		175.000 cycles		175.000 cycles
x3 ASME 112.18.1 M		1.500.000 cycles		1.500.000 cycles
x3 GB-18145		210.000 cycles		210.000 cycles
Sensitivity		> 16°		> 16°
Fidelity		< 5 °C		< 5 °C
Constant 63°C & 50°C (6 l/min - 3l/min)		< 4 °C - < 6 °C		< 4 °C - < 6 °C
Max. hot water		90 °C		90 °C
Operation Torque				
Open-close		0,2 - 0,4 Nm		0,2 - 0,4 Nm
Turn at closed		0,15 - 0,3 Nm		0,15 - 0,3 Nm
Turn at opened		0,2 - 0,35 Nm		0,2 - 0,35 Nm
Flow rate (free flow)				
Basin DN8 Free Flow		12,5 l/min		13,8 l/min

Single lever faucets

Sedal

28 mm

Cartridge



SN-28

Regular



Description

The SN-28 cartridge offers a balanced design between 35mm and 25mm options, providing a slim profile without being as thin as 25mm cartridges. It features remarkably smooth operational movement, thanks to a clutched ceramic system and high-grade ceramics. This design ensures up to 40% softer lever operation compared to standard cartridges, enhancing user comfort.

Ideal for both kitchen and bathroom basin faucets, the SN28 cartridge combines versatility with premium performance, making it a great choice for modern faucet designs.

Advantages

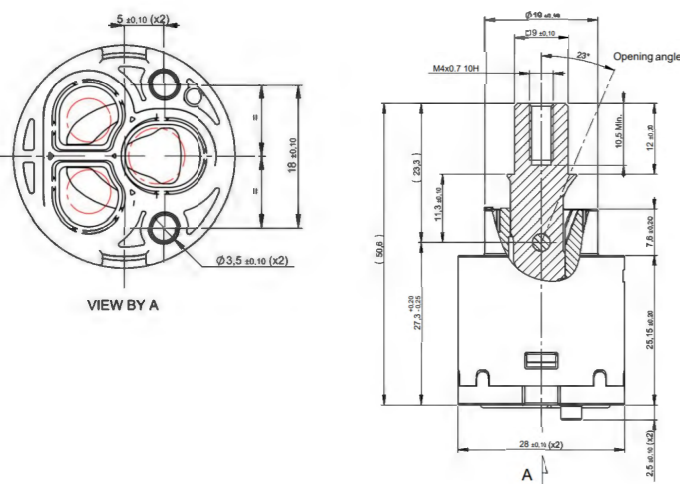
Sleek and High Performance

The SN28 cartridge's compact design enables manufacturers to create sleek, minimalistic faucets without compromising on high-performance features. Despite its small size, the SN28 delivers reliable operation, maintaining the premium performance expected in modern faucet systems.

Smooth operation

These cartridges offer up to 3 times smoother operation than most standard mechanical cartridges, providing a even feel when operated. Enjoy smooth performance even under very hot water conditions.

Dimensions



Versions

	Short base (SD)	Long base (CD)	Opening	Temperature Limiter (TR)	Temperature & Flow limiter (TRN)	Due	Special Function
SN-28	08SN28S0002	-	Standard				

Technical Specifications

	SN-28	08SN28S0002
General		
Nut torque ⁽¹⁾		7 - 8 Nm
Opening angle		23°
Rotation angle		100°
Working pressure (recommended)		1 - 5 bar
Burst pressure		> 35 bar
Life cycle - ASME 112.18.1 M		500.000 cycles
Sensitivity ⁽²⁾		> 10°
Fidelity ⁽²⁾		< 5 °C
Constant 63° (6 l/min - 3 l/min) ⁽²⁾		< 4 °C - 6 °C
Max. hot water		90 °C
Operation Torque		
Open-close		0,15 - 0,5 Nm
Turn at closed		0,15 - 0,5 Nm
Turn at opened		0,15 - 0,5 Nm
Flow rate @ 3 bar ⁽²⁾		
Free Flow		20,3 l/min
A-restrictor		11,2 l/min

⁽¹⁾ The prescribed tightening torque is related to faucet body and nut both in brass material, pitch 1,5 mm and no lubricant applied on the threads. For other faucet body - nut material combinations please contact SEDAL.

⁽²⁾ Measured with SEDAL faucet.

Opening



Standard

Certifications



Technologies



Due

EX-28 TOP

Upper Sealing



Description

The TOP EX-28 cartridge provides smooth operational movement thanks to high-grade ceramics and is specially designed to meet the NF-007 standard. Its upper sealing design offers manufacturers greater flexibility in faucet configurations, particularly where the spout is positioned on the upper side. Built with strong materials, the EX-28 ensures reliable performance and long-lasting durability, making it ideal for modern faucet systems.

Opening



Standard



Cold-Mirror



Cold

Advantages

Noise performance

TOP cartridges operate at less than 20dB, which is 20% quieter than the average in its market segment and even its closest competitor. This reduced noise level ensures a quieter user experience, making it ideal for applications where sound reduction is important.

Strong Materials

Constructed with strong and long-lasting materials, these cartridges are designed to provide the best user experience

Certifications

KTW

WRAS

ACS

Water Mark

Technologies



TR

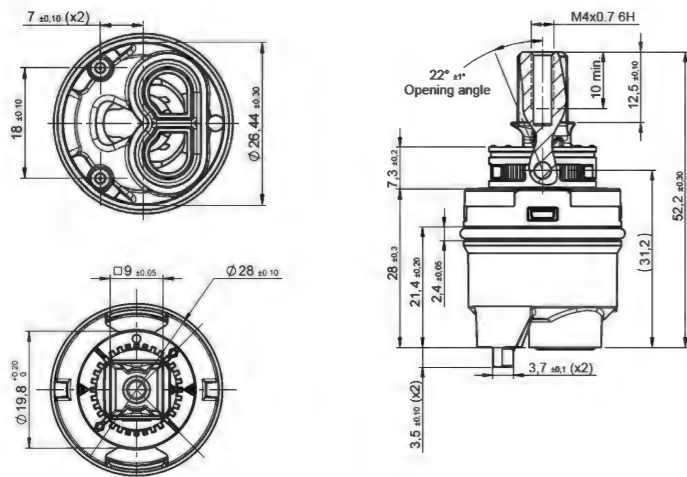


EcoFlow



Due

Dimensions



Versions

	GC Upper Sealing	EX Upper Sealing	CC Upper Sealing	G Upper Sealing	Opening	Temperature Limiter (TR)	Temperature & Flow limiter (TRN)	Due	Special Function
EX-28 TOP TR	-	08EX28L0501	-	-	Standard	x			
EX-28 TOP TR Due	-	08EX28L3501	-	-	Standard	x		x	
EX-28 TOP Cold TR	-	08EX28L2501	-	-	Cold	x			
EX-28 TOP Cold TR Due	-	08EX28L5001	-	-	Cold	x		x	
EX-28 TOP Cold-Mirror TR	-	08EX28L2502	-	-	Cold-Mirror	x			
EX-28 TOP Cold-Mirror TR Due	-	08EX28L5002	-	-	Cold-Mirror	x		x	
EX-28 TOP TR Ecoflow	-	08EX28L0503	-	-	Standard	x			EcoFlow
EX-28 TOP Cold TR Ecoflow	-	08EX28L2504	-	-	Cold	x			EcoFlow

Technical Specifications

	EX-28 TOP TR	08EX28L0501	EX-28 TOP Cold-Mirror TR	08EX28L2502	EX-28 TOP TR EcoFlow	08EX28L0503	EX-28 TOP Cold TR Eco-Flow	08EX28L2504
General								
Nut torque ⁽¹⁾		7 - 8 Nm		7 - 8 Nm		7 - 8 Nm		7 - 8 Nm
Opening angle		22°		22°		22°		22°
Rotation angle		90°		93°		90°		90°
Working pressure (recommended)		1 - 5 bar		1 - 5 bar		1 - 5 bar		1 - 5 bar
Burst pressure		> 35 bar		> 35 bar		> 35 bar		> 35 bar
Life cycle - EN 817		175.000 cycles		175.000 cycles		175.000 cycles		175.000 cycles
x3 GB-18145		1.000.000 cycles		1.000.000 cycles		1.000.000 cycles		1.000.000 cycles
		140.000 cycles		140.000 cycles		140.000 cycles		140.000 cycles
Sensitivity ⁽²⁾		> 12°		> 12°		> 12°		> 12°
Fidelity ⁽²⁾		< 5 °C		< 5 °C		< 5 °C		< 5 °C
Acoustic (EN 817) ⁽²⁾		Group I		Group I		Group I		Group I
		< 20 dB		< 20 dB		< 20 dB		< 20 dB
Constant 63°C & 50°C ⁽²⁾ (6 l/min - 3l/min)		< 4 °C - < 6 °C		< 4 °C - < 6 °C		< 4 °C - < 6 °C		< 4 °C - < 6 °C
Max. hot water		90 °C		90 °C		90 °C		90 °C
Operation Torque								
Open-close		0,15 - 0,3 Nm		0,15 - 0,3 Nm		0,15 - 0,3 Nm		0,15 - 0,3 Nm
Turn at closed		0,15 - 0,3 Nm		0,15 - 0,3 Nm		0,15 - 0,3 Nm		0,15 - 0,3 Nm
Turn at opened		0,15 - 0,3 Nm		0,15 - 0,3 Nm		0,15 - 0,3 Nm		0,15 - 0,3 Nm
Flow rate @ 3 bar ⁽²⁾								
Free Flow		14 l/min		14 l/min		4,8 l/min		4,8 l/min
Class B		12,2 l/min		12,2 l/min		-		-

⁽¹⁾ The prescribed tightening torque is related to faucet body and nut both in brass material, pitch 1,5 mm and no lubricant applied on the threads. For other faucet body - nut material combinations please contact SEDAL.

⁽²⁾ Measured with SEDAL faucet.

CC-28 TOP

Upper Sealing



Description

The CC-28 TOP is a 28 mm upper-sealed cartridge featuring a compact diameter and M8 threads, offering manufacturers enhanced flexibility in faucet design. Its optimized design ensures excellent balance, high productivity, and outstanding durability for long-lasting performance.

Opening



Standard



Cold

Certifications

KTW

WRAS

ACS

Water Mark

Technologies

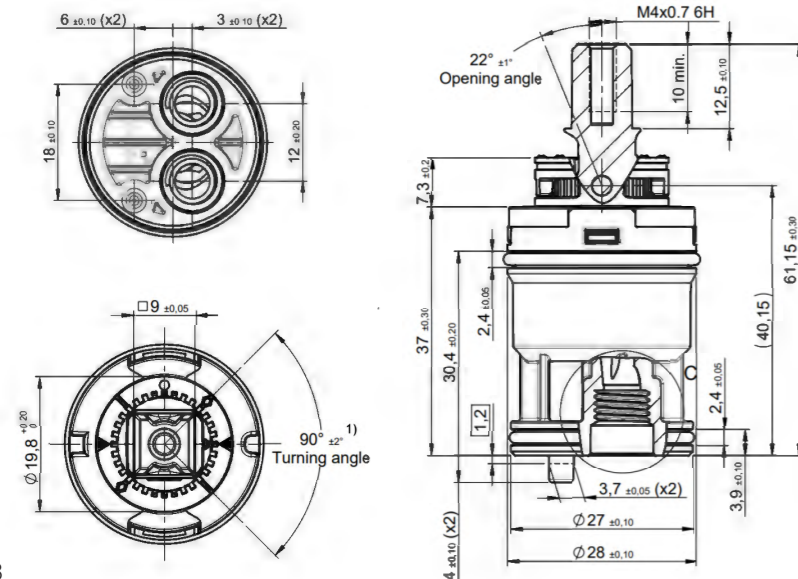


TR



Due

Dimensions



Versions

	GC Upper Sealing	EX Upper Sealing	CC Upper Sealing	G Upper Sealing	Opening	Temperature Limiter (TR)	Temperature & Flow limiter (TRN)	Due	Special Function
CC-28 TOP	-	08CC28L0501	-	-	Standard	x			
CC-28 TOP Cold	-	08CC28L2501	-	-	Cold	x			

Technical Specifications

	CC-28 TOP	08CC28L0501
	CC-28 TOP Cold	08CC28L2501
General		
Nut torque ⁽¹⁾	7 - 8 Nm	
Opening angle	22°	
Rotation angle	90°	
Working pressure (recommended)	1 - 5 bar	
Burst pressure	> 35 bar	
Life cycle - EN 817	175.000 cycles	
x3 GB-18145	1.000.000 cycles	
	140.000 cycles	
Sensitivity ⁽²⁾		
Sensitivity ⁽²⁾	> 12°	
Fidelity ⁽²⁾	< 5 °C	
Acoustic (EN 817) ⁽²⁾		
Acoustic (EN 817) ⁽²⁾	Group I	
	< 20 dB	
Constant 63°C & 50°C ⁽²⁾		
Constant 63°C & 50°C ⁽²⁾	< 4 °C - < 6 °C	
(6 l/min - 3l/min)		
Max. hot water	90 °C	
Operation Torque		
Open-close	0,15 - 0,3 Nm	
Turn at closed	0,15 - 0,3 Nm	
Turn at opened	0,15 - 0,3 Nm	
Flow rate @ 3 bar ⁽²⁾		
Free Flow	13,4 l/min	
Class B	11,7 l/min	

⁽¹⁾ The prescribed tightening torque is related to faucet body and nut both in brass material, pitch 1,5 mm and no lubricant applied on the threads. For other faucet body - nut material combinations please contact SEDAL.

⁽²⁾ Measured with SEDAL faucet.

EX-28

Upper Sealing



Description

The EX28 cartridge is designed for washbasins, showers, and kitchen faucets, offering a compact size that allows manufacturers to create sleek, minimalistic faucet designs. Despite its smaller footprint, the EX28 delivers strength and performance comparable to larger 35mm cartridges, making it a versatile and powerful solution for modern faucet systems.

Opening



Certifications

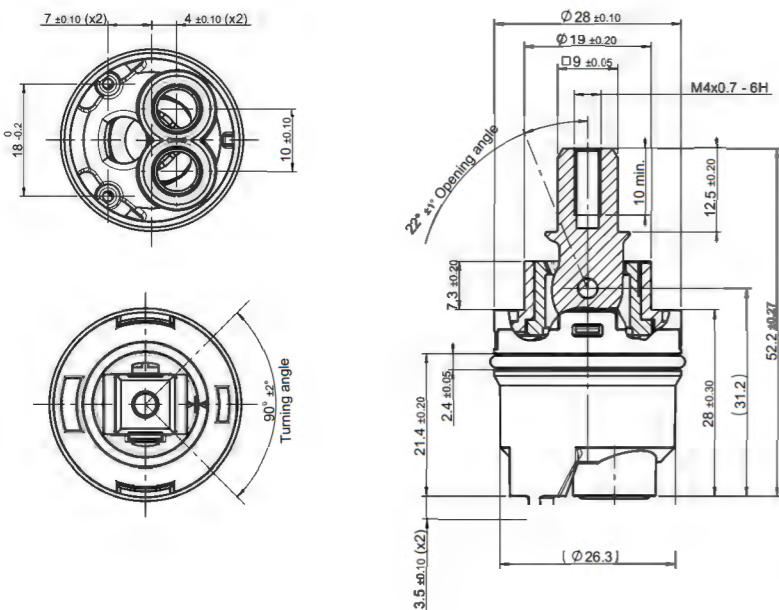


Advantages

Sleek and High Performance

The EX28 cartridge's compact design enables manufacturers to create sleek, minimalistic faucets without compromising on high-performance features. Despite its small size, the EX28 delivers reliable operation, maintaining the premium performance expected in modern faucet systems.

Dimensions



Versions

	GC Upper Sealing	EX Upper Sealing	CC Upper Sealing	G Upper Sealing	Opening	Temperature Limiter (TR)	Temperature & Flow limiter (TRN)	Due	Special Function
EX-28	-	08EX28L0002	-	-	Standard				

Technical Specifications

	EX-28	08EX28L0002
General		
Nut torque ⁽¹⁾		7 - 8 Nm
Opening angle		22°
Rotation angle		90°
Working pressure (recommended)		1 - 5 bar
Burst pressure		> 35 bar
Life cycle - x2 EN 817		140.000 cycles
x2 ASME 112.18.1 M		1.000.000 cycles
x2 GB-18145		140.000 cycles
Sensitivity (DN6) ⁽²⁾		> 10°
Fidelity ⁽²⁾		< 5 °C
Max. hot water		90 °C
Operation Torque		
Open-close		0,2 - 0,4 Nm
Turn at closed		0,15 - 0,3 Nm
Turn at opened		0,2 - 0,4 Nm
Flow rate @ 3 bar ⁽²⁾		
Basin DN8 Free Flow		21,2 l/min

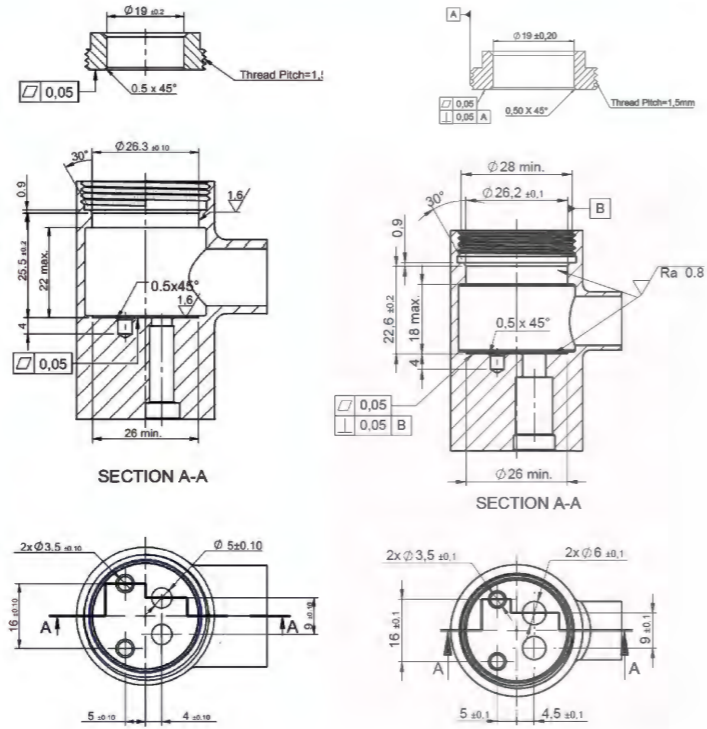
⁽¹⁾ The prescribed tightening torque is related to faucet body and nut both in brass material, pitch 1,5 mm and no lubricant applied on the threads. For other faucet body – nut material combinations please contact SEDAL.

⁽²⁾ Measured with SEDAL faucet.

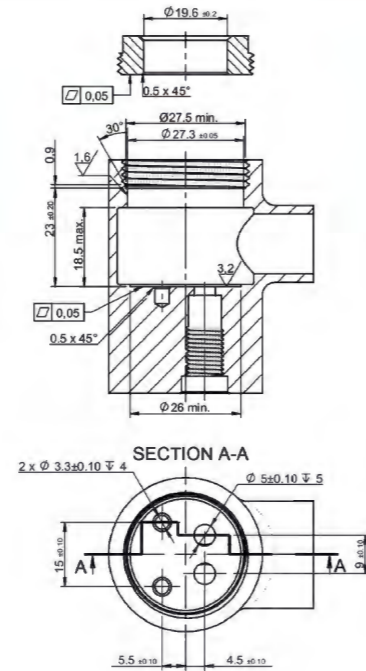
Mechanical Requirements

26-28 mm

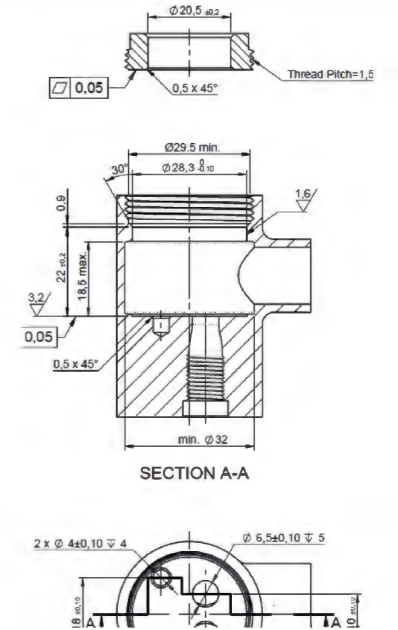
Cartridge	Reference	Pg	Machining tips
EX-26	08EX26L0001	37	
EX-26 Short	08EX26L0003	37	
EX-26 Short Cold	08EX26L1501	37	



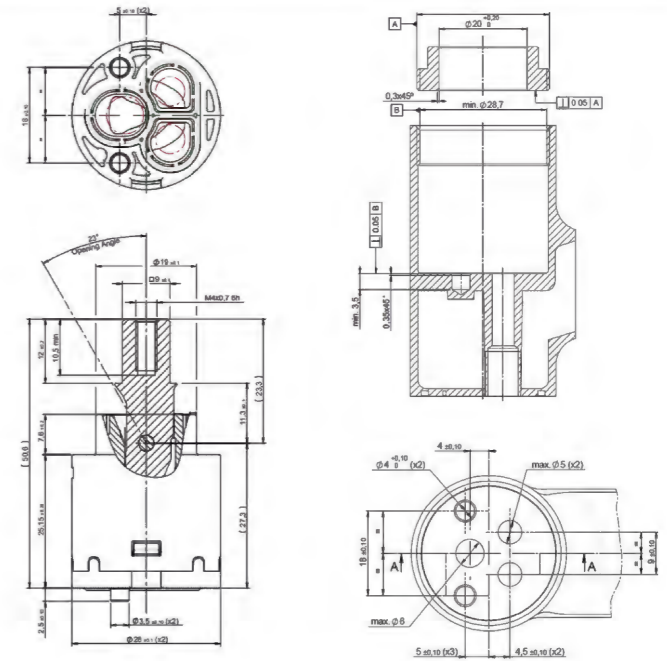
Cartridge	Reference	Pg	Machining tips
EX-27 TOP	08EX27L0002	41	
EX-27 TOP Due	08EX27L3002	41	
EX-27 TOP Cold	08EX27L1502	41	
EX-27 TOP Cold Due	08EX27L2002	41	



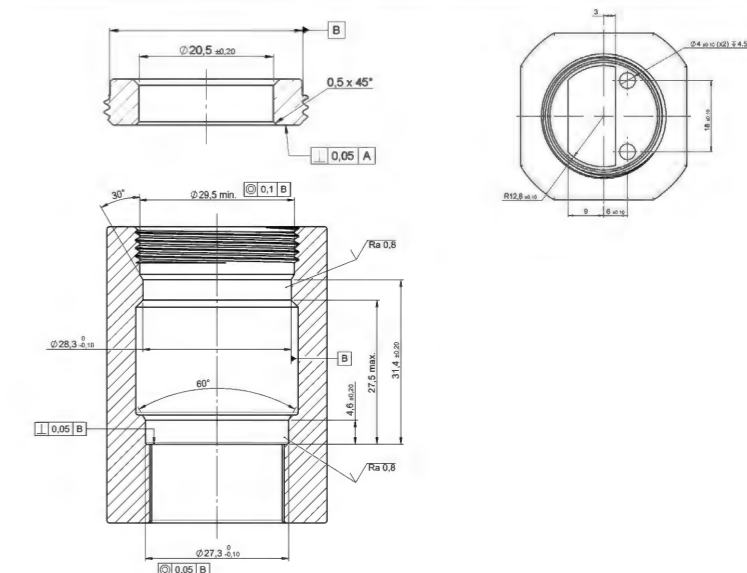
Cartridge	Reference	Pg	Machining tips
EX-28 TOP TR	08EX28L0501	47	
EX-28 TOP TR Due	08EX28L3501	47	
EX-28 TOP Cold TR	08EX28L2501	47	
EX-28 TOP Cold TR Due	08EX28L5001	47	
EX-28 TOP Cold-Mirror TR	08EX28L2502	47	
EX-28 TOP Cold-Mirror TR Due	08EX28L5002	47	
EX-28 TOP TR Ecoflow	08EX28L0503	47	
EX-28 TOP Cold TR Ecoflow	08EX28L2504	47	
EX-28	08EX28L0002	51	



Cartridge	Reference	Pg	Machining tips
SN-28	08SN28S0002	45	



Cartridge	Reference	Pg	Machining tips
CC-28 TOP	08CC28L0501	49	
CC-28 TOP Cold	08CC28L2501	49	

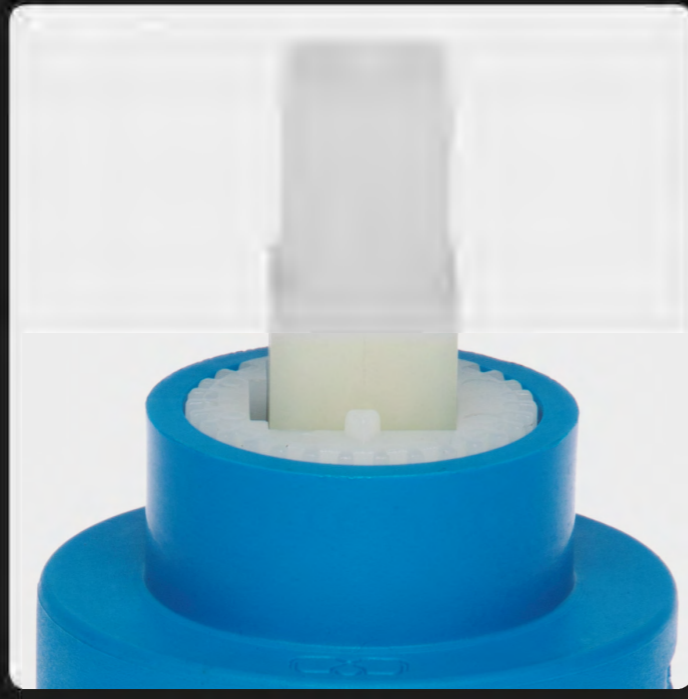


35 mm

The widest and most efficient diameter range, featuring the best cartridges in-house, and probably on the market.

You can choose from a variety of applications, including standard faucets and showers, concealed systems, and eco-friendly options. The most popular materials are plastic and metal levers. Functionality includes eco-friendly options, safety features, SN & EN cartridges, upper and lower sealing, and much more.

SN-35 Endura Cartridge



163 products
2 sizes

35mm

Regular

EN-35 TOP

Name	Code	Page
EN-35 TOP C/D TR	08EN35L0023	59
EN-35 TOP C/D TRN	08EN35L4505	59
EN-35 TOP C/D TR Due	08EN35L3504	59
EN-35 TOP C/D TR High Flow	08EN35L0507	59
EN-35 TOP C/D Cold TR	08EN35L2502	59
EN-35 TOP C/D Cold TRN	08EN35L4003	59
EN-35 TOP C/D Cold TR Due	08EN35L5002	59
EN-35 TOP C/D Cold-Mirror TR	08EN35L2503	59
EN-35 TOP C/D Cold-Mirror TRN	08EN35L4506	59
EN-35 TOP C/D Cold-Mirror TR Due	08EN35L5003	59
EN-35 TOP S/D TR	08EN35S0023	59
EN-35 TOP S/D TRN	08EN35S4505	59
EN-35 TOP S/D TR Due High Flow	08EN35S3506	59
EN-35 TOP S/D TR High Flow	08EN35S0507	59
EN-35 TOP S/D TR Nieder Druck	08EN35S0506	59
EN-35 TOP S/D Cold TR	08EN35S2502	59
EN-35 TOP S/D Cold TRN	08EN35S4003	59
EN-35 TOP S/D Cold TR Due	08EN35S5002	59
EN-35 TOP S/D Cold-Mirror TR	08EN35S2503	59
EN-35 TOP S/D Cold-Mirror TRN	08EN35S4506	59
EN-35 TOP S/D Cold-Mirror TR Due	08EN35S5003	59
EN-35 TOP S/D TR Ecoflow	08EN35S0514	59
EN-35 TOP S/D Metal Lever	08EN35S0038	59



SN-35 S/D TRN Due	On demand	63
SN-35 S/D Cold	08SN35S1503	63
SN-35 S/D Cold 93°	08SN35S1504	63
SN-35 S/D Cold TR	08SN35S2501	63
SN-35 S/D Cold TRN	08SN35S4001	63
SN-35 S/D Cold-Mirror	08SN35S1501	63
SN-35 S/D Cold Due	08SN35S0004	63
SN-35 S/D Cold TR Due	08SN35S5001	63
SN-35 S/D Cold TRN Due	08SN35S5501	63
SN-35 S/D EcoFlow	08SN35S0009	63

SN-35 Termaclick

Name	Code	
SN-35 C/D Cold Termaclick 100°	08SN35L2003	67
SN-35 C/D Cold Termaclick 90+3°	08SN35L2005	67
SN-35 C/D Cold-Mirror Termaclick 100°	08SN35L2004	67
SN-35 C/D Cold-Mirror Termaclick 90+3°	08SN35L2006	67
SN-35 S/D Cold Termaclick 100°	08SN35S2003	67
SN-35 S/D Cold Termaclick 90+3°	08SN35S2005	67
SN-35 S/D Cold-Mirror Termaclick 100°	08SN35S2004	67
SN-35 S/D Cold-Mirror Termaclick 90+3°	08SN35S2006	67



EN-35 Endura

Name	Code	Page
EN-35 C/D	08EN35L0004	69
EN-35 C/D TR	08EN35L5401	69
EN-35 C/D TRN	08EN35L4501	69
EN-35 C/D Due	08EN35L3001	69
EN-35 C/D TR Due	08EN35L5701	69
EN-35 C/D TRN Due	On Demand	69
EN-35 C/D Cold	08EN35L1503	69
EN-35 C/D Cold TR	08EN35L2501	69
EN-35 C/D Cold TRN	08EN35L4001	69
EN-35 C/D Cold-Mirror	08EN35L1505	69
EN-35 C/D Cold Due	08EN35L0005	69
EN-35 C/D Cold TR Due	08EN35L5001	69
EN-35 C/D Cold TRN Due	08EN35L5501	69
EN-35 C/D Cold-Mirror Due	08EN35L2002	69
EN-35 S/D	08EN35S0004	69
EN-35 S/D TR	08EN35S5401	69
EN-35 S/D TRN	08EN35S4501	69
EN-35 S/D Due	08EN35S3001	69
EN-35 S/D TR Due	08EN35S5701	69
EN-35 S/D TRN Due	On Demand	69
EN-35 S/D Cold	08EN35S1503	69
EN-35 S/D Cold TR	08EN35S2501	69
EN-35 S/D Cold TRN	08EN35S4001	69
EN-35 S/D Cold-Mirror	08EN35S1505	69
EN-35 S/D Cold Due	08EN35S0005	69
EN-35 S/D Cold TR Due	08EN35S5001	69
EN-35 S/D Cold TRN Due	08EN35S5501	69

SN-35 Endura

Name	Code	Page
SN-35 C/D	08SN35L0013	63
SN-35 C/D TR	08SN35L5401	63
SN-35 C/D TRN	08SN35L4501	63
SN-35 C/D Due	08SN35L3001	63
SN-35 C/D Due	08SN35L5701	63
SN-35 C/D TRN Due	On demand	63
SN-35 C/D EcoFlow	08SN35L0009	63
SN-35 C/D Cold	08SN35L1502	63
SN-35 C/D Cold TR	08SN35L2501	63
SN-35 C/D Cold	08SN35L1504	63
SN-35 C/D Cold Due	08SN35L0004	63
SN-35 C/D Cold TR Due	08SN35L5001	63
SN-35 C/D Cold TRN Due	08SN35L5501	63
SN-35 S/D	08SN35S0013	63
SN-35 S/D TR	08SN35S5401	63
SN-35 S/D TRN	08SN35S4501	63
SN-35 S/D Due	08SN35S3001	63
SN-35 S/D TR Due	08SN35S5701	63



SN-35

Name	Code	
SN-35 C/D	08SN35FG000	71
SN-35 S/D	08SN35LG000	71

EN-35

Name	Code	Page
EN-35 C/D	08EN35L0003	73
EN-35 S/D	08EN35S0003	73
EN-35 S/D Reverse	08EN35S0032	73

E-35

Name	Code	Page
EN-35 C/D Due	08E35LAZ30	75
EN-35 S/D Due	08E35FAZ30	75

EN-35 Basic High Performance

Name	Code	
EN-35 C/D High Performance	08SN35L0014	77
EN-35 S/D High Performance	08SN35S0014	77
EN-35 C/D High Per. w/ certifications	08EN35S0039	77
EN-35 S/D High Per. w/ certifications	08EN35L0039	77
EN-35 S/D Cold High Per. w/ certifications	08EN35S1510	77
EN-35 C/D Cold High Per. w/ certifications	08EN35L1510	77

EN-35 Basic

Name	Code	
EN-35 C/D	08EN35S0011	79
EN-35 S/D	08EN35L0011	79
EN-35 S/D Cold	08EN35S1508	79
EN-35 S/D Cold Due	08EN35S2003	79
EN-35 S/D Cold-Mirror	08EN35S1509	79
EN-35 S/D Cold-Mirror Due	08EN35S2004	79

Upper Sealing

G-35 TOP

Name	Code	Page
G-35 TOP TR	08G35L0502	81
G-35 TOP TR Due	08G35L3501	81
G-35 TOP Cold TR	08G35L2501	81
G-35 TOP Cold TR Due	08G35L5002	81

EX-35 TOP

Name	Code	
EX-35 TOP Compact	08EX35L0004	83
EX-35 TOP Compact TR	08EX35L0504	83
EX-35 TOP Compact TRN	08EX35L4505	83
EX-35 TOP Compact TR Due	08EX35L3502	83
EX-35 TOP Compact Cold	08EX35L1503	83
EX-35 TOP Compact Cold TR	08EX35L2503	83
EX-35 TOP Compact Cold TRN	08EX35L4003	83
EX-35 TOP Compact Cold TR Due	08EX35L5003	83

EX-35,4 mm TOP

Name	Code	
EX-35,4 TOP Compact	08EX35L0003	85
EX-35,4 TOP Compact TR	08EX35L0502	85
EX-35,4 TOP Compact TRN	08EX35L4504	85
EX-35,4 TOP Compact TR Due	08EX35L3501	85
EX-35,4 TOP Compact Cold	08EX35L1502	85
EX-35,4 TOP Compact Cold TR	08EX35L2502	85
EX-35,4 TOP Compact Cold TRN	08EX35L4002	85
EX-35,4 TOP Compact Cold TR Due	08EX35L5002	85

G-35

Name	Code	
G-35 Cold TR	08G35L1501	87
G-35 TRN Due	08G35L0002	87

CC-35 TOP

Name	Code	
CC-35 TOP TR Direct Plug In	08CC35L0501	89
CC-35 TOP TR Due Direct Plug In	08CC35L3502	89
CC-35 TOP Cold TR Direct Plug In	08CC35L2501	89
CC-35 TOP Cold TR Due Direct Plug In	08CC35L5002	89

CC-35

Name	Code	
CC-35	08CC35L0003	91
CC-35 TR	08CC35L0001	91
CC-35 TRN	08CC35L4501	91
CC-35 Direct Plug In	08CC35L0019	91
CC-35 TR Direct Plug In	08CC35L0002	91
CC-35 TRN Direct Plug In	08CC35L4502	91
CC-35 TR Due Direct Plug In	08CC35L5701	91

Joystick

JY-35

Name	Code	
JY-35 C/D Metal Lever	08JY35LBE00	101

Dry Faucet

BISO

Name	Code	
BISO-35	08SN35B008	93
BISO-35	08SN35B007	93

SISO

Name	Code	
SISO-35 2 inserts	08EN35A0002	85
SISO-35 3 inserts	08EN35A0001	95
SISO-35 2xM8x1 / M11x1	08EN35A0003	95
SISO-35 Cold-Mirror 2xM8x1 / M11x1	08EN35A1503	95

SIO

Name	Code	
SIO-35 Basic With pins	08EN35C0004	97
SIO-35 Basic With O-Ring	08EN35C0002	97
SIO-35 With pins	08EN35C0003	97
SIO-35 With O-Ring	08EN35C0001	97
SIO-35 Cold-Mirror With O-Ring	08EN35C1501	97

Revolving

GI-35

Name	Code	
GI-35 C/D Cold	08GI35LBE64	99
GI-35 C/D	08GI35LBE09	99
GI-35 C/D	08GI35LBE01	99
GI-35 S/D Cold	08GI35FBE64	99
GI-35 S/D	08GI35FBE09	99
GI-35 S/D	08GI35FBE01	99

Mechanical Requirements

EN-35 TOP

Regular



Description

The EN-35 TOP is a 35mm cartridge designed to outperform competitors in all areas, providing manufacturers with a perfectly balanced, high-performance solution. With exceptional endurance (lasting up to 3 times longer than standard life cycle tests) this cartridge ensures reliability and durability. Additionally, the EN-35 TOP is available with TRN technology, offering significant water and energy savings, making it an eco-friendly choice for modern faucet designs.

Openings



Advantages

High Flowrate

The TOP family offers a 5% higher flow rate than the market average in this segment. Additionally, it outperforms its closest competitor by delivering a 3.5% greater flow rate.

Noise performance

TOP cartridges operate at less than 20dB, which is 20% quieter than the average in its market segment and even its closest competitor. This reduced noise level ensures a quieter user experience, making it ideal for applications where sound reduction is important.

Strong Materials

Constructed with strong and long-lasting materials, these cartridges are designed to provide the best user experience

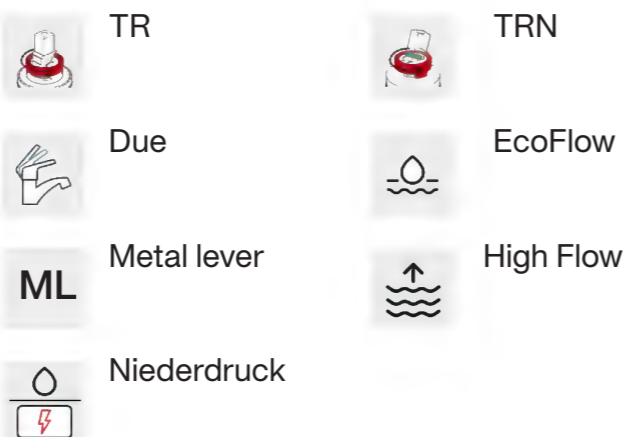
Niederdruck system

The Niederdruck system is widely used in Germany, featuring a small heater installed below the sink. This system operates with a single cold-water inlet and requires a unique cartridge configuration to ensure optimal performance. Ideal for setups where traditional hot water connections are unavailable, Niederdruck offers an efficient and space-saving solution for heating water.

Certifications



Technologies



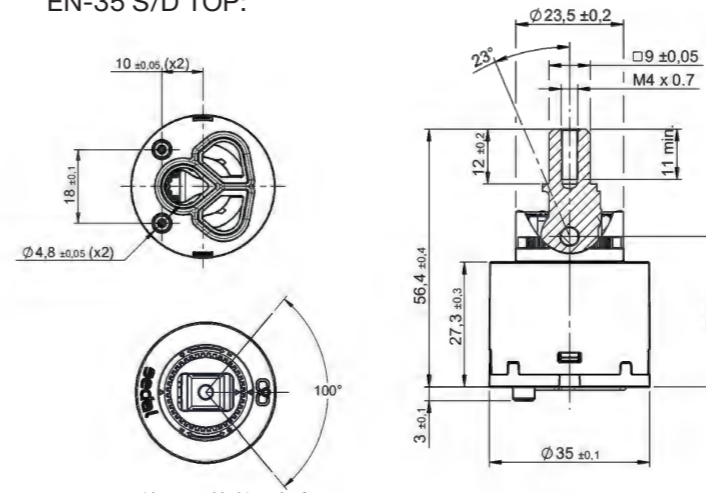
Versions

	Short base (SD)	Long base (CD)	Opening	Temperature Limiter (TR)	Temperature & Flow limiter (TRN)	Due	Special Function
EN-35 TOP TR	08EN35S0023	08EN35L0023	Standard	x			
EN-35 TOP TRN	08EN35S4505	08EN35L4505	Standard		x		
EN-35 TOP TR Due	-	08EN35L3504	Standard	x		x	
EN-35 TOP TR Due High Flow	08EN35S3506	-	Standard	x		x	High flow
EN-35 TOP TR High Flow	08EN35S0507	08EN35L0507	Standard	x			High flow
EN-35 TOP Nieder Druck	08EN35S0506	-	Standard	x			Nieder Druck
EN-35 TOP Cold TR	08EN35S2502	08EN35L2502	Cold	x			
EN-35 TOP Cold TRN	08EN35S4003	08EN35L4003	Cold		x	x	
EN-35 TOP Cold TR Due	08EN35S5002	08EN35L5002	Cold	x			
EN-35 TOP Cold-Mirror TR	08EN35S2503	08EN35L2503	Cold-Mirror	x			
EN-35 TOP Cold-Mirror TRN	08EN35S4506	08EN35L4506	Cold-Mirror		x		
EN-35 TOP Cold-Mirror TR Due	08EN35S5003	08EN35L5003	Cold-Mirror	x		x	
EN-35 TOP TR EcoFlow	08EN35S0514	-	Standard	x			EcoFlow
EN-35 TOP Metal Lever	08EN35S0038	-	Standard				Metal Lever

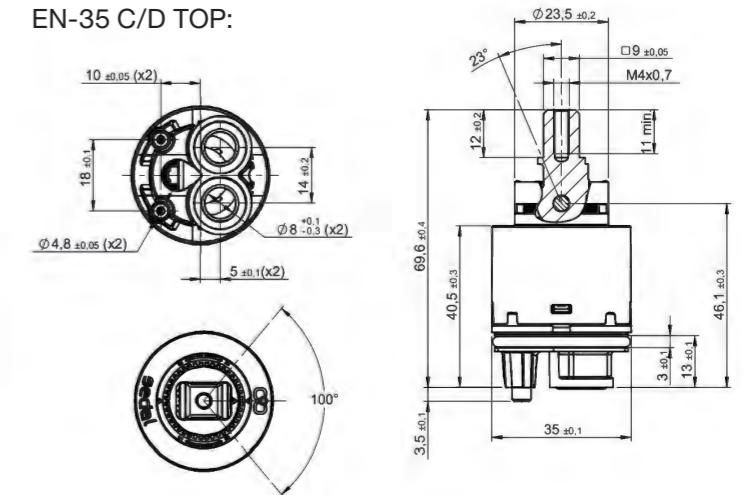
See **technical specifications** in the next page

Dimensions

EN-35 S/D TOP:



EN-35 C/D TOP:



EN-35 TOP

Regular

Technical Specifications

EN-35 TOP TR	08EN35S0023	08EN35L0023				
EN-35 TOP TRN	08EN35S4505	08EN35L4505				
EN-35 TOP TR Due	08EN35S3504	08EN35L3504				
EN-35 TOP Nieder Druck	08EN35S0506		EN-35 TOP TR High Flow	08EN35S0507	08EN35L0507	EN-35 TOP TR EcoFlow
						08EN35S0514

General						
Nut torque ⁽¹⁾	10 - 12 Nm	10 - 12 Nm	10 - 12 Nm	10 - 12 Nm	10 - 12 Nm	10 - 12 Nm
Opening angle	23°	23°	23°	23°	23°	23°
Rotation angle	100°	100°	100°	100°	100°	100°
Working pressure (recommended)	1 - 5 bar	1 - 5 bar	1 - 5 bar	1 - 5 bar	1 - 5 bar	1 - 5 bar
Burst pressure	> 50 bar	> 50 bar	> 50 bar	> 50 bar	> 50 bar	> 50 bar
Life cycle- EN 817 NF - 077 U3	175.000 cycles	175.000 cycles	175.000 cycles	175.000 cycles	175.000 cycles	175.000 cycles
x3 ASME 112.18.1 M	1.500.000 cycles	1.500.000 cycles	1.500.000 cycles	1.500.000 cycles	1.500.000 cycles	1.500.000 cycles
x3 GB-18145	210.000 cycles	210.000 cycles	210.000 cycles	210.000 cycles	210.000 cycles	210.000 cycles
Sensitivity (r= 45 mm) ⁽²⁾	> 12°	> 12°	> 12°	> 12°	> 12°	> 12°
Fidelity ⁽²⁾	< 5 °C	< 5 °C	< 5 °C	< 5 °C	< 5 °C	< 5 °C
Constant 63°C & 50°C ⁽²⁾ (6 l/min - 3l/min)	< 4 °C - < 6 °C	< 4 °C - < 6 °C	< 4 °C - < 6 °C	< 4 °C - < 6 °C	< 4 °C - < 6 °C	< 4 °C - < 6 °C
Noise (NF077) - Rh-A @ 3 bar	Group I ⁽²⁾	Group I ⁽²⁾	Group I ⁽²⁾	Group I ⁽²⁾	Group I ⁽²⁾	Group I ⁽²⁾
Max. hot water	90 °C	90 °C	90 °C	90 °C	90 °C	90 °C
Operation Torque						
Open-close	0,2 - 0,4 Nm	0,2 - 0,4 Nm	0,2 - 0,4 Nm	0,2 - 0,4 Nm	0,2 - 0,4 Nm	0,2 - 0,4 Nm
Turn at closed	0,2 - 0,4 Nm	0,2 - 0,4 Nm	0,2 - 0,4 Nm	0,2 - 0,4 Nm	0,2 - 0,4 Nm	0,2 - 0,4 Nm
Turn at opened	0,2 - 0,4 Nm	0,2 - 0,4 Nm	0,2 - 0,4 Nm	0,2 - 0,4 Nm	0,2 - 0,4 Nm	0,2 - 0,4 Nm
Flow rate @ 3 bar ⁽²⁾						
Free Flow	27,4 l/min	28 l/min	29,7 l/min	30,6 l/min	4,6 l/min	
Free Flow Nieder Druck	13,3 l/min	12,9 l/min	-	13,2 l/min	-	
A-restrictor - Shower	12,6 l/min		13 l/min			

EN-35 TOP Cold TR	08EN35S2502	08EN35L2502				
EN-35 TOP Cold TRN	08EN35S4003	08EN35L4003				
EN-35 TOP Cold-Mirror TR	08EN35S2503	08EN35L2503				
EN-35 TOP Cold-Mirror TR Due	08EN35S5003					EN-35 TOP Cold-Mirror TRN
EN-35 TOP Cold-Mirror TRN	08EN35S4506		EN-35 TOP Cold TRN Due	08EN35S5002	08EN35L5002	EN-35 TOP Cold-Mirror TR Due
						08EN35L4506
						08EN35S5003
						08EN35L5003

General						
Nut torque ⁽¹⁾	10 - 12 Nm	10 - 12 Nm	10 - 12 Nm	10 - 12 Nm	10 - 12 Nm	10 - 12 Nm
Opening angle	23°	23°	23°	23°	23°	23°
Rotation angle	93°	93°	93°	93°	93°	93°
Working pressure (recommended)	1 - 5 bar	1 - 5 bar	1 - 5 bar	1 - 5 bar	1 - 5 bar	1 - 5 bar
Burst pressure	> 50 bar	> 50 bar	> 50 bar	> 50 bar	> 50 bar	> 50 bar
Life cycle- EN 817 NF - 077 U3	175.000 cycles	175.000 cycles	175.000 cycles	175.000 cycles	175.000 cycles	175.000 cycles
x3 ASME 112.18.1 M	1.500.000 cycles	1.500.000 cycles	1.500.000 cycles	1.500.000 cycles	1.500.000 cycles	1.500.000 cycles
x3 GB-18145	210.000 cycles	210.000 cycles	210.000 cycles	210.000 cycles	210.000 cycles	210.000 cycles
Sensitivity (r= 45 mm) ⁽²⁾	> 12°	> 12°	> 12°	> 12°	> 12°	> 12°
Fidelity ⁽²⁾	< 5 °C	< 5 °C	< 5 °C	< 5 °C	< 5 °C	< 5 °C
Constant 63°C & 50°C ⁽²⁾ (6 l/min - 3l/min)	< 4 °C - < 6 °C	< 4 °C - < 6 °C	< 4 °C - < 6 °C	< 4 °C - < 6 °C	< 4 °C - < 6 °C	< 4 °C - < 6 °C
Noise (NF077) - Rh-A @ 3 bar	Group I ⁽²⁾	Group I ⁽²⁾	Group I ⁽²⁾	Group I ⁽²⁾	Group I ⁽²⁾	Group I ⁽²⁾
Max. hot water	90 °C	90 °C	90 °C	90 °C	90 °C	90 °C
Operation Torque						
Open-close	0,2 - 0,4 Nm	0,2 - 0,4 Nm	0,2 - 0,4 Nm	0,2 - 0,4 Nm	0,2 - 0,4 Nm	0,2 - 0,4 Nm
Turn at closed	0,2 - 0,4 Nm	0,2 - 0,4 Nm	0,2 - 0,4 Nm	0,2 - 0,4 Nm	0,2 - 0,4 Nm	0,2 - 0,4 Nm
Turn at opened	0,2 - 0,4 Nm	0,2 - 0,4 Nm	0,2 - 0,4 Nm	0,2 - 0,4 Nm	0,2 - 0,4 Nm	0,2 - 0,4 Nm
Flow rate @ 3 bar ⁽²⁾						
Free Flow	27,4 l/min	28 l/min	28 l/min	28 l/min	27,4 l/min	27,4 l/min
Free Flow Nieder Druck	-	12,9 l/min	-	12,9 l/min	-	12,6 l/min
A-restrictor - Shower	12,6 l/min					

⁽¹⁾ The prescribed tightening torque is related to faucet body and nut both in brass material, pitch 1,5 mm and no lubricant applied on the threads. For other faucet body – nut material combinations please contact SEDAL.

⁽²⁾ Measured with SEDAL faucet.

SN-35

Regular



Description

The ENDURA 35mm cartridge offers double the endurance of standard life cycle tests, thanks to SedalOX® ceramics reinforced with our exclusive Nano Shelter Technology, ensuring enhanced durability and smooth operation. With various advanced technologies for both the cartridge body and ceramics, the ENDURA 35 provides exceptional performance in water and energy efficiency.

Designed to exceed ASME and EN standards, the ENDURA 35 range offers manufacturers 18 options and over 100 possible combinations, making it a versatile choice for diverse faucet designs.

Advantages

Improved Performance

Understanding that smaller cartridges often face challenges in tough conditions, Sedal has developed a new valve that greatly improves technical specifications compared to market standards.

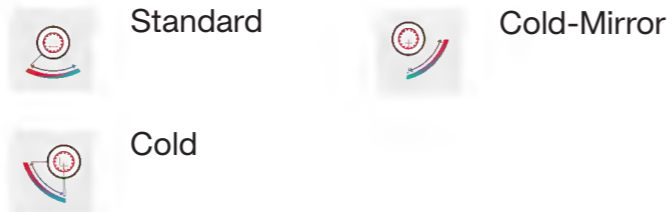
Our advancements include:

- +10% increase in flow rate than the nearest competitor.
- Improves operational comfort

Noise Performance

SN-35 cartridges operate at less than 20dB, which is 20% quieter than the average in its market segment and even its closest competitor. This reduced noise level ensures a quieter user experience, making it ideal for applications where sound reduction is important.

Openings



Certifications



Technologies



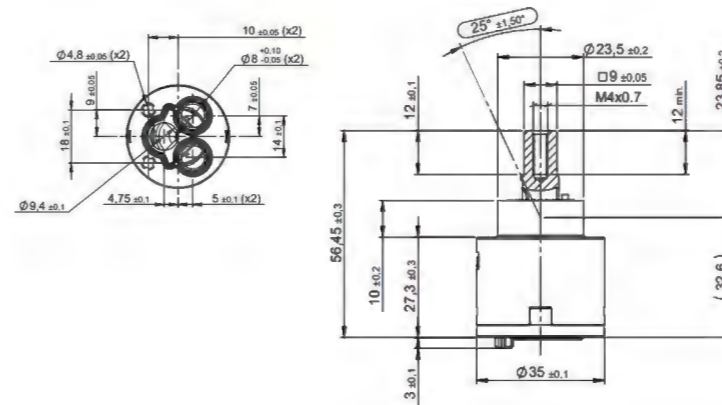
Versions

	Short base (SD)	Long base (CD)	Opening	Temperature Limiter (TR)	Temperature & Flow limiter (TRN)	Due	Special Function
SN-35	08SN35S0013	08SN35L0013	Standard				
SN-35 TR	08SN35S5401	08SN35L5401	Standard	x			
SN-35 TRN	08SN35S4501	08SN35L4501	Standard		x		
SN-35 Due	08SN35S3001	08SN35L3001	Standard			x	
SN-35 TR Due	08SN35S5701	08SN35L5701	Standard	x		x	
SN-35 TRN Due	On demand	On demand	Standard		x		
SN-35 EcoFlow	08SN35S0009	08SN35L0008	Standard				EcoFlow
SN-35 Cold	08SN35S1502	08SN35L1502	Cold				
SN-35 Cold TR	08SN35S2501	08SN35L2501	Cold	x			
SN-35 Cold 93°	08SN35S1504	08SN35L1504	Cold				
SN-35 Cold Due	08SN35S0004	08SN35L0004	Cold			x	
SN-35 Cold TR Due	08SN35S5001	08SN35L5001	Cold	x		x	
SN-35 Cold TRN Due	08SN35S5501	08SN35L5501	Cold		x	x	
SN-35 Cold -Mirror	08SN35S1501	-	Cold-Mirror				
SN-35 Cold TRN	08SN35S4001	-	Cold		x		

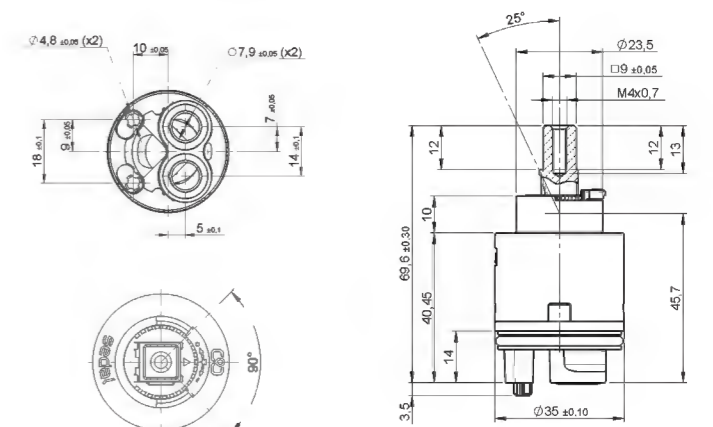
See **technical specifications** in the next page

Dimensions

SN-35 S/D:



SN-35 C/D:



SN-35

Regular

Technical Specifications

	SN-35	08SN35S0013	08SN35L0013	SN-35 TR	08SN35S5401	08SN35L5401	SN-35 Due	08SN35S3001	08SN35L3001
	SN-35	08SN35S0013	08SN35L0013	SN-35 TRN	08SN35S4501	08SN35L4501	SN-35 TR Due	08SN35S5701	08SN35L5701
General									
Nut torque ⁽¹⁾	10 - 12 Nm	10 - 12 Nm	10 - 12 Nm	10 - 12 Nm	10 - 12 Nm	10 - 12 Nm	10 - 12 Nm	10 - 12 Nm	10 - 12 Nm
Opening angle	25°	25°	25°	25°	25°	25°	25°	25°	25°
Rotation angle	90°	90°	90°	90°	90°	90°	90°	90°	90°
Working pressure (recommended)	1 - 5 bar	1 - 5 bar	1 - 5 bar	1 - 5 bar	1 - 5 bar	1 - 5 bar	1 - 5 bar	1 - 5 bar	1 - 5 bar
Burst pressure	> 50 bar	> 50 bar	> 50 bar	> 50 bar	> 50 bar	> 50 bar	> 50 bar	> 50 bar	> 50 bar
Life cycle- EN 817 NF - 077 U3	140.000 cycles	140.000 cycles	140.000 cycles	175.000 cycles	175.000 cycles	175.000 cycles	175.000 cycles	175.000 cycles	175.000 cycles
x2 ASME 112.18.1 M	1.000.000 cycles	1.000.000 cycles	1.000.000 cycles	1.000.000 cycles	1.000.000 cycles	1.000.000 cycles	1.000.000 cycles	1.000.000 cycles	1.000.000 cycles
x2 GB 18145	-	-	-	140.000 cycles	140.000 cycles	140.000 cycles	140.000 cycles	140.000 cycles	140.000 cycles
Sensitivity ⁽²⁾	> 12°	> 12°	13°	13°	13°	13°	> 12°	> 12°	> 12°
Fidelity ⁽²⁾	< 5 °C	< 5 °C	< 5 °C	< 5 °C	< 5 °C	< 5 °C	< 5 °C	< 5 °C	< 5 °C
Constant 63°C & 50°C ⁽²⁾ (6 l/min - 3l/min)	< 4 °C - < 6 °C	< 4 °C - < 6 °C	< 4 °C - < 6 °C	< 4 °C - < 6 °C	< 4 °C - < 6 °C	< 4 °C - < 6 °C	< 4 °C - < 6 °C	< 4 °C - < 6 °C	< 4 °C - < 6 °C
Noise level (C-Restrictor)	< 30 dB	< 30 dB	20 ± 2dB ⁽¹⁾	20 ± 2dB ⁽¹⁾	20 ± 2dB ⁽¹⁾	20 ± 2dB ⁽¹⁾	20 ± 2dB ⁽¹⁾	20 ± 2dB ⁽¹⁾	20 ± 2dB ⁽¹⁾
Max. hot water	90 °C	90 °C	90 °C	90 °C	90 °C	90 °C	90 °C	90 °C	90 °C
Operation Torque									
Open-close	0,2 - 0,4 Nm	0,2 - 0,4 Nm	0,2 - 0,35 Nm	0,2 - 0,35 Nm	0,2 - 0,35 Nm	0,2 - 0,35 Nm	0,2 - 0,4 Nm	0,2 - 0,4 Nm	0,2 - 0,4 Nm
Turn at closed	0,2 - 0,4 Nm	0,2 - 0,4 Nm	0,15 - 0,3 Nm	0,15 - 0,3 Nm	0,15 - 0,3 Nm	0,15 - 0,3 Nm	0,2 - 0,4 Nm	0,2 - 0,4 Nm	0,2 - 0,4 Nm
Turn at opened	0,2 - 0,4 Nm	0,2 - 0,4 Nm	0,15 - 0,3 Nm	0,15 - 0,3 Nm	0,15 - 0,3 Nm	0,15 - 0,3 Nm	0,2 - 0,4 Nm	0,2 - 0,4 Nm	0,2 - 0,4 Nm
Flow rate @ 3 bar⁽²⁾									
Free Flow	24,1 l/min	25,1 l/min	27,5 l/min	28,8 l/min	27,5 l/min	28,8 l/min	27,5 l/min	28,8 l/min	28,8 l/min
C-Restrictor	20,1 l/min	20,7 l/min	20,5 l/min	20,9 l/min	20,5 l/min	20,9 l/min	20,5 l/min	20,9 l/min	20,9 l/min
A-Restrictor	-	-	-	-	-	-	-	-	-

	SN-35 EcoFlow	08SN35S0009	08SN35L0008
General			
Nut torque ⁽¹⁾	10 - 12 Nm	10 - 12 Nm	10 - 12 Nm
Opening angle	25°	25°	25°
Rotation angle	90°	90°	90°
Working pressure (recommended)	1 - 5 bar	1 - 5 bar	1 - 5 bar
Burst pressure	> 34,5 bar	> 34,5 bar	> 34,5 bar
Life cycle- EN 817 NF - 077 U3	70.000 cycles	70.000 cycles	70.000 cycles
x2 ASME 112.18.1 M	50.000 cycles	50.000 cycles	50.000 cycles
x2 GB 18145	-	-	-
Sensitivity ⁽²⁾	> 10 - 12 mm	> 10 - 12 mm	> 10 - 12 mm
Fidelity ⁽²⁾	< 3 °C	< 3 °C	< 3 °C
Constant 63°C & 50°C ⁽²⁾ (6 l/min - 3l/min)	< 4 °C - < 6 °C	< 4 °C - < 6 °C	< 4 °C - < 6 °C
Noise level (C-Restrictor)	-	-	-
Max. hot water	90 °C	90 °C	90 °C
Operation Torque			
Open-close	0,2 - 0,4 Nm	0,2 - 0,4 Nm	0,2 - 0,4 Nm
Turn at closed	0,2 - 0,4 Nm	0,2 - 0,4 Nm	0,2 - 0,4 Nm
Turn at opened	0,2 - 0,4 Nm	0,2 - 0,4 Nm	0,2 - 0,4 Nm
Flow rate @ 3 bar⁽²⁾			
Free Flow	9 l/min	9 l/min	9 l/min
Z-Restrictor	6,6 l/min	6,6 l/min	6,6 l/min
A-Restrictor	-	-	-

	SN-35 Cold	08SN35S1502	08SN35L1502	SN-35 Cold 93°	08SN35S1504	08SN35L1504	SN-35 Cold-Mirror	08SN35S1501
SN-35 Cold TR	08SN35S2501	08SN35L2501						
SN-35 Cold Due	08SN35S0004	08SN35L0004						
SN-35 Cold TR Due	08SN35S5001	08SN35L5001						
SN-35 Cold TRN Due	08SN35S5501	08SN35L5501						
SN-35 Cold TRN	08SN35S4001							

	SN-35 Cold	08SN35S1502	08SN35L1502	SN-35 Cold 93°	08SN35S1504	08SN35L1504	SN-35 Cold-Mirror	08SN35S1501
General								
Nut torque ⁽¹⁾	10 - 12 Nm	10 - 12 Nm	10 - 12 Nm	10 - 12 Nm	10 - 12 Nm	10 - 12 Nm	10 - 12 Nm	10 - 12 Nm
Opening angle	25°	25°	25°	25°	25°	25°	25°	25°
Rotation angle	110 ± 2°	110 ± 2°	93°	93°	100°	100°	100°	100°
Working pressure (recommended)	1 - 5 bar	1 - 5 bar	1 - 5 bar	1 - 5 bar	1 - 5 bar	1 - 5 bar	1 - 5 bar	1 - 5 bar
Burst pressure	55 - 60 bar	55 - 60 bar	>35 bar	>35 bar	>35 bar	>35 bar	>35 bar	>35 bar
Life cycle- EN 817 NF - 077 U3	175.000 cycles	175.000 cycles	175.000 cycles	175.000 cycles	175.000 cycles	175.000 cycles	175.000 cycles	140.000 cycles
x2 ASME 112.18.1 M	1.000.000 cycles	1.000.000 cycles	1.000.000 cycles	1.000.000 cycles	1.000.000 cycles	1.000.000 cycles	1.000.000 cycles	-
x2 GB 18145	143.000 cycles	143.000 cycles	-	-	-	-	-	-
Sensitivity ⁽²⁾	11-13°	12-14°	> 12°	> 12°	> 10°	> 10°	> 10°	> 10°
Fidelity ⁽²⁾	< 3 °C	-	< 5 °C	< 5 °C	< 5 °C	< 5 °C	< 5 °C	< 5 °C
Constant 63°C & 50°C ⁽²⁾ (6 l/min - 3l/min)	< 4 °C - < 6 °C	< 4 °C - < 6 °C	< 4 °C - < 6 °C	< 4 °C - < 6 °C	< 4 °C - < 6 °C	< 4 °C - < 6 °C	< 4 °C - < 6 °C	< 4 °C - < 6 °C
Noise level (C-Restrictor)	-	-	-	-	-	-	-	-
Max. hot water	90 °C	90 °C	90 °C	90 °C	90 °C	90 °C	90 °C	90 °C
Operation Torque								
Open-close	0,2 - 0,3 Nm	0,2 - 0,3 Nm	0,2 - 0,3 Nm	0,2 - 0,3 Nm	0,2 - 0,3 Nm	0,2 - 0,3 Nm	0,2 - 0,3 Nm	0,15 - 0,35 Nm
Turn at closed	0,2 - 0,3 Nm	0,2 - 0,3 Nm	0,2 - 0,3 Nm	0,2 - 0,3 Nm	0,2 - 0,3 Nm	0,2 - 0,3 Nm	0,2 - 0,3 Nm	0,1 - 0,25 Nm
Turn at opened	0,2 - 0,3 Nm	0,2 - 0,3 Nm	0,2 - 0,3 Nm	0,2 - 0,3 Nm	0,2 - 0,3 Nm	0,2 - 0,3 Nm	0,2 - 0,3 Nm	0,15 - 0,3 Nm
Flow rate @ 3 bar⁽²⁾								
Free Flow	20,1 l/min	19,8 l/min	16,5 l/min	20 l/min	22,8 l/min	22,8 l/min	22,8 l/min	22,8 l/min
C-Restrictor	-	-	-	-	-	-	-	-
A-Restrictor	11,7 l/min	12 l/min	10,5 l/min	11,4 l/min	12 l/min	12 l/min	12 l/min	12 l/min

⁽¹⁾ The prescribed tightening torque is related to faucet body and nut both in brass material, pitch 1,5 mm and no lubricant applied on the threads. For other faucet body – nut material combinations please contact SEDAL.

⁽²⁾ Measured with SEDAL faucet.

SN-35 Termaclick

Regular



Description

The Termaclick cartridge features a mid-stroke click at the comfort temperature point, helping reduce energy waste while providing smooth operation. This valve also includes a cold start function and is available in 35mm and a mirrored version for kitchen applications.

Openings



Cold



Cold-Mirror

Advantages

Improved Performance

Understanding that smaller cartridges often face challenges in tough conditions, Sedal has developed a new valve that greatly improves technical specifications compared to market standards.

Our advancements include:

- +10% increase in flow rate than the nearest competitor.
- Improves operational comfort

Noise Performance

SN-35 cartridges operate at less than 20dB, which is 20% quieter than the average in its market segment and even its closest competitor. This reduced noise level ensures a quieter user experience, making it ideal for applications where sound reduction is important.

Certifications



Technologies



Termaclick

Versions

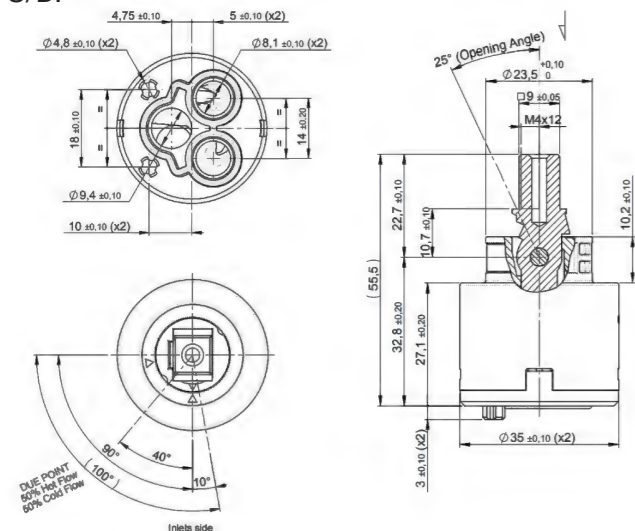
	Short base (SD)	Long base (CD)	Opening	Temperature Limiter (TR)	Temperature & Flow limiter (TRN)	Due	Special Function
SN-35 Cold Termaclick 100°	08SN35S2003	08SN35L2003	Cold				Termaclick
SN-35 Cold Termaclick 93°	08SN35S2005	08SN35L2005	Cold				Termaclick
SN-35 Cold-Mirror Termaclick 100°	08SN35S2004	08SN35L2004	Cold-Mirror				Termaclick
SN-35 Cold-Mirror Termaclick 93°	08SN35S2006	08SN35L2006	Cold-Mirror				Termaclick

Technical Specifications

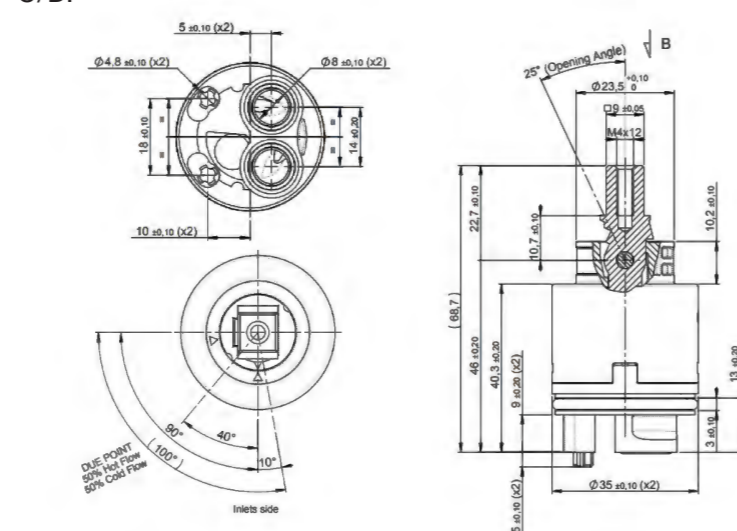
	SN-35 Cold Termaclick 100°	08SN35S2003	08SN35L2003	SN-35 Cold Termaclick 93°	08SN35S2005	08SN35L2005	SN-35 Cold-Mirror Termaclick 100°	08SN35S2004	SN-35 Cold-Mirror Termaclick 93°	08SN35S2006	08SN35L2006
General											
Nut torque ⁽¹⁾		10 - 12 Nm	10 - 12 Nm		10 - 12 Nm	10 - 12 Nm		10 - 12 Nm		10 - 12 Nm	10 - 12 Nm
Opening angle		25°	25°		25°	25°		25°		25°	25°
Rotation angle		100°	100°		93°	93°		93°		93°	93°
Working pressure (recommended)		1 - 5 bar	1 - 5 bar		1 - 5 bar	1 - 5 bar		1 - 5 bar		1 - 5 bar	1 - 5 bar
Burst pressure		> 35 bar	> 35 bar		> 35 bar	> 35 bar		> 35 bar		> 35 bar	> 35 bar
Life cycle- EN 817 NF - 077 U3		140.000 cycles	140.000 cycles		140.000 cycles	140.000 cycles		140.000 cycles		140.000 cycles	140.000 cycles
Sensitivity ⁽²⁾		> 10 mm	> 10 mm		> 10 mm	> 10 mm		> 10 mm		> 10 mm	> 8 mm
Fidelity ⁽²⁾		< 5 °C	< 5 °C		< 5 °C	< 5 °C		< 5 °C		< 5 °C	< 5 °C
Constant 63°C & 50°C ⁽²⁾ (6 l/min - 3l/min)											
Noise level (C-Restrictor)											
Max. hot water		90 °C	90 °C		90 °C	90 °C		90 °C		90 °C	90 °C
Operation Torque											
Open-close		0,15 - 0,35 Nm	0,15 - 0,35 Nm		0,15 - 0,35 Nm	0,15 - 0,35 Nm		0,15 - 0,35 Nm		0,15 - 0,35 Nm	0,15 - 0,35 Nm
Turn at closed		0,1 - 0,25 Nm	0,1 - 0,25 Nm		0,1 - 0,25 Nm	0,1 - 0,25 Nm		0,1 - 0,25 Nm		0,1 - 0,25 Nm	0,1 - 0,25 Nm
Turn at opened		0,15 - 0,3 Nm	0,15 - 0,3 Nm		0,15 - 0,3 Nm	0,15 - 0,3 Nm		0,15 - 0,3 Nm		0,15 - 0,3 Nm	0,15 - 0,3 Nm
Click in close (total torque)		0,5 - 0,7 Nm	0,5 - 0,7 Nm		0,5 - 0,7 Nm	0,5 - 0,7 Nm		0,5 - 0,7 Nm		0,5 - 0,7 Nm	0,3 - 0,5 Nm
Click in open (total torque)		0,6 - 0,8 Nm	0,6 - 0,8 Nm		0,6 - 0,8 Nm	0,6 - 0,8 Nm		0,6 - 0,8 Nm		0,6 - 0,8 Nm	0,4 - 0,7 Nm
Flow rate @ 3 bar⁽²⁾											
Free Flow		21,4 l/min	24,9 l/min		21,4 l/min	24,9 l/min		21,4 l/min		24,9 l/min	22,9 l/min
A-Restrictor		11,8 l/min	12,7 l/min		11,8 l/min	12,7 l/min		11,8 l/min		12,7 l/min	11,9 l/min

Dimensions

S/D:



C/D:



EN-35

Regular



Description

The 35mm cartridge offers double the endurance of standard life cycle tests, thanks to SedalOX® ceramics reinforced with our exclusive Nano Shelter Technology, ensuring enhanced durability and smooth operation. With various advanced technologies for both the cartridge body and ceramics, the ENDURA 35 provides exceptional performance in water and energy efficiency.

Designed to exceed ASME and EN standards, the ENDURA 35 range offers manufacturers 18 options and over 100 possible combinations, making it a versatile choice for diverse faucet designs.

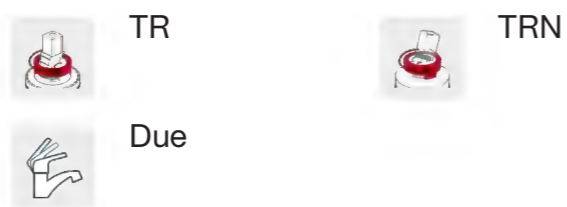
Openings



Certifications



Technologies



Advantages

Smooth operation

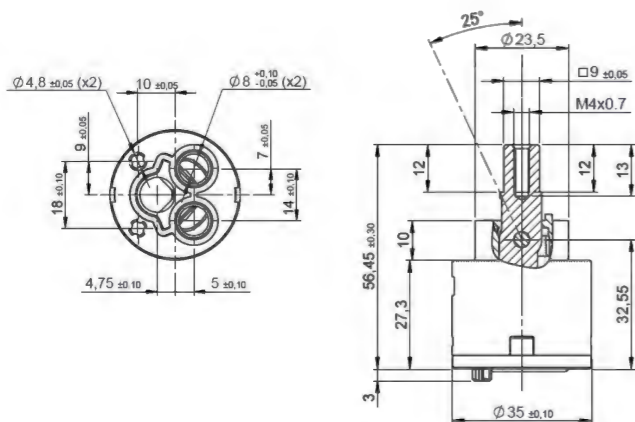
Offer up to 3x smoother operation than standard mechanical cartridges, providing a feel similar to a 35mm cartridge. Built with strong materials, they ensure smooth performance even in very hot water conditions.

Noise Performance

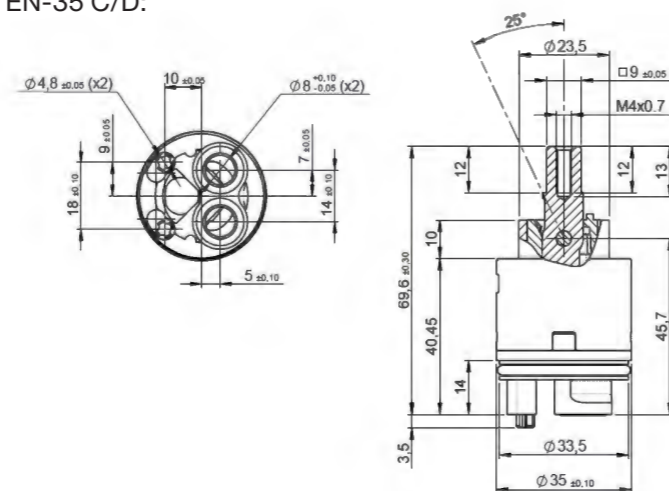
SN-35 cartridges operate at less than 20dB, which is 20% quieter than the average in its market segment and even its closest competitor. This reduced noise level ensures a quieter user experience, making it ideal for applications where sound reduction is important.

Dimensions

EN-35 S/D:



EN-35 C/D:



Versions

	Short base (SD)	Long base (CD)	Opening	Temperature Limiter (TR)	Temperature & Flow limiter (TRN)	Due	Special Function
EN-35	08EN35S0004	08EN35L0004	Standard				
EN-35 TR	08EN35S5401	08EN35L5401	Standard	x			
EN-35 TRN	08EN35S4501	08EN35L4501	Standard		x		
EN-35 Due	08EN35S3001	08EN35L3001	Standard			x	
EN-35 TR Due	08EN35S5701	08EN35L5701	Standard	x		x	
EN-35 TRN Due	On Demand	On Demand	Standard		x	x	
EN-35 Cold	08EN35S1503	08EN35L1503	Cold				
EN-35 Cold TR	08EN35S2501	08EN35L2501	Cold	x			
EN-35 Cold TRN	08EN35S4001	08EN35L4001	Cold		x		
EN-35 Cold-Mirror	08EN35S1505	08EN35L1505	Cold-Mirror				
EN-35 Cold Due	08EN35S0005	08EN35L0005	Cold			x	
EN-35 Cold TR Due	08EN35S5001	08EN35L5001	Cold	x		x	
EN-35 Cold TRN Due	08EN35S5501	08EN35L5501	Cold		x	x	
EN-35 Cold-Mirror Due	-	08EN35L2002	Cold-Mirror			x	

Technical Specifications

	EN-35	EN-35 TR	EN-35 TRN	EN-35 Due	EN-35 TR Due	EN-35 Cold	EN-35 Cold TR	EN-35 Cold TRN	EN-35 Cold Due	EN-35 Cold TRN Due	EN-35 Cold-Mirror Due
General											
Nut torque ⁽¹⁾	10 - 12 Nm	10 - 12 Nm	10 - 12 Nm	10 - 12 Nm	10 - 12 Nm	10 - 12 Nm	10 - 12 Nm	10 - 12 Nm	10 - 12 Nm	10 - 12 Nm	10 - 12 Nm
Opening angle	25°	25°	25°	25°	25°	25°	25°	25°	25°	25°	25°
Rotation angle	90°	90°	110° ± 2°	110° ± 2°	110° ± 2°	110° ± 2°	110° ± 2°	110° ± 2°	110° ± 2°	110° ± 2°	110° ± 2°
Working pressure (recommended)	1 - 5 bar	1 - 5 bar	1 - 5 bar	1 - 5 bar	1 - 5 bar	1 - 5 bar	1 - 5 bar	1 - 5 bar	1 - 5 bar	1 - 5 bar	1 - 5 bar
Burst pressure	> 50 bar	> 50 bar	55 - 60 bar	55 - 60 bar	55 - 60 bar	55 - 60 bar	55 - 60 bar	55 - 60 bar	55 - 60 bar	55 - 60 bar	> 50 bar
Life cycle- EN 817 NF - 077 U3	175.000 cycles	175.000 cycles	175.000 cycles	175.000 cycles	175.000 cycles	175.000 cycles	175.000 cycles	175.000 cycles	175.000 cycles	175.000 cycles	70.000 cycles
x2 ASME 112.18.1 M	1.000.000 cycles	1.000.000 cycles	1.000.000 cycles	1.000.000 cycles	1.000.000 cycles	1.000.000 cycles	1.000.000 cycles	1.000.000 cycles	1.000.000 cycles	1.000.000 cycles	70.000 cycles
x2 GB-18145	140.000 cycles	140.000 cycles	143.000 cycles	143.000 cycles	143.000 cycles	143.000 cycles	143.000 cycles	143.000 cycles	143.000 cycles	143.000 cycles	70.000 cycles
Sensitivity (r = 45 mm) ⁽²⁾	11°	11°	12° - 14°	12° - 14°	12° - 14°	12° - 14°	12° - 14°	12° - 14°	12° - 14°	12° - 14°	13°
Fidelity ⁽²⁾	< 5 °C	< 5 °C	< 1 °C	< 1 °C	< 1 °C	< 1 °C	< 1 °C	< 1 °C	< 1 °C	< 1 °C	< 1 °C
Constant 63°C & 50°C ⁽²⁾	< 4 °C - < 6 °C	< 4 °C - < 6 °C	< 0,5 °C - < 1,5 °C	< 0,5 °C - < 1,5 °C	< 0,5 °C - < 1,5 °C	< 0,5 °C - < 1,5 °C	< 0,5 °C - < 1,5 °C	< 0,5 °C - < 1,5 °C	< 0,5 °C - < 1,5 °C	< 0,5 °C - < 1,5 °C	< 0,5 °C - < 1,2 °C
(6 l/min - 3l/min)											
Noise (NF077) - Rh-A @ 3 bar	24,5 ± 2 dB ⁽²⁾	22 ± 2 dB ⁽²⁾	24,5 ± 2 dB ⁽²⁾	22 ± 2 dB ⁽²⁾	24,5 ± 2 dB ⁽²⁾	22 ± 2 dB ⁽²⁾	24,5 ± 2 dB ⁽²⁾	22 ± 2 dB ⁽²⁾	24,5 ± 2 dB ⁽²⁾	22 ± 2 dB ⁽²⁾	24,5 ± 2 dB ⁽²⁾
Max. hot water	90 °C	90 °C	90 °C	90 °C	90 °C	90 °C	90 °C	90 °C	90 °C	90 °C	90 °C
Operation Torque											
Open-close	0,2 - 0,4 Nm	0,2 - 0,4 Nm	0,2 - 0,3 Nm	0,2 - 0,3 Nm	0,2 - 0,3 Nm	0,2 - 0,3 Nm	0,2 - 0,3 Nm	0,2 - 0,3 Nm	0,2 - 0,3 Nm	0,2 - 0,3 Nm	0,2 - 0,3 Nm
Turn at closed	0,2 - 0,4 Nm	0,2 - 0,4 Nm	0,2 - 0,3 Nm	0,2 - 0,3 Nm	0,2 - 0,3 Nm	0,2 - 0,3 Nm	0,2 - 0,3 Nm	0,2 - 0,3 Nm	0,2 - 0,3 Nm	0,2 - 0,3 Nm	0,2 - 0,3 Nm
Turn at opened	0,2 - 0,4 Nm	0,2 - 0,4 Nm	0,2 - 0,3 Nm	0,2 - 0,3 Nm	0,2 - 0,3 Nm	0,2 - 0,3 Nm	0,2 - 0,3 Nm	0,2 - 0,3 Nm	0,2 - 0,3 Nm	0,2 - 0,3 Nm	0,2 - 0,3 Nm
Flow rate @ 3 bar ⁽²⁾											
Free Flow	26,1 l/min	27,7 l/min	16,2 l/min	19,4 l/min	16,2 l/min	19,4 l/min	16,2 l/min	19,4 l/min	16,2 l/min	19,4 l/min	16,2 l/min
A-Restrictor	20,2 l/min	20,8 l/min	11,2 l/min	12 l/min	11,2 l/min	12 l/min	11,2 l/min	12 l/min	11,2 l/min	12 l/min	11,2 l/min

⁽¹⁾ The prescribed tightening torque is related to faucet body and nut both in brass material, pitch 1,5 mm and no lubricant applied on the threads. For other faucet body - nut material combinations please contact SEDAL.

⁽²⁾ Measured with SEDAL faucet.

SN-35

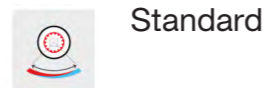
Regular



Description

Sedal's classic SN cartridge has stood the test of time, delivering consistent performance over the years. With ongoing improvements, this cartridge now features TRN technology, allowing significant water and energy savings. The integrated clutch ensures smooth operation, making it a reliable choice for modern faucet designs. Additionally, it meets key industry certifications, reflecting Sedal's commitment to quality and compliance with the highest standards.

Openings



Certifications



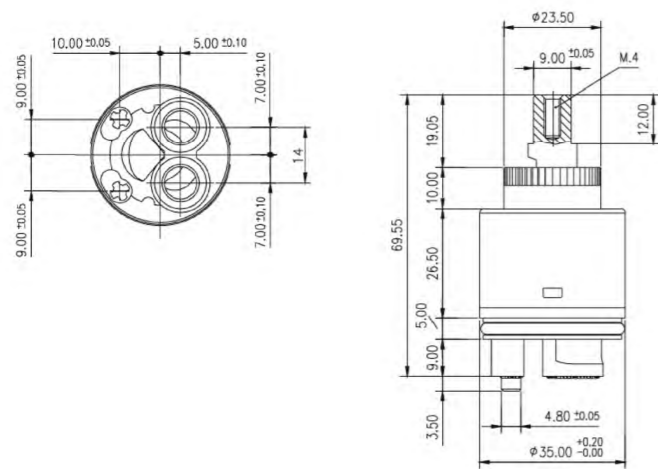
Advantages

Smooth Operation

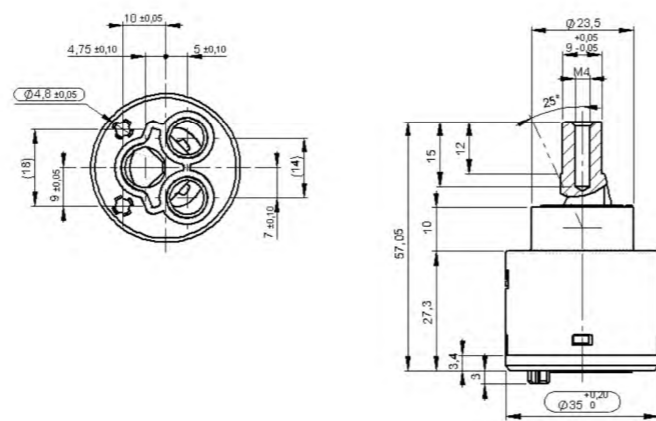
These cartridges offer up to 3 times smoother operation than most standard mechanical cartridges, providing a even feel when operated. Enjoy smooth performance even under very hot water conditions.

Dimensions

C/D:



S/D:



Versions

	Short base (SD)	Long base (CD)	Opening	Temperature Limiter (TR)	Temperature & Flow limiter (TRN)	Due	Special Function
SN-35	08SN35FG000	08SN35LGO00	Standard				

Technical Specifications

	SN-35	08SN35FG000	08SN35LGO00
General			
Nut torque ⁽¹⁾		10 - 12 Nm	10 - 12 Nm
Opening angle		25°	25°
Rotation angle		90°	90°
Working pressure (recommended)		1 - 5 bar	1 - 5 bar
Burst pressure		75 bar	50 - 60 bar
Life cycle - EN 817		143.000 cycles	143.000 cycles
Sensitivity ⁽²⁾		13° - 15°	11° - 14°
Fidelity ⁽²⁾		2° - 3°	1° - 3°
Constant 63°C & 50°C ⁽²⁾ (6 l/min - 3l/min)		< 4 °C - < 6 °C	< 4 °C - < 6 °C
Max. hot water		90 °C	90 °C
Operation Torque			
Open-close		0,2 - 0,3 Nm	0,2 - 0,25 Nm
Turn at closed		0,2 - 0,3 Nm	0,2 - 0,25 Nm
Turn at opened		0,2 - 0,3 Nm	0,2 - 0,25 Nm
Flow rate (free flow) ⁽²⁾			
Basin DN8 Free Flow		21 l/min	23,4 l/min
Basin DN8 RhC		17,4 l/min	18,3 l/min

⁽¹⁾ The prescribed tightening torque is related to faucet body and nut both in brass material, pitch 1,5 mm and no lubricant applied on the threads. For other faucet body - nut material combinations please contact SEDAL.

⁽²⁾ Measured with SEDAL faucet.

EN-35

Regular



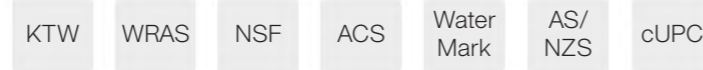
Description

Sedal's classic standard cartridge has demonstrated reliable performance throughout the years. As one of our oldest models, we have continuously perfected its design to meet modern demands. Featuring Due technology for water saving, this cartridge operates without a clutch and delivers consistent results. It also complies with the most important industry certifications, ensuring it meets the highest standards for quality and safety.

Openings



Certifications



Advantages

Strong Materials

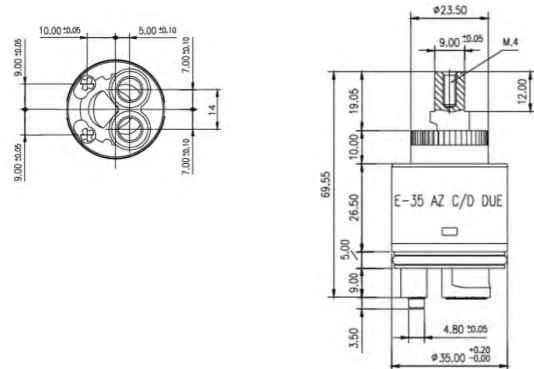
Constructed with strong and long-lasting materials, these cartridges are designed to provide the best user experience

Smooth Operation

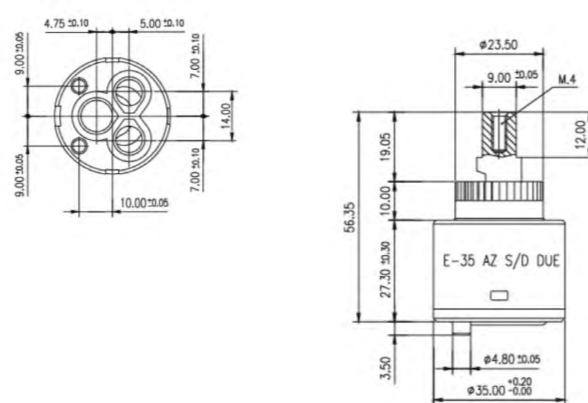
These cartridges offer up to 3 times smoother operation than most standard mechanical cartridges, providing a even feel when operated. Enjoy smooth performance even under very hot water conditions.

Dimensions

C/D:



S/D:



Versions

	Short base (SD)	Long base (CD)	Opening	Temperature Limiter (TR)	Temperature & Flow limiter (TRN)	Due	Special Function
EN-35	08EN35S0003	08EN35L0003	Standard				
EN-35 Reverse	08EN35S0032	-	Standard				

Technical Specifications

	EN-35 Due	08EN35S0003	08EN35L0003	EN-35 Reverse	08EN35S0032
General					
Nut torque ⁽¹⁾		10 - 12 Nm	10 - 12 Nm		10 - 12 Nm
Opening angle		23°	23°		23°
Rotation angle		90°	90°		90°
Working pressure (recommended)		1 - 5 bar	1 - 5 bar		1 - 5 bar
Burst pressure		50 bar bar	50 bar bar		> 50 bar bar
Life cycle - EN 817 NF - 077 U3 ASME 112.18.1 M		70.000 cycles 500.000 cycles	70.000 cycles 500.000 cycles		70.000 cycles 500.000 cycles
Sensitivity ⁽²⁾		> 12°	> 12°		> 14°
Fidelity ⁽²⁾		< 3 °C	< 3 °C		< 3 °C
Constant 63°C & 50°C ⁽²⁾ (6 l/min - 3l/min)		< 2,5 °C - < 4,5 °C	< 2,5 °C - < 4,5 °C		< 2°C
Max. hot water		90 °C	90 °C		90 °C
Operation Torque					
Open-close		0,25 - 0,4 Nm	0,25 - 0,4 Nm		0,25 - 0,45 Nm
Turn at closed		0,15 - 0,4 Nm	0,15 - 0,4 Nm		0,15 - 0,4 Nm
Turn at opened		0,15 - 0,4 Nm	0,15 - 0,4 Nm		0,15 - 0,4 Nm
Flow rate (free flow) ⁽²⁾					
Basin DN8 Free Flow		23,1 l/min	22,3 l/min		17,5 l/min
Basin DN8 RhD		19,8 l/min	19,4 l/min		11,2 l/min

⁽¹⁾ The prescribed tightening torque is related to faucet body and nut both in brass material, pitch 1,5 mm and no lubricant applied on the threads. For other faucet body - nut material combinations please contact SEDAL.

⁽²⁾ Measured with SEDAL faucet.

E-35

Regular



Description

Sedal's classic standard cartridge has demonstrated reliable performance throughout the years. As one of our oldest models, we have continuously perfected its design to meet modern demands. Featuring Due technology for water saving, this cartridge operates without a clutch and delivers consistent results. It also complies with the most important industry certifications, ensuring it meets the highest standards for quality and safety.

Openings



Certifications



Technologies



Advantages

Strong Materials

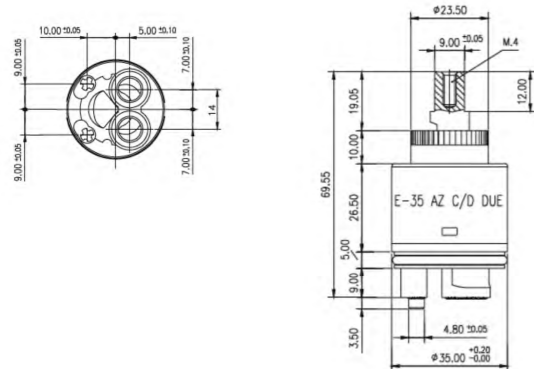
Constructed with strong and long-lasting materials, these cartridges are designed to provide the best user experience

Smooth Operation

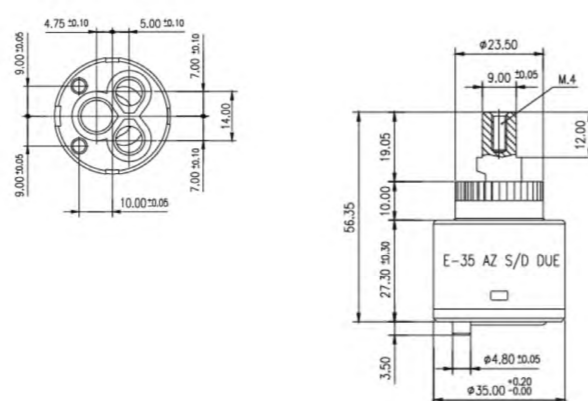
These cartridges offer up to 3 times smoother operation than most standard mechanical cartridges, providing a even feel when operated. Enjoy smooth performance even under very hot water conditions.

Dimensions

C/D:



S/D:



Versions

	Short base (SD)	Long base (CD)	Opening	Temperature Limiter (TR)	Temperature & Flow limiter (TRN)	Due	Special Function
E-35 Due	08E35FAZ30	08E35LAZ30	Standard			x	

Technical Specifications

	E-35	08E35FAZ30	08E35LAZ30
General			
Nut torque ⁽¹⁾		10 - 12 Nm	10 - 12 Nm
Opening angle		25°	25°
Rotation angle		90°	90°
Working pressure (recommended)		1 - 5 bar	1 - 5 bar
Burst pressure		28 - 35 bar	28 - 35 bar
Life cycle - EN 817 NF - 077 U3 ASME 112.18.1 M		70.000 cycles 500.000 cycles	70.000 cycles 500.000 cycles
Sensitivity ⁽²⁾		8,9° - 9,2°	10 - 11°
Fidelity ⁽²⁾		< 4,1 °C	< 4,51 °C
Constant 63°C & 50°C ⁽²⁾ (6 l/min - 3l/min)		< 4 °C - < 6 °C	< 4 °C - < 6 °C
Max. hot water		90 °C	90 °C
Operation Torque			
Open-close		0,19 - 0,25 Nm	0,19 - 0,25 Nm
Turn at closed		0,22 - 0,33 Nm	0,22 - 0,33 Nm
Turn at opened		0,22 - 0,33 Nm	0,22 - 0,33 Nm
Flow rate (free flow) ⁽²⁾			
Basin DN8 Free Flow		22,6 l/min	25 l/min
Basin DN8 RhD		18 l/min	19,5l/min

⁽¹⁾ The prescribed tightening torque is related to faucet body and nut both in brass material, pitch 1,5 mm and no lubricant applied on the threads. For other faucet body – nut material combinations please contact SEDAL.

⁽²⁾ Measured with SEDAL faucet.

EN-35 Basic High Performance

Regular



Description

Sedal's Basic standard cartridge has demonstrated reliable performance throughout the years. This new version High Performance has a higher flow rate as well better sensitivity, that allows to increase the range of applications.

Openings



Standard



Cold

Advantages

Improved Performance

Understanding that smaller cartridges often face challenges in tough conditions, Sedal has developed a new valve that greatly improves technical specifications compared to market standards.

Our advancements include:

+20% increase in flow rate than the previous version.

Strong Materials

Constructed with strong and long-lasting materials, these cartridges are designed to provide the best user experience

Smooth Operation

These cartridges offer up to 3 times smoother operation than most standard mechanical cartridges, providing a even feel when operated. Enjoy smooth performance even under very hot water conditions.

Certifications

KTW

ACS

AZ/
N/ZS

Versions

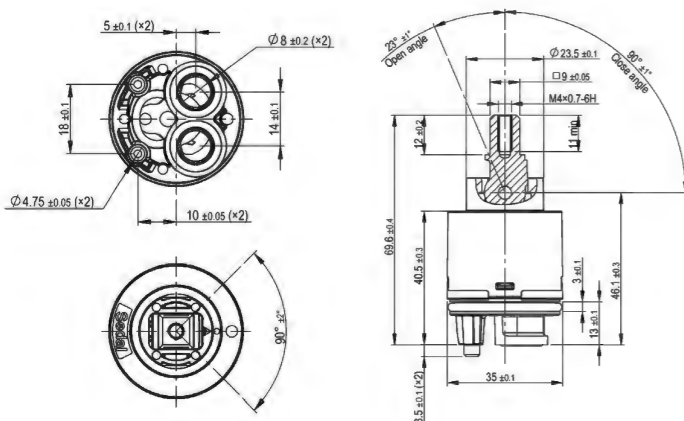
	Short base (SD)	Long base (CD)	Opening	Temperature Limiter (TR)	Temperature & Flow limiter (TRN)	Due	Special Function
EN-35 High Performance	08EN35S0014	08EN35L0014	Standard				
EN-35 High Performance w/ certifications	08EN35S0039	08EN35L0039	Standard				
EN-35 Cold High Performance w/ certifications	08EN35S1510	08EN35L1510	Cold				

Technical Specifications

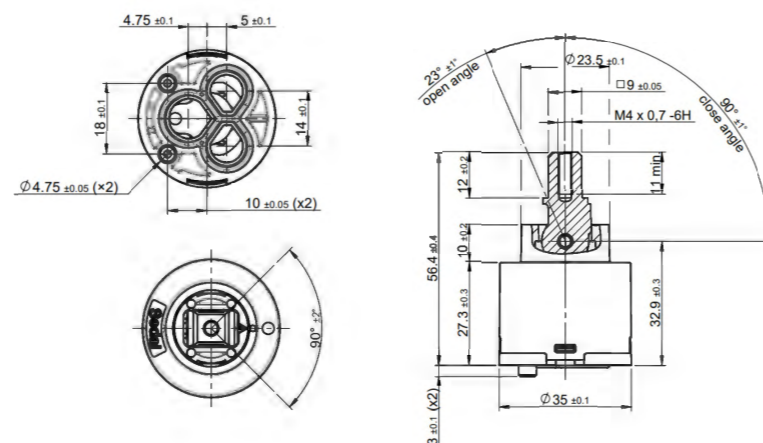
	EN-35 Cold High Performance	08EN35S1510	EN-35 High Performance w/ certifications	08EN35S0039 08EN35L0039
General				
Nut torque M1,5		10 - 12 Nm		10 - 12 Nm
Opening angle		23°		23°
Rotation angle		90°		90°
Working pressure (recommended)		1 - 5 bar		1 - 5 bar
Burst pressure		> 50 bar		> 50 bar
Life cycle- EN 817 NF - 077 U3		70.000 cycles		70.000 cycles
x3 ASME 112.18.1 M		500.000 cycles		500.000 cycles
x3 GB-18145		70.000 cycles		70.000 cycles
Sensitivity		> 12°		> 12°
Fidelity		< 5 °C		< 5 °C
Constant 63°C & 50°C (6 l/min - 3l/min)		< 4 °C - < 6 °C		< 4 °C - < 6 °C
Max. hot water		90 °C		90 °C
Noise (NF077) - Class A, @3 bar		Group I		Group I
Operation Torque				
Open-close		0,2 - 0,4 Nm		0,2 - 0,4 Nm
Turn at closed		0,2 - 0,4 Nm		0,2 - 0,4 Nm
Turn at opened		0,2 - 0,4 Nm		0,2 - 0,4 Nm
Flow rate (free flow) @ 3 bar				
Free Flow		27,1 l/min		30 l/min
B-Restrictor		17,1 l/min		17,4 l/min

Dimensions

C/D:



S/D:



EN-35 Basic

Regular



Description

This 35mm basic cartridge from Sedal is available with or without a distributor, making it adaptable for various faucet applications. Specially designed for washbasins, bath-showers, and kitchen faucets, it is certified by ACS among others, ensuring it meets stringent industry standards for quality and safety.

Openings

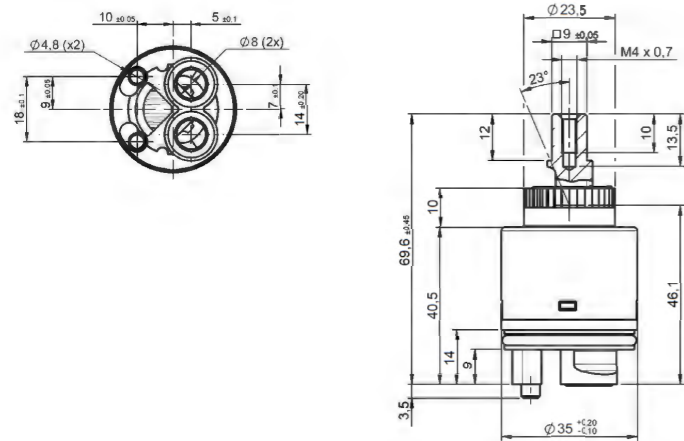
-  Standard
-  Cold-Mirror
-  Cold

Technologies

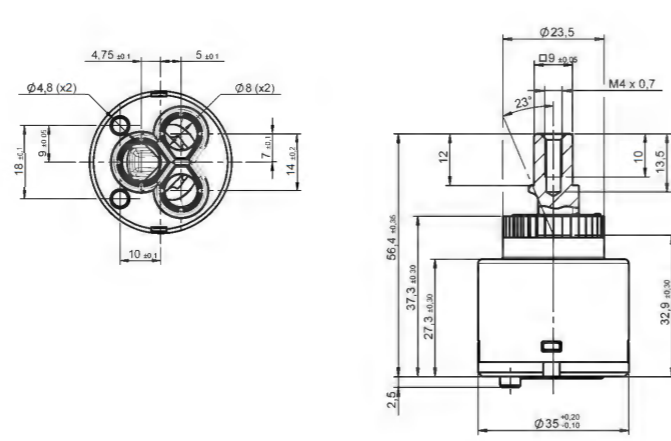
-  Due

Dimensions

C/D:



S/D:



Versions

	Short base (SD)	Long base (CD)	Opening	Temperature Limiter (TR)	Temperature & Flow limiter (TRN)	Due	Special Function
EN-35 Basic	08EN35S0011	08EN35L0011	Standard				
EN-35 Basic Cold	08EN35S1508	-	Cold				
EN-35 Basic Cold Due	08EN35S2003	-	Cold			x	
EN-35 Basic Cold-Mirror	08EN35S1509	-	Cold-Mirror				
EN-35 Basic Cold-Mirror Due	08EN35S2004	-	Cold-Mirror			x	

Technical Specifications

	EN-35 BASIC	08EN35S0011	08EN35L0011	EN-35 BASIC Cold	08EN35S1508
General					
Nut torque M1,5		10 - 12 Nm	10 - 12 Nm		10 - 12 Nm
Opening angle		23°	23°		25°
Rotation angle		90°	90°		93°
Working pressure (recommended)		1 - 5 bar	1 - 5 bar		1 - 5 bar
Burst pressure		> 50 bar	> 50 bar		> 35 bar
Life cycle- EN 817 NF - 077 U3		70.000 cycles	70.000 cycles		175.000 cycles
x3 ASME 112.18.1 M		500.000 cycles	500.000 cycles		-
Sensitivity		> 12°	> 12°		> 12°
Fidelity		< 3 °C	< 3 °C		-
Constant 63°C & 50°C (6 l/min - 3l/min)		< 2,5 °C - < 4,5 °C	< 2,5 °C - < 4,5 °C		-
Max. hot water		90 °C	90 °C		90 °C
Operation Torque					
Open-close		0,25 - 0,4 Nm	0,25 - 0,4 Nm		0,25 - 0,35 Nm
Turn at closed		0,15 - 0,4 Nm	0,15 - 0,4 Nm		0,25 - 0,35 Nm
Turn at opened		0,15 - 0,4 Nm	0,15 - 0,4 Nm		0,25 - 0,35 Nm
Flow rate (free flow @ 3 bas)					
Free Flow		23,1 l/min	22,3 l/min		21,3 l/min
A-Restrictor		19,8 l/min	19,4 l/min		11,1 l/min

G-35 TOP

Upper Sealing



Description

Upper sealed cartridges allow the manufacturer to work with different faucet configurations, including those in which the spout is located on the upper side. Some of these cartridges also provide extra productivity thanks to their design. G-35 TOP is a 35mm cartridge created to be the best in class, outstanding its competitors in all fields and offering the manufacturer a perfect balanced cartridge with an extraordinary endurance.

Openings



Standard



Cold

Certifications

KTW

ACS

Technologies



TR



Due

Advantages

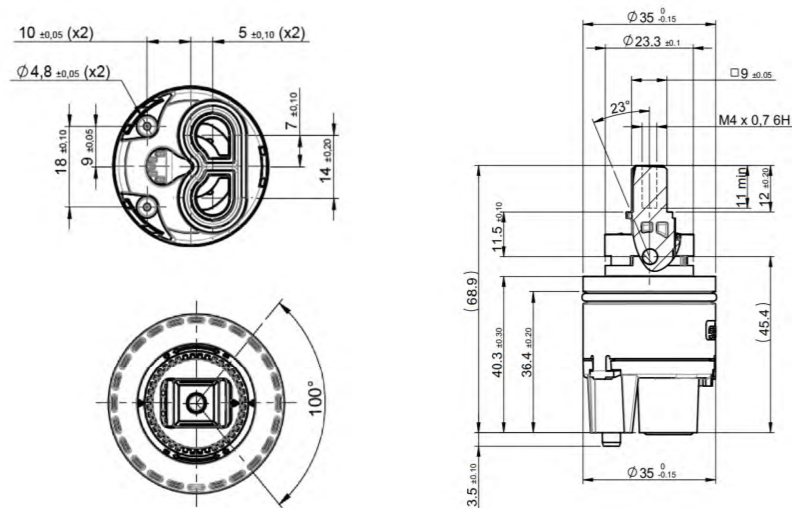
Smooth operation

Offer up to 3x smoother operation than standard mechanical cartridges, providing a feel similar to a 35mm cartridge. Built with strong materials, they ensure smooth performance even in very hot water conditions.

Noise Performance

SN-35 cartridges operate at less than 20dB, which is 20% quieter than the average in its market segment and even its closest competitor. This reduced noise level ensures a quieter user experience, making it ideal for applications where sound reduction is important.

Dimensions



Versions

	GC Upper Sealing	EX Upper Sealing	CC Upper Sealing	G Upper Sealing	Opening	Temperature Limiter (TR)	Temperature & Flow limiter (TRN)	Due	Special Function
G-35 TOP TR	-	-	-	08G35L0502	Standard	x			
G-35 TOP TR Due	-	-	-	08G35L3501	Standard	x		x	
G-35 TOP Cold TR	-	-	-	08G35L2501	Cold	x			
G-35 TOP Cold TR Due	-	-	-	08G35L5002	Cold	x		x	

Technical Specifications

	G-35 TOP TR 08G35L0502	G-35 TOP Cold TR 08G35L2501	
	G-35 TOP TR Due 08G35L3501	G-35 TOP Cold TR Due 08G35L5002	
General			
Nut torque ⁽¹⁾	10 - 12 Nm		10 - 12 Nm
Opening angle	23°		23°
Rotation angle	100°		93°
Working pressure (recommended)	1 - 5 bar		1 - 5 bar
Burst pressure	> 50 bar		> 50 bar
Life cycle- EN 817 NF - 077 U3	175.000 cycles		175.000 cycles
x3 ASME 112.18.1 M	1.500.000 cycles		1.500.000 cycles
x3 GB-18145	210.000 cycles		210.000 cycles
Sensitivity (r= 45 mm) ⁽²⁾	>12°		>12°
Fidelity ⁽²⁾	< 5 °C		< 5 °C
Constant 63°C & 50°C ⁽²⁾ (6 l/min - 3l/min)	< 4 °C - < 6 °C		< 4 °C - < 6 °C
Noise (NF077) - Rh-A @ 3 bar	Accustic Group I		Accustic Group I
Max. hot water	90 °C		90 °C
Operation Torque			
Open-close	0,2 - 0,4 Nm		0,2 - 0,4 Nm
Turn at closed	0,2 - 0,4 Nm		0,2 - 0,4 Nm
Turn at opened	0,2 - 0,4 Nm		0,2 - 0,4 Nm
Flow rate @ 3 bar⁽²⁾			
Free Flow	27,7 l/min		27,7 l/min
A-Restrictor	12,6 l/min		12,6 l/min

⁽¹⁾ The prescribed tightening torque is related to faucet body and nut both in brass material, pitch 1,5 mm and no lubricant applied on the threads. For other faucet body – nut material combinations please contact SEDAL.

⁽²⁾ Measured with SEDAL faucet.

EX-35 TOP

Upper Sealing



Description

To allow any manufacturer the possibility to use the TOP family in all their faucets, we have updated this range with an upper Sealing Compact cartridge version, allowing the manufacturer to create minimalistic faucets without giving up the highperformance features of the cartridges. Of course, it will still count with all different technologies and advantages of a top EX family.

Type



Standard



Cold

Advantages

Smooth operation

Offer up to 3x smoother operation than standard mechanical cartridges, providing a feel similar to a 35mm cartridge. Built with strong materials, they ensure smooth performance even in very hot water conditions.

Noise Performance

SN-35 cartridges operate at less than 20dB, which is 20% quieter than the average in its market segment and even its closest competitor. This reduced noise level ensures a quieter user experience, making it ideal for applications where sound reduction is important.

Certifications



KTW



WRAS



ACS

Technologies



TR

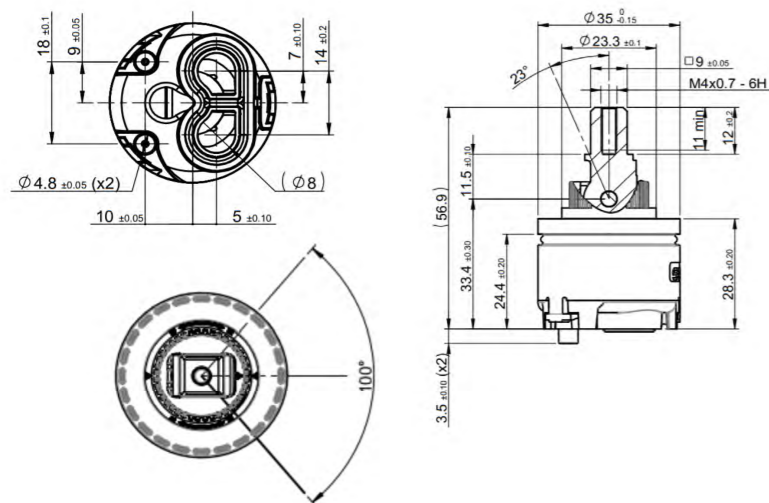


TRN



Due

Dimensions



Versions

	GC Upper Sealing	EX Upper Sealing	CC Upper Sealing	G Upper Sealing	Opening	Temperature Limiter (TR)	Temperature & Flow limiter (TRN)	Due	Special Function
EX-35 TOP Compact	-	08EX35L0004	-	-	Standard				
EX-35 TOP Compact TR	-	08EX35L0504	-	-	Standard	x			
EX-35 TOP Compact TRN	-	08EX35L4505	-	-	Standard		x		
EX-35 TOP Compact TR Due	-	08EX35L3502	-	-	Standard	x		x	
EX-35 TOP Compact Cold	-	08EX35L1503	-	-	Cold				
EX-35 TOP Compact Cold TR	-	08EX35L2503	-	-	Cold	x			
EX-35 TOP Compact Cold TRN	-	08EX35L4003	-	-	Cold		x		
EX-35 TOP Compact Cold TR Due	-	08EX35L5003	-	-	Cold	x		x	

Technical Specifications

	EX-35 TOP Compact	08EX35L0004	EX-35 TOP Compact Cold	08EX35L1503
EX-35 TOP Compact TR		08EX35L0504	EX-35 TOP Compact Cold TR	08EX35L2503
EX-35 TOP Compact TRN		08EX35L4505	EX-35 TOP Compact Cold TRN	08EX35L4003
EX-35 TOP Compact TR Due		08EX35L3502	EX-35 TOP Compact Cold TR Due	08EX35L5003
General				
Nut torque ⁽¹⁾		10 - 12 Nm		10 - 12 Nm
Opening angle		23°		23°
Rotation angle		100°		93°
Working pressure (recommended)		1 - 5 bar		1 - 5 bar
Burst pressure		> 50 bar		> 50 bar
Life cycle- EN 817 NF - 077 U3		175.000 cycles		175.000 cycles
x3 ASME 112.18.1 M		1.500.000 cycles		1.500.000 cycles
x3 GB-18145		210.000 cycles		210.000 cycles
Sensitivity (r= 45 mm) ⁽²⁾		> 12°		> 12°
Fidelity ⁽²⁾		< 5 °C		< 5 °C
Constant 63°C & 50°C ⁽²⁾ (6 l/min - 3l/min)		< 4 °C - < 6 °C		< 4 °C - < 6 °C
Noise Rh-A @ 3 bar		Group I ⁽²⁾		Group I ⁽²⁾
Max. hot water		90 °C		90 °C
Operation Torque				
Open-close		0,2 - 0,4 Nm		0,2 - 0,4 Nm
Turn at closed		0,2 - 0,4 Nm		0,2 - 0,4 Nm
Turn at opened		0,2 - 0,4 Nm		0,2 - 0,4 Nm
Flow rate @ 3 bar ⁽²⁾				
Free Flow		27,3 l/min		27,3 l/min
A-Restrictor		11,3 l/min		11,3 l/min

⁽¹⁾ The prescribed tightening torque is related to faucet body and nut both in brass material, pitch 1,5 mm and no lubricant applied on the threads. For other faucet body – nut material combinations please contact SEDAL.

⁽²⁾ Measured with SEDAL faucet.

EX-35,4 TOP

Upper Sealing



Description

To allow any manufacturer the possibility to use the TOP family in all their faucets, we have updated this range with an upper Sealing Compact cartridge version, allowing the manufacturer to create minimalistic faucets without giving up the highperformance features of the cartridges. Of course, it will still count with all different technologies and advantages of a top EX family.

Type



Standard



Cold

Advantages

Smooth operation

Offer up to 3x smoother operation than standard mechanical cartridges, providing a feel similar to a 35mm cartridge. Built with strong materials, they ensure smooth performance even in very hot water conditions.

Noise Performance

SN-35 cartridges operate at less than 20dB, which is 20% quieter than the average in its market segment and even its closest competitor. This reduced noise level ensures a quieter user experience, making it ideal for applications where sound reduction is important.

Certifications

KTW

WRAS

ACS

Technologies



TR

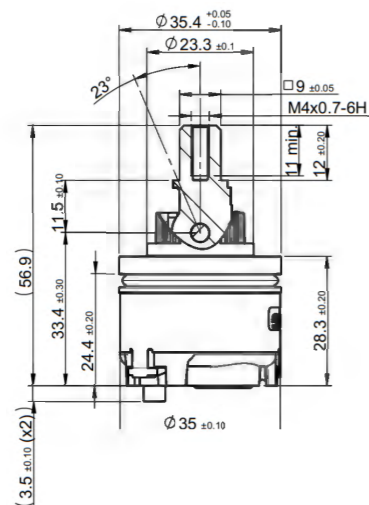
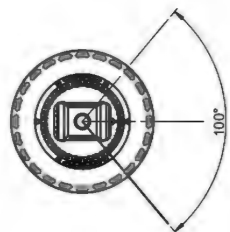
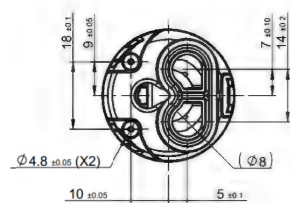


TRN



Due

Dimensions



Versions

	GC Upper Sealing	EX Upper Sealing	CC Upper Sealing	G Upper Sealing	Opening	Temperature Limiter (TR)	Temperature & Flow limiter (TRN)	Due	Special Function
EX-35,4 TOP Compact	-	08EX35L0003	-	-	Standard				
EX-35,4 TOP Compact TR	-	08EX35L0502	-	-	Standard	x			
EX-35,4 TOP Compact TRN	-	08EX35L4504	-	-	Standard		x		
EX-35,4 TOP Compact TR Due	-	08EX35L3501	-	-	Standard	x		x	
EX-35,4 TOP Compact Cold	-	08EX35L1502	-	-	Cold				
EX-35,4 TOP Compact Cold TR	-	08EX35L2502	-	-	Cold	x			
EX-35,4 TOP Compact Cold TRN	-	08EX35L4002	-	-	Cold		x		
EX-35,4 TOP Compact Cold TR Due	-	08EX35L5002	-	-	Cold	x		x	

Technical Specifications

	EX-35,4 TOP Compact	08EX35L0003	EX-35,4 TOP Compact Cold	08EX35L1502
EX-35,4 TOP Compact TR		08EX35L0502	EX-35,4 TOP Compact Cold TR	08EX35L2502
EX-35,4 TOP Compact TRN		08EX35L4504	EX-35,4 TOP Compact Cold TRN	08EX35L4002
EX-35,4 TOP Compact TR Due		08EX35L3501	EX-35,4 TOP Compact Cold TR Due	08EX35L5002
General				
Nut torque ⁽¹⁾	10 - 12 Nm		10 - 12 Nm	
Opening angle	23°		23°	
Rotation angle	100°		93°	
Working pressure (recommended)	1 - 5 bar		1 - 5 bar	
Burst pressure	> 50 bar		> 50 bar	
Life cycle- EN 817 NF - 077 U3	175.000 cycles	175.000 cycles	175.000 cycles	175.000 cycles
x3 ASME 112.18.1 M	1.500.000 cycles	1.500.000 cycles	1.500.000 cycles	1.500.000 cycles
x3 GB-18145	210.000 cycles	210.000 cycles	210.000 cycles	210.000 cycles
Sensitivity (r= 45 mm) ⁽²⁾	> 12°		> 12°	
Fidelity ⁽²⁾	< 5 °C		< 5 °C	
Constant 63°C & 50°C ⁽²⁾ (6 l/min - 3l/min)	< 4 °C - < 6 °C		< 4 °C - < 6 °C	
Noise Rh-A @ 3 bar	Group I ⁽²⁾		Group I ⁽²⁾	
Max. hot water	90 °C		90 °C	
Operation Torque				
Open-close	0,2 - 0,4 Nm		0,2 - 0,4 Nm	
Turn at closed	0,2 - 0,4 Nm		0,2 - 0,4 Nm	
Turn at opened	0,2 - 0,4 Nm		0,2 - 0,4 Nm	
Flow rate @ 3 bar ⁽²⁾				
Free Flow	27,3 l/min		27,3 l/min	
A-Restrictor	11,3 l/min		11,3 l/min	

⁽¹⁾ The prescribed tightening torque is related to faucet body and nut both in brass material, pitch 1,5 mm and no lubricant applied on the threads. For other faucet body - nut material combinations please contact SEDAL.

⁽²⁾ Measured with SEDAL faucet.

G-35

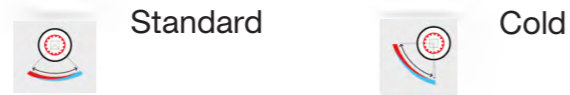
Upper Sealing



Description

Upper sealed cartridges give manufacturers the versatility to create a range of faucet configurations, including designs with the spout positioned on the upper side. These cartridges not only support diverse design options but also enhance efficiency and productivity, thanks to their innovative and practical design.

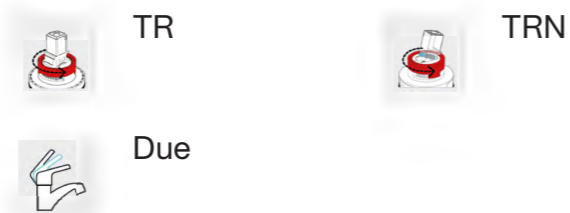
Type



Certifications



Technologies



Advantages

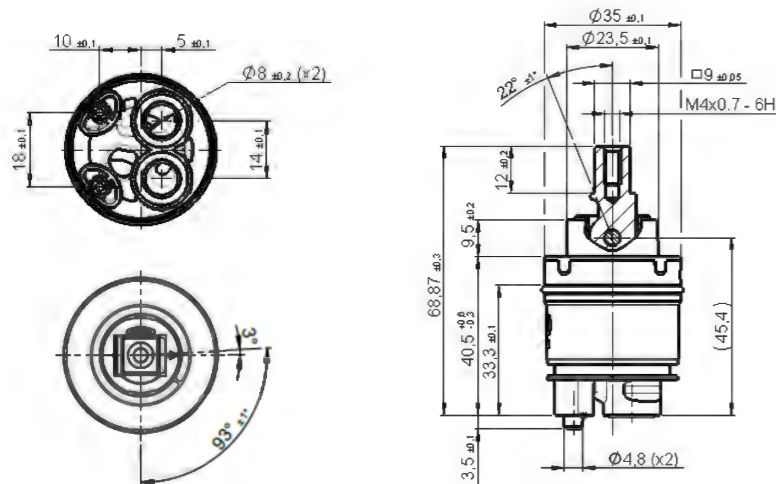
Smooth operation

Offer up to 3x smoother operation than standard mechanical cartridges, providing a feel similar to a 35mm cartridge. Built with strong materials, they ensure smooth performance even in very hot water conditions.

Noise Performance

SN-35 cartridges operate at less than 20dB, which is 20% quieter than the average in its market segment and even its closest competitor. This reduced noise level ensures a quieter user experience, making it ideal for applications where sound reduction is important.

Dimensions



Versions

	GC Upper Sealing	EX Upper Sealing	CC Upper Sealing	G Upper Sealing	Opening	Temperature Limiter (TR)	Temperature & Flow limiter (TRN)	Due	Special Function
G-35 Cold	-	-	-	08G35L1501	Cold				
G-35 TRN Due	-	-	-	08G35L0002	Standard		x	x	

Technical Specifications

	G-35 Cold TR	08G35L1501	G-35 TRN Due	08G35L0002
General				
Nut torque ⁽¹⁾		10 - 12 Nm		10 - 12 Nm
Opening angle		22°		23°
Rotation angle		93°		90°
Working pressure (recommended)		1 - 5 bar		1 - 5 bar
Burst pressure		> 35 bar		> 50 bar
Life cycle- EN 817 NF - 077 U3		70.000 cycles		175.000 cycles
x3 ASME 112.18.1 M		500.000 cycles		
Sensitivity (r= 45 mm) ⁽²⁾		>12°		9° - 11°
Fidelity ⁽²⁾		< 5 °C		< 3,5 °C
Max. hot water		90 °C		90 °C
Operation Torque				
Open-close		0,2 - 0,4 Nm		0,2 - 0,4 Nm
Turn at closed		0,2 - 0,4 Nm		0,2 - 0,4 Nm
Turn at opened		0,2 - 0,4 Nm		0,2 - 0,4 Nm
Flow rate @ 3 bar ⁽²⁾				
Free Flow Mix		15,3 l/min		22,5 l/min
Free Flow Cold		16 l/min		18,2 l/min

⁽¹⁾ The prescribed tightening torque is related to faucet body and nut both in brass material, pitch 1,5 mm and no lubricant applied on the threads. For other faucet body - nut material combinations please contact SEDAL.

⁽²⁾ Measured with SEDAL faucet.

CC-35 TOP

Upper Sealing



Description

The CC-35 TOP is a 35mm upper-sealed cartridge that offers manufacturers enhanced flexibility in faucet design, including configurations where the spout is positioned on the upper side. This cartridge not only supports a variety of faucet setups but also boosts productivity thanks to its innovative design. Created to be best-in-class, the CC-35 TOP surpasses competitors by providing a perfectly balanced cartridge with extraordinary endurance, ensuring long-lasting performance.

Advantages

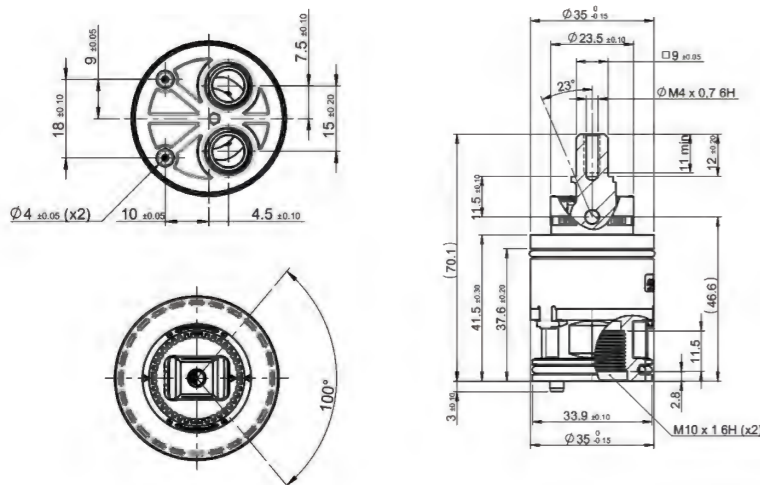
Smooth operation

Offer up to 3x smoother operation than standard mechanical cartridges, providing a feel similar to a 35mm cartridge. Built with strong materials, they ensure smooth performance even in very hot water conditions.

Noise Performance

SN-35 cartridges operate at less than 20dB, which is 20% quieter than the average in its market segment and even its closest competitor. This reduced noise level ensures a quieter user experience, making it ideal for applications where sound reduction is important.

Dimensions



Versions

	GC Upper Sealing	EX Upper Sealing	CC Upper Sealing	G Upper Sealing	Opening	Temperature Limiter (TR)	Temperature & Flow limiter (TRN)	Due	Special Function
CC-35 TOP TR Direct Plug In	-	-	08CC35L0501	-	Standard	x			
CC-35 TOP TR Due Direct Plug In	-	-	08CC35L3502	-	Standard	x		x	
CC-35 TOP Cold TR Direct Plug In	-	-	08CC35L2501	-	Cold	x			
CC-35 TOP Cold TR Due Direct Plug In	-	-	08CC35L5002	-	Cold	x		x	

Technical Specifications

	CC-35 TOP TR Direct Plug In 08CC35L0501	CC-35 TOP Cold TR Direct Plug In 08CC35L2501	CC-35 TOP TR Due Direct Plug In 08CC35L3502	CC-35 TOP Cold TR Due Direct Plug In 08CC35L5002
General				
Nut torque ⁽¹⁾	10 - 12 Nm		10 - 12 Nm	
Opening angle	23°		23°	
Rotation angle	100°		93°	
Working pressure (recommended)	1 - 5 bar		1 - 5 bar	
Burst pressure	> 50 bar		> 50 bar	
Life cycle- EN 817 NF - 077 U3 x3 ASME 112.18.1 M x3 GB-18145	175.000 cycles 1.500.000 cycles 210.000 cycles	175.000 cycles 1.500.000 cycles 210.000 cycles	175.000 cycles 1.500.000 cycles 210.000 cycles	175.000 cycles 1.500.000 cycles 210.000 cycles
Sensitivity (r= 45 mm) ⁽²⁾	> 12° (NF077)		> 12° (NF077)	
Fidelity ⁽²⁾	< 5 °C (NF077)		< 5 °C (NF077)	
Constant 63°C & 50°C ⁽²⁾ (6 l/min - 3l/min)	< 4 °C - < 6 °C (NF077)		< 4 °C - < 6 °C (NF077)	
Noise (NF077) - Rh-A @ 3 bar	Group I ⁽²⁾		Group I ⁽²⁾	
Max. hot water	90 °C		90 °C	
Operation Torque				
Open-close	0,2 - 0,4 Nm		0,2 - 0,4 Nm	
Turn at closed	0,2 - 0,4 Nm		0,2 - 0,4 Nm	
Turn at opened	0,2 - 0,4 Nm		0,2 - 0,4 Nm	
Flow rate @ 3 bar ⁽²⁾				
Free Flow	26,1 l/min		27,3 l/min	
A-Restrictor - Shower	12,6 l/min		11,3 l/min	

⁽¹⁾ The prescribed tightening torque is related to faucet body and nut both in brass material, pitch 1,5 mm and no lubricant applied on the threads. For other faucet body - nut material combinations please contact SEDAL.

⁽²⁾ Measured with SEDAL faucet.

CC-35

Upper Sealing



Description

Upper sealed cartridges give manufacturers the versatility to create a range of faucet configurations, including designs with the spout positioned on the upper side. These cartridges not only support diverse design options but also enhance efficiency and productivity, thanks to their innovative and practical design.

Opening



Standard

Certifications

KTW

NSF

ACS

Technologies



TR



TRN

Advantages

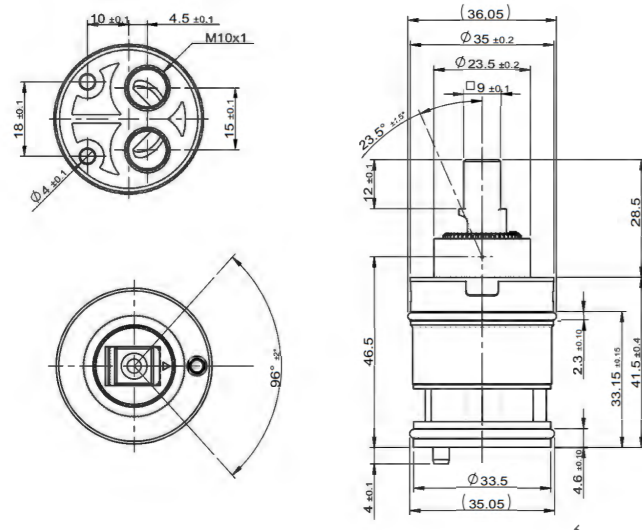
Smooth operation

Offer up to 3x smoother operation than standard mechanical cartridges, providing a feel similar to a 35mm cartridge. Built with strong materials, they ensure smooth performance even in very hot water conditions.

Noise Performance

SN-35 cartridges operate at less than 20dB, which is 20% quieter than the average in its market segment and even its closest competitor. This reduced noise level ensures a quieter user experience, making it ideal for applications where sound reduction is important.

Dimensions



Versions

	GC Upper Sealing	EX Upper Sealing	CC Upper Sealing	G Upper Sealing	Opening	Temperature Limiter (TR)	Temperature & Flow limiter (TRN)	Due	Special Function
CC-35	-	-	08CC35L0003	-	Standard				
CC-35 TR	-	-	08CC35L0001	-	Standard	x			
CC-35 TRN	-	-	08CC35L4501	-	Standard		x		
CC-35 Direct Plug In	-	-	08CC35L0019	-	Standard				
CC-35 TR Direct Plug In	-	-	08CC35L0002	-	Standard	x			
CC-35 TRN Direct Plug In	-	-	08CC35L4502	-	Standard		x		
CC-35 TR Due Direct Plug In	-	-	08CC35L5701	-	Standard	x		x	

Technical Specifications

	CC-35	08CC35L0003	CC-35 TR	08CC35L0001
General				
Nut torque ⁽¹⁾		10 - 12 Nm		10 - 12 Nm
Opening angle		23,5°		23,5°
Rotation angle		96°		96°
Working pressure (recommended)		1 - 5 bar		1 - 5 bar
Burst pressure		> 50 bar		> 50 bar
Life cycle- EN 817 NF - 077 U3		70.000 cycles		70.000 cycles
Sensitivity (r= 45 mm) ⁽²⁾		> 10°		11,5°
Fidelity ⁽²⁾		< 3 °C		< 5 °C
Constant 63°C & 50°C ⁽²⁾ (6 l/min - 3l/min)		< 4 °C - < 6 °C		< 4 °C - < 6 °C
Max. hot water		90 °C		90 °C
Operation Torque				
Open-close		0,18 - 0,3 Nm		0,3 - 0,5 Nm
Turn at closed		0,18 - 0,3 Nm		0,3 - 0,5 Nm
Turn at opened		0,18 - 0,3 Nm		0,3 - 0,5 Nm
Flow rate @ 3 bar ⁽²⁾				
Free Flow		22,4 l/min		22,4 l/min
A-Restrictor		11,8 l/min		11,8 l/min

⁽¹⁾ The prescribed tightening torque is related to faucet body and nut both in brass material, pitch 1,5 mm and no lubricant applied on the threads. For other faucet body - nut material combinations please contact SEDAL.

⁽²⁾ Measured with SEDAL faucet.

BISO-35

Dry Faucet



Description

Sedal's BISO cartridge is integral to our Dry Faucet Range, ensuring water doesn't touch the metal faucet body, making it ideal for lead-free compliance. With two inlets at the bottom and an outlet on one side, the BISO cartridge allows manufacturers to use various materials for faucet bodies, reducing brass usage while maintaining performance. Perfect for standard bath faucets with top-positioned levers, it ensures smooth water flow and design flexibility.

Opening



Standard

Certifications

KTW

NSF

ACS

Advantages

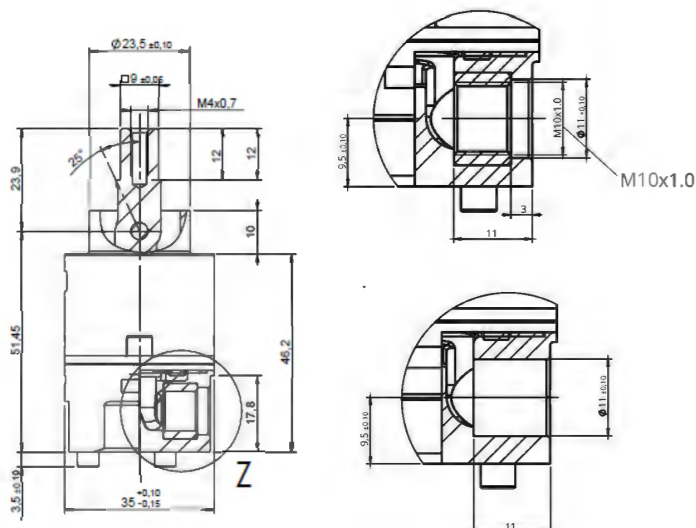
Smooth operation

Offer up to 3x smoother operation than standard mechanical cartridges, providing a feel similar to a 35mm cartridge. Built with strong materials, they ensure smooth performance even in very hot water conditions.

Noise Performance

SN-35 cartridges operate at less than 20dB, which is 20% quieter than the average in its market segment and even its closest competitor. This reduced noise level ensures a quieter user experience, making it ideal for applications where sound reduction is important.

Dimensions



Versions

	BISO	SISO	SIO	Opening	Temperature Limiter (TR)	Temperature & Flow limiter (TRN)	Due	Special Function
BISO-35 2	08SN35B008	-	-	Standard				
BISO-35 3	08SN35B007	-	-	Standard				

Technical Specifications

	BISO-35 2	08SN35B008
	BISO-35 3	08SN35B007
General		
Nut torque pitch M1,5		10 - 12 Nm
Opening angle		25°
Rotation angle		90°
Working pressure (recommended)		1 - 5 bar
Burst pressure		> 50 bar
Life cycle- EN 817 NF - 077 U3		175.000 cycles
x3 ASME 112.18.1 M		1.000.000 cycles
x3 GB-18145		140.000 cycles
Sensitivity ⁽¹⁾		> 10°
Constant 63°C & 50°C ⁽²⁾		< 4 °C - < 6 °C
(6 l/min - 3l/min)		
Max. hot water		90 °C
Operation Torque		
Open-close		0,2 - 0,4 Nm
Turn at closed		0,2 - 0,4 Nm
Turn at opened		0,2 - 0,4 Nm
Flow rate @ 3 bar ⁽²⁾		
Free Flow		20,8 l/min

⁽¹⁾ The prescribed tightening torque is related to faucet body and nut both in brass material, pitch 1,5 mm and no lubricant applied on the threads. For other faucet body – nut material combinations please contact SEDAL.

⁽²⁾ Measured with SEDAL faucet.

Spout Core links the cartridge outlet with the aireator plugged directly into the house



Water inlet hoses plugged directly into the cartridge

SISO-35

Dry Faucet



Description

Sedal's SISO cartridge is integral to our Dry Faucet Range, ensuring water doesn't touch the metal faucet body, making it ideal for lead-free compliance. With two inlets at one side and an outlet on the other side, the SISO cartridge allows manufacturers to use various materials for faucet bodies, reducing brass usage while maintaining performance. Perfect for standard kitchen faucets with side-positioned levers, it ensures smooth water flow and design flexibility.

Opening



Standard



Cold-Mirror

Certifications

KTW

Advantages

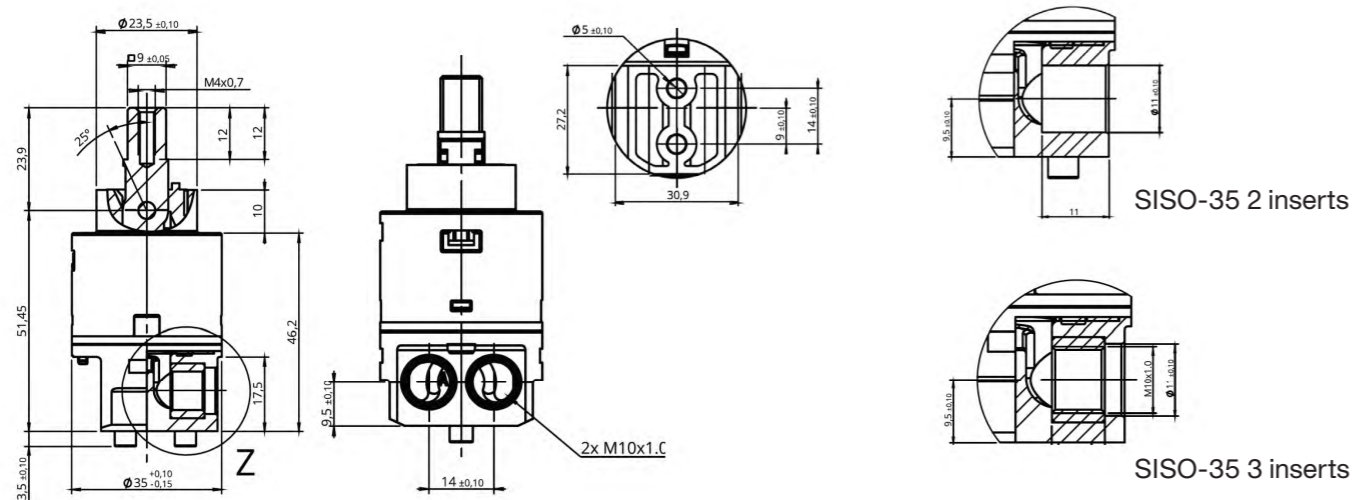
Smooth operation

Offer up to 3x smoother operation than standard mechanical cartridges, providing a feel similar to a 35mm cartridge. Built with strong materials, they ensure smooth performance even in very hot water conditions.

Noise Performance

SN-35 cartridges operate at less than 20dB, which is 20% quieter than the average in its market segment and even its closest competitor. This reduced noise level ensures a quieter user experience, making it ideal for applications where sound reduction is important.

Dimensions



Versions

	BISO	SISO	SIO	Opening	Temperature Limiter (TR)	Temperature & Flow limiter (TRN)	Due	Special Function
SISO-35 2 inserts	-	08EN35A0002	-	Standard				
SISO-35 3 inserts	-	08EN35A0001	-	Standard				
SISO-35 2xM8x1 / M11x1	-	08EN35A0003	-	Standard				
SISO-35 Cold-Mirror 2xM8x1 / M11x1	-	08EN35A1503	-	Cold-Mirror				

Technical Specifications

	SISO-35 2xM8x1 / M11x1	08EN35A0003	SISO-35 Cold-Mirror 2xM8x1 / M11x1	08EN35A1503
General				
Nut torque ⁽¹⁾		10 - 12 Nm		10 - 12 Nm
Opening angle		23°		23°
Rotation angle		90°		93°
Working pressure (recommended)		1 - 5 bar		1 - 5 bar
Burst pressure		> 50 bar		> 50 bar
Life cycle- EN 817 NF - 077 U3 x3 ASME 112.18.1 M		70.000 cycles 500.000 cycles		70.000 cycles 500.000 cycles
Sensitivity (r= 45 mm) ⁽²⁾		> 10°		> 10°
Fidelity ⁽²⁾		< 5 °C		< 5 °C
Max. hot water		90 °C		90 °C
Operation Torque				
Open-close		0,15 - 0,4 Nm		0,15 - 0,4 Nm
Turn at closed		0,15 - 0,4 Nm		0,15 - 0,4 Nm
Turn at opened		0,15 - 0,4 Nm		0,15 - 0,4 Nm
Flow rate @ 3 bar ⁽²⁾				
Free Flow		13,8 l/min		13,8 l/min
B-Restrictor - Shower		12 l/min		12,7 l/min

⁽¹⁾ The prescribed tightening torque is related to faucet body and nut both in brass material, pitch 1,5 mm and no lubricant applied on the threads. For other faucet body – nut material combinations please contact SEDAL.

⁽²⁾ Measured with SEDAL faucet.

SIO-35

Dry Faucet



Description

The Dry Faucet range is an ideal solution for lead-free compliance, ensuring no contact between water and the metal faucet body. This design not only supports safer water systems but also reduces costs by enabling the use of various materials for faucet bodies and spouts, while minimizing brass usage.

With both the inlets and the outlet at the same side, is specially design for kitchen faucets.

Opening



Standard



Cold-Mirror

Certifications

KTW

Advantages

Smooth operation

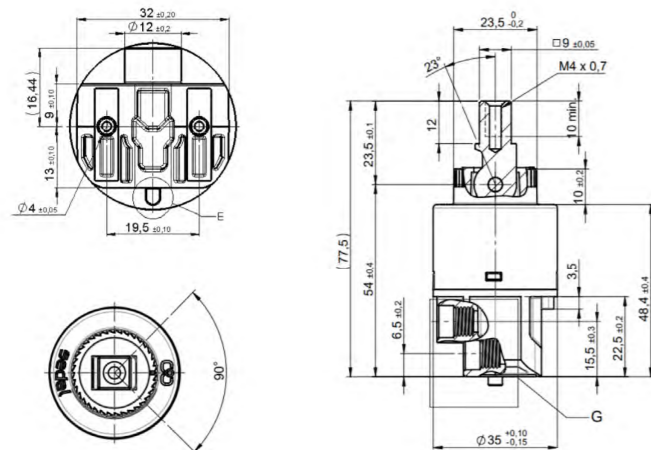
Offer up to 3x smoother operation than standard mechanical cartridges, providing a feel similar to a 35mm cartridge. Built with strong materials, they ensure smooth performance even in very hot water conditions.

Noise Performance

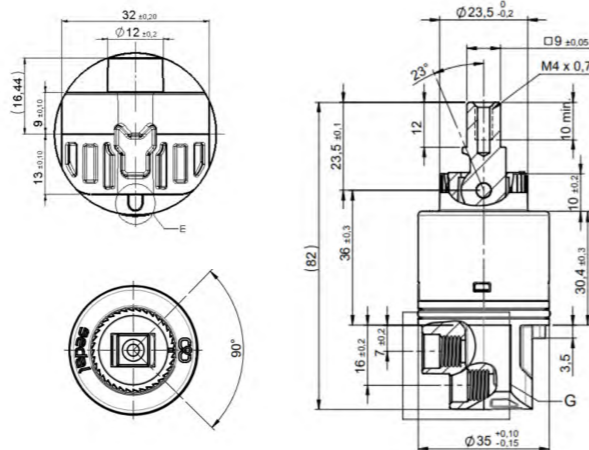
SN-35 cartridges operate at less than 20dB, which is 20% quieter than the average in its market segment and even its closest competitor. This reduced noise level ensures a quieter user experience, making it ideal for applications where sound reduction is important.

Dimensions

With pins



With O-Ring



Versions

	BISO	SISO	SIO	Opening	Temperature Limiter (TR)	Temperature & Flow limiter (TRN)	Due	Special Function
SIO-35 Basic With pins	-	-	08EN35C0004	Standard				
SIO-35 Basic With O-Ring	-	-	08EN35C0002	Standard				
SIO-35 With pins	-	-	08EN35C0003	Standard				
SIO-35 With O-Ring	-	-	08EN35C0001	Standard				
SIO-35 Cold-Mirror With O-Ring	-	-	08EN35C1501	Cold-Mirror				

Technical Specifications

	SIO-35 Basic With pins	SIO-35 Basic With O-Ring	SIO-35 With pins	SIO-35 With O-Ring	SIO-35 Cold-Mirror With O-Ring	08EN35C1501
General						
Nut torque ⁽¹⁾	10 - 12 Nm			10 - 12 Nm		
Opening angle	23°			23°		
Rotation angle	90°			90°		
Working pressure (recommended)	1 - 5 bar			1 - 5 bar		
Burst pressure	> 50 bar			> 50 bar		
Life cycle- EN 817 NF - 077 U3 x3 ASME 112.18.1 M	70.000 cycles 500.000 cycles			70.000 cycles 500.000 cycles		
Sensitivity (r= 45 mm) ⁽²⁾	> 10 mm			> 12 mm		
Fidelity ⁽²⁾	< 5 °C			< 5 °C		
Constant 63°C & 50°C ⁽²⁾ (6 l/min - 3l/min)	< 4 °C - < 6 °C			< 4 °C - < 6 °C		
Noise (NF077) - Rh-A @ 3 bar	Group 1 ⁽²⁾			Group 1 ⁽²⁾		
Max. hot water	90 °C			90 °C		
Operation Torque						
Open-close	0,15 - 0,4 Nm			0,15 - 0,4 Nm		
Turn at closed	0,15 - 0,4 Nm			0,15 - 0,4 Nm		
Turn at opened	0,15 - 0,4 Nm			0,15 - 0,4 Nm		
Flow rate @ 3 bar⁽²⁾						
Free Flow	13,6 l/min			12,2 l/min		
B-Restrictor - Shower	12,0 l/min			12,0 l/min		

⁽¹⁾ The prescribed tightening torque is related to faucet body and nut both in brass material, pitch 1,5 mm and no lubricant applied on the threads. For other faucet body – nut material combinations please contact SEDAL.

⁽²⁾ Measured with SEDAL faucet.

GI-35

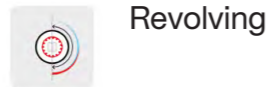
Revolving



Description

The 35mm GI35 revolving cartridge is designed for efficient water control, featuring a turning lever that first regulates water flow, followed by temperature adjustment at the end of the lever's rotation. This structured approach ensures optimized flow before temperature control, providing precise and smooth operation. Popular in some countries like the US for its intuitive movement, especially with vertical levers, this cartridge suits slim faucet bodies and cascade tap designs, making it ideal for modern and minimalist configurations.

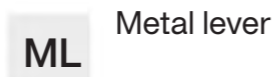
Opening



Certifications



Technologies

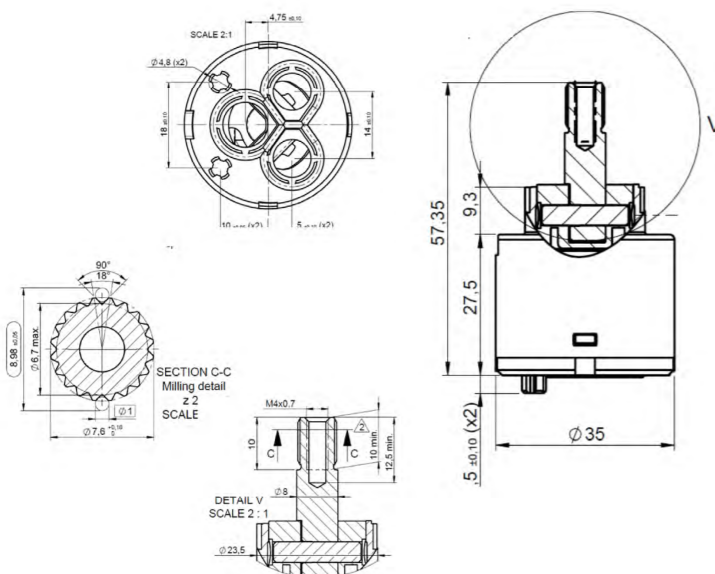


Advantages

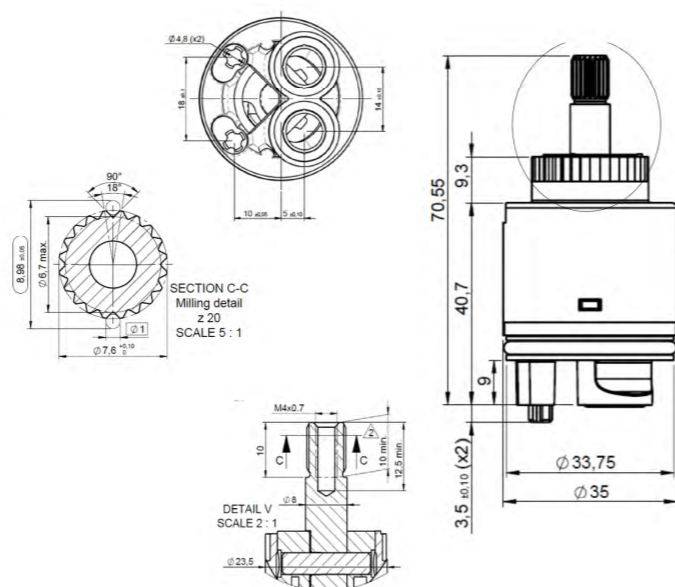
180° Rotation Angle & smooth operation
35 mm revolving cartridge has a rotation of a 180° from cold to hot with an easy and smooth movement for a comfort operation.

Dimensions

S/D:



C/D:



Versions

	Short base (S/D)	Long base (C/D)	Opening	Temperature Limiter (TR)	Temperature & Flow limiter (TRN)	Due	Special Function
GI-35 Cold	08GI35FBE64	08GI35LBE64	Revolving-Cold				
GI-35 L90	08GI35FBE09	08GI35LBE09	Revolving				
GI-35 Z20	08GI35FBE01	08GI35LBE01	Revolving				

Technical Specifications

	GI-35 C/D Cold	08GI35FBE64	08GI35LBE64
	GI-35 C/D L90	08GI35FBE09	08GI35LBE09
	GI-35 C/D Z20	08GI35FBE01	08GI35LBE01
General			
Nut torque ⁽¹⁾		10 - 12 Nm	10 - 12 Nm
Rotation angle		180°	180°
Working pressure (recommended)		1 - 5 bar	1 - 5 bar
Burst pressure		> 35 bar	> 35 bar
Life cycle- EN 200		200.000 cycles	200.000 cycles
ASME 112.18.1 M		500.000 cycles	500.000 cycles
Max. hot water		90 °C	90 °C
Operation Torque			
Open-close		0,1 - 0,3 Nm	0,1 - 0,3 Nm
Turn at closed		0,1 - 0,3 Nm	0,1 - 0,3 Nm
Turn at opened		0,1 - 0,3 Nm	0,1 - 0,3 Nm
Flow rate @ 3 bar ⁽²⁾			
Free Flow		20,1 l/min	23,1 l/min
C-Restrictor		16,6 l/min	18,7 l/min

⁽¹⁾ The prescribed tightening torque is related to faucet body and nut both in brass material, pitch 1,5 mm and no lubricant applied on the threads. For other faucet body – nut material combinations please contact SEDAL.
⁽²⁾ Measured with SEDAL faucet.

JY-35

Dry Faucet



Description

Joystick cartridges have a similar functionality as standard cartridges, although the special design of their evers allows smooth 360° movements.

Very popular in some countries, Joystick cartridges provide a natural movement especially with vertical levers. The JY35 from Sedal is a very robust Joystick cartridge specially developed for faucets or cascade tap designs

Opening



Standard

Certifications

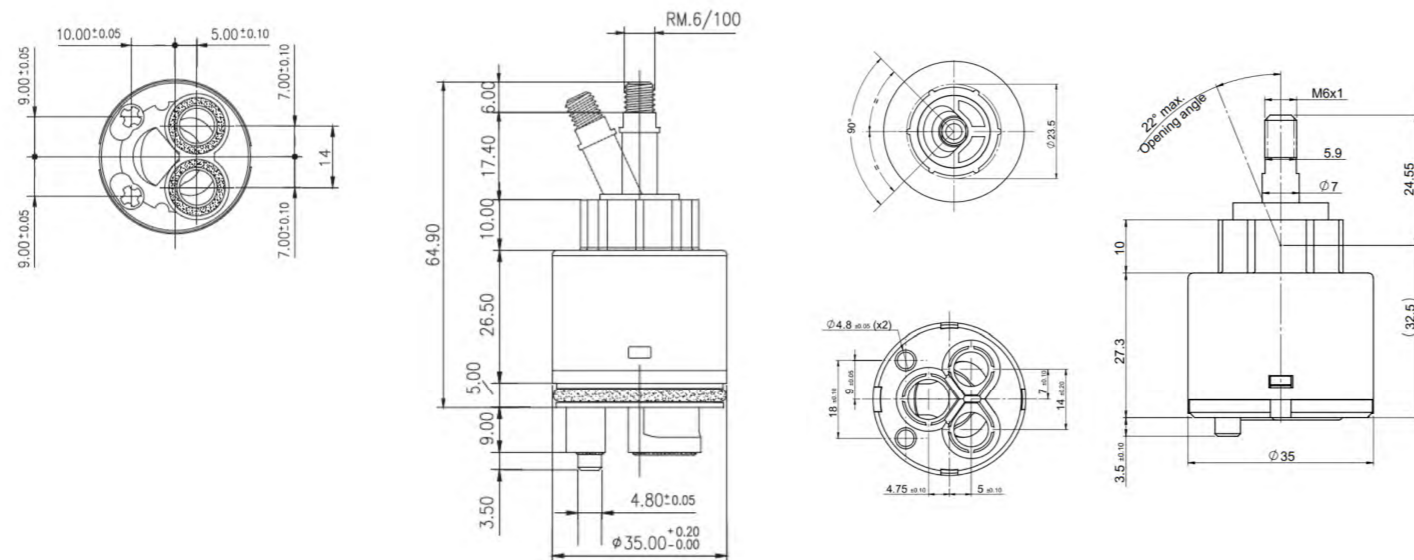


Technologies



Metal lever

Dimensions



Versions

	Short base (SD)	Long base (CD)	Opening	Temperature Limiter (TR)	Temperature & Flow limiter (TRN)	Due	Special Function
JY-35 Metal Lever	08JY35FBE02	08JY35LBE00	Standard				

Technical Specifications

	JY-35 Metal Lever	08JY35FBE02	08JY35LBE00
General			
Nut torque ⁽¹⁾		10 - 12 Nm	10 - 12 Nm
Opening angle		22°	25°
Rotation angle		90°	90°
Working pressure (recommended)		1 - 5 bar	1 - 5 bar
Burst pressure		> 35 bar	33 - 35 bar
Life cycle- EN 817		70.000 cycles	70.000 cycles
Max. hot water		90 °C	90 °C
Operation Torque			
Open-close		0,25 - 0,33 Nm	0,25 - 0,33 Nm
Flow rate @ 3 bar ⁽²⁾			
Free Flow		24,6 l/min	24,6 l/min
C-Restrictor - Shower		19,2 l/min	19,2 l/min

⁽¹⁾ The prescribed tightening torque is related to faucet body and nut both in brass material, pitch 1,5 mm and no lubricant applied on the threads. For other faucet body – nut material combinations please contact SEDAL.

⁽²⁾ Measured with SEDAL faucet.

Cartridge	Reference	Pg	Machining tips
BISO-35	08SN35B008	93	
BISO-35	08SN35B007	93	

Cartridge	Reference	Pg	Machining tips
SISO-35 2 inserts	08EN35A0002	85	
SISO-35 3 inserts	08EN35A0001	95	

Cartridge	Reference	Pg	Machining tips
SISO-35 2xM8x1 / M11x1	08EN35A0003	95	
SISO-35 Cold-Mirror 2xM8x1 / M11x1	08EN35A1503	95	

Cartridge	Reference	Pg	Machining tips
SIO-35 With O-Ring	08EN35C0001	97	
SIO-35 Basic With O-Ring	08EN35C0002	97	
SIO-35 Cold-Mirror With O-Ring	08EN35C1501	97	

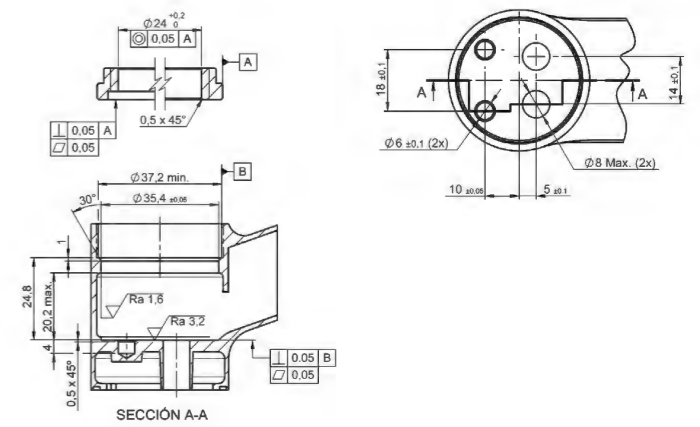
Cartridge	Reference	Pg	Machining tips
SIO-35 With pins	08EN35C0003	97	
SIO-35 Basic With pins	08EN35C0004	97	

Cartridge	Reference	Pg	Machining tips
G-35 TOP TR	08G35L0502	81	
G-35 TOP TR Due	08G35L3501	81	
G-35 TOP Cold TR	08G35L2501	81	
G-35 TOP Cold TR Due	08G35L5002	81	
G-35 Cold TR	08G35L1501	87	
G-35 TRN Due	08G35L0002	87	

Cartridge	Reference	Pg	Machining tips
CC-35 TOP TR Direct Plug In	08CC35L0501	89	
CC-35 TOP TR Due Direct Plug In	08CC35L3502	89	
CC-35 TOP Cold TR Direct Plug In	08CC35L2501	89	
CC-35 TOP Cold TR Due Direct Plug In	08CC35L5002	89	
CC-35	08CC35L0003	91	
CC-35 TR	08CC35L0001	91	
CC-35 TRN	08CC35L4501	91	
CC-35 Direct Plug In	08CC35L0019	91	
CC-35 TR Direct Plug In	08CC35L0002	91	
CC-35 TRN Direct Plug In	08CC35L4502	91	
CC-35 TR Due Direct Plug In	08CC35L5701	91	

Cartridge	Reference	Pg	Machining tips
EX-35,4 TOP Compact	08EX35L0003	85	
EX-35,4 TOP Compact TR	08EX35L0502	85	
EX-35,4 TOP Compact TRN	08EX35L4504	85	
EX-35,4 TOP Compact TR Due	08EX35L3501	85	
EX-35,4 TOP Compact Cold	08EX35L1502	85	
EX-35,4 TOP Compact Cold TR	08EX35L2502	85	
EX-35,4 TOP Compact Cold TRN	08EX35L4002	85	
EX-35,4 TOP Compact Cold TR Due	08EX35L5002	85	

Cartridge	Reference	Pg	Machining tips
EX-35 TOP Compact	08EX35L0004	83	
EX-35 TOP Compact TR	08EX35L0504	83	
EX-35 TOP Compact TRN	08EX35L4505	83	
EX-35 TOP Compact TR Due	08EX35L3502	83	
EX-35 TOP Compact Cold	08EX35L1503	83	
EX-35 TOP Compact Cold TR	08EX35L2503	83	
EX-35 TOP Compact Cold TRN	08EX35L4003	83	
EX-35 TOP Compact Cold TR Due	08EX35L5003	83	



40 - 45 mm

The widest and most efficient diameter range, featuring the best cartridges in-house, and probably on the market.

You can choose from a variety of applications, including standard faucets and showers, concealed systems, and eco-friendly options. The most popular materials are plastic and metal levers. Functionality includes eco-friendly options, safety features, SN & EN cartridges, upper and lower sealing, and much more.

Pressure Balance technology



Cartridges for single lever faucets

57 products
2 sizes

40 mm

Regular

EN-40 TOP



Name	Code	Page
EN-40 TOP S/D TR	08EN40S0503	111
EN-40 TOP S/D TR Due	08EN40S3503	111
EN-40 TOP S/D TRN	08EN40S4505	111

SN-40 Thedra

Name	Code	Page
SN-40 Thedra C/D	08SN40L0507	113
SN-40 Thedra C/D TR	08SN40L0501	113
SN-40 Thedra C/D TRN	08SN40L4501	113
SN-40 Thedra C/D Niederdruck	On Demand	113
SN-40 Thedra C/D Due	08SN40L3001	113
SN-40 Thedra C/D TRN Due	08SN40L3501	113
SN-40 Thedra C/D Cold TR	08SN40L2501	113
SN-40 Thedra C/D Cold TRN	08SN40L4001	113
SN-40 Thedra C/D Cold TR Due	08SN40L5001	113
SN-40 Thedra C/D Cold TRN Due	08SN40L5501	113
SN-40 Thedra C/D Ecoflow	08SN40L0003	113
SN-40 Thedra C/D High Flow	08GN40L0001	113
SN-40 Thedra C/D TR High Flow	08GC40L0501	113
SN-40 Thedra C/D TRN High Flow	08GC40L4501	113
SN-40 Thedra S/D	08SN40S0507	113
SN-40 Thedra S/D TR	08SN40S0501	113
SN-40 Thedra S/D TRN	08SN40S4501	113
SN-40 Thedra S/D Niederdruck	08SN40S0007	113
SN-40 Thedra S/D Due	08SN40S3001	113
SN-40 Thedra S/D TRN Due	08SN40S3501	113
SN-40 Thedra S/D Cold TR	08SN40S2501	113
SN-40 Thedra S/D Cold TRN	08SN40S4001	113
SN-40 Thedra S/D Cold TR Due	08SN40S5001	113
SN-40 Thedra S/D Cold TRN Due	08SN40S5501	113
SN-40 Thedra S/D Cold Ecoflow	08SN40S0003	113
GC-40 Thedra S/D	08GC40S0001	113
GC-40 Thedra S/D TR	08GC40S0501	113
SN-40 Thedra S/D TRN	08G40S4501	113



E-40



Name	Code	Page
E-40 S/D Due	08E40FAZ30	117

EN-40



Name	Code	Page
EN-40 C/D C1 NF	08EN40L1002	119
EN-40 C/D Due C2 NF	08EN40L3005	119
EN-40 S/D C1 NF	08EN40S1002	119
EN-40 S/D Due C2 NF	08EN40S3005	119

EC-40



Name	Code	Page
EC-40 C/D Cold Due	08EC40L3005	121
EC-40 C/D Cold-Mirror Due	08EC40L2001	121
EC-40 S/D Cold Due	08EC40S3005	121
EC-40 S/D Cold-Mirror Due	08EC40S2001	121

TRN-40



Name	Code	Page
TRN-40 C/D TRN	08RN40LVE00	123
TRN-40 S/D TRN	08RN40FVE00	123

SN-40



Name	Code	Page
SN-40 C/D	08SN40LAZ00	125
SN-40 S/D	08SN40FAZ00	125

DN-40



Name	Code	Page
DN-40 C/D	08DN40LBG01	127
DN-40 S/D	08DN40FBG01	127

Upper Sealing

G-40



Name	Code	Page
G-40	08G40LBE00	129
G-40 Due	08G40LBE30	129

EX-40



Name	Code	Page
EX-40 Compact	08EX40S0001	131
EX-40 Due Compact	08EX40S3001	131

Pressure Balance

PB-40



Name	Code	Page
PB-40 Pressure Balance	08PB40L0001	133
PB-40 TRN Pressure Balance	08PB40L4602	133

Revolving

GI-40



Name	Code	Page
GI-40 C/D TR L10	08GI40LBE64	135
GI-40 C/D TR Metal Lever Z20	08GI40LBE00	135
GI-40 C/D TR L10	08GI40LBE10	135
GI-40 S/D TR L10	08GI40FBE64	135
GI-40 S/D TR Metal Lever Z20	08GI40FBE00	135
GI-40 S/D TR L10	08GI40FBE10	135

45 mm

Upper Sealing

GC-45 High Flow



Name	Code	Page
GC-45 High Flow	08GC45FBE00	137

Mechanical Requirements 139

EN-40 TOP

Regular



Description

Sedal's new 40 mm TOP range cartridge delivers outstanding performance with flow rates up to 44 l/min, while maintaining full geometric compatibility with standard market cartridges. Designed for high-demand applications, it combines efficiency, durability, and easy integration into existing systems.

Advantages

High flow performance

Engineered to deliver up to 44 l/min, ensuring powerful and consistent water flow even in demanding conditions.

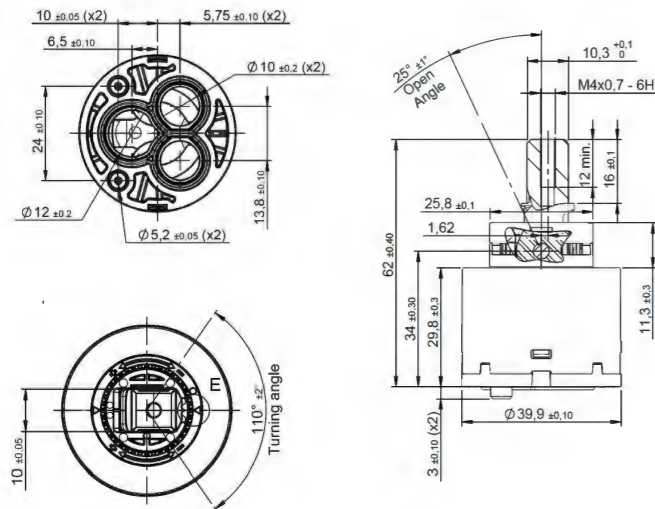
Maximum durability

Built for robustness and tested to achieve up to 3 times longer life, guaranteeing reliable long-term performance.

Enhanced control & flexibility

Includes temperature ring limiter and optional flow limiter, with additional configurations such as DUE (hard point) version to adapt to different application needs.

Dimensions



Openings



Standard

Certifications



Technologies



TR



TRN



Due

Versions

	Short base (SD)	Long base (CD)	Opening	Temperature Limiter (TR)	Temperature & Flow limiter (TRN)	Due	Special Function
EN-40 TOP S/D TR	08EN40S0503	-	Standard	x			
EN-40 TOP S/D TR Due	08EN40S3503	-	Standard	x		x	
EN-40 TOP S/D TRN	08EN40S4505	-	Standard		x		

Technical Specifications

	EN-40 TOP S/D TR	08EN40S0503
	EN-40 TOP S/D TR Due	08EN40S3503
	EN-40 TOP S/D TRN	08EN40S4505
General		
Nut torque ⁽¹⁾		10 - 12 Nm
Opening angle		25°
Rotation angle		110°
Working pressure (recommended)		1 - 5 bar
Burst pressure		> 50 bar
Life cycle- EN 817 NF - 077 U3		175.000 cycles
x3 ASME 112.18.1 M		1.500.000 cycles
x3 GB 18145		210.000 cycles
Sensitivity ⁽²⁾		> 12 mm
Fidelity ⁽²⁾		< 5 °C
Noise level (NF 007) Rh-A @3 bar		Group I ⁽⁴⁾
Max. hot water		90 °C
Operation Torque		
Open-close		0,2 - 0,4 Nm
Turn at closed		0,2 - 0,4 Nm
Flow rate @ 3 bar ⁽²⁾		
Free Flow		44 l/min
A-Restrictor - Shower		14,4 l/min
C-Restrictor - Bath		25 l/min
Water saving (DUE)		EN817 NF077

SN-40 Thedra

Regular



Description

40mm cartridge with a unique clean and smart design that confers an undeniable ability to withstand the most extreme working conditions and requests: compression, torque, handle load, burst and x2 life cycles, granting smooth but firm user operation thanks to Glide Feel Technology. This cartridge opens in cold position and has TR and TRN versions available.

Openings



Standard



Cold-Mirror



Cold

Advantages

Niederdruck system

The Niederdruck system is widely used in Germany, featuring a small heater installed below the sink. This system operates with a single cold-water inlet and requires a unique cartridge configuration to ensure optimal performance. Ideal for setups where traditional hot water connections are unavailable, Niederdruck offers an efficient and space-saving solution for heating water.

Strong Materials

Constructed with strong and long-lasting materials, these cartridges are designed to provide the best user experience

Unequal design, unequal results

THEDRA was granted with reddot award in 2016.

Certifications



Technologies



TR



TRN



Due



EcoFlow



High Flow



Niederdruck

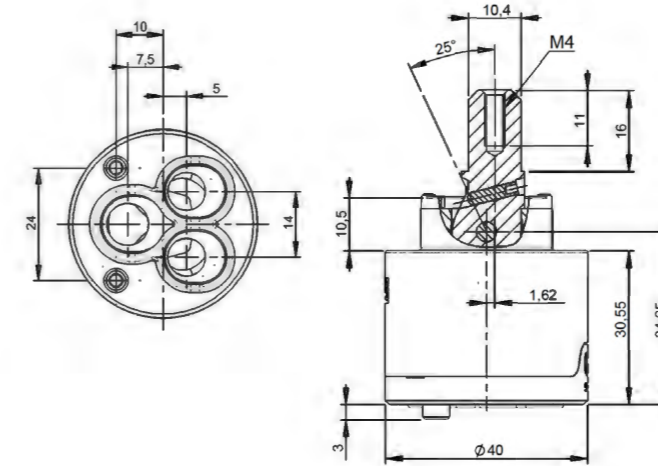
Versions

	Short base (SD)	Long base (CD)	Opening	Temperature Limiter (TR)	Temperature & Flow limiter (TRN)	Due	Special Function
SN-40 Thedra	08SN40S0507	08SN40L0507	Standard				
SN-40 Thedra TR	08SN40S0501	08SN40L0501	Standard	x			
SN-40 Thedra TRN	08SN40S4501	08SN40L4501	Standard		x		
SN-40 Thedra Niederdruck	08SN40S0007	On Demand	Standard				Niederdruck
SN-40 Thedra Due	08SN40S3001	08SN40L3001	Standard			x	
SN-40 Thedra TR Due	08SN40S3501	08SN40L3501	Standard	x		x	
SN-40 Thedra Cold TR	08SN40S2501	08SN40L2501	Cold	x			
SN-40 Thedra Cold TRN	08SN40S4001	08SN40L4001	Cold		x		
SN-40 Thedra Cold TR Due	08SN40S5001	08SN40L5001	Cold	x		x	
SN-40 Thedra Cold TRN Due	08SN40S5501	08SN40L5501	Cold		x	x	
SN-40 Thedra Ecoflow	08SN40S0003	08SN40L0003	Standard				EcoFlow
SN-40 Thedra High Flow	08GC40S0001	08GN40L0001	Standard				High Flow
SN-40 Thedra TR High Flow	08GC40S0501	08GC40L0501	Standard	x			High Flow
SN-40 Thedra TRN High Flow	08G40S4501	08GC40L4501	Standard		x		High Flow

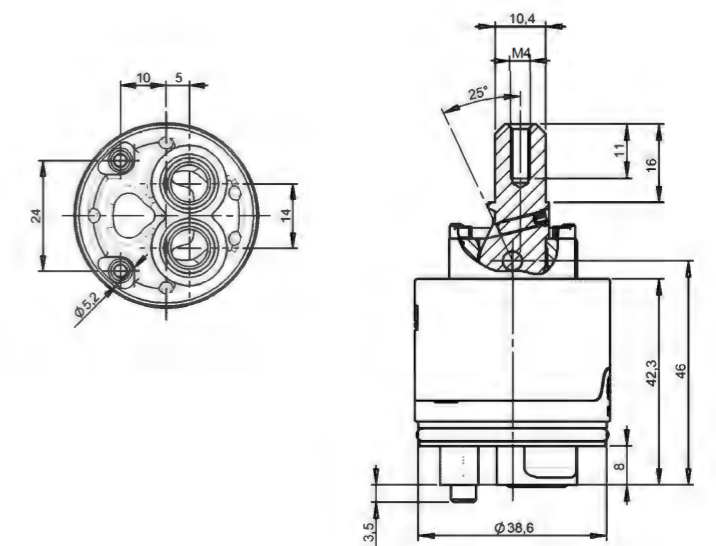
See **technical specifications** in the next page

Dimensions

S/D:



C/D:



SN-40 Thedra

Regular

Technical Specifications

	SN-40 Thedra TR	SN-40 Thedra TRN	SN-40 Thedra Due	SN-40 Thedra Cold TRN Due	SN-40 Thedra Cold TR
	08SN4LS0501	08SN40L0501	08SN40L3001	08SN40S5501	08SN40L5501
	08SN40S0501	08SN40S4501	08SN40S3001	08SN40S5001	08SN40L5001
	08SN40S4001	08SN40L4001	08SN40L2501	08SN40S4001	08SN40L4001
	08SN40L5001	08SN40S4501	08SN40L2501	08SN40S4001	08SN40L4001
	08SN40L3001	08SN40S3001	08SN40L2501	08SN40L2501	08SN40L2501
General					
Nut torque ⁽¹⁾	10 - 12 Nm	10 - 12 Nm	10 - 12 Nm	10 - 12 Nm	10 - 12 Nm
Opening angle	25°	25°	25°	25°	25°
Rotation angle	100°	100°	100°	110°	110°
Working pressure (recommended)	1 - 5 bar	1 - 5 bar	1 - 5 bar	1 - 5 bar	1 - 5 bar
Burst pressure	> 50 bar	> 50 bar	> 50 bar	> 50 bar	> 50 bar
Torsion resistance	13,5 Nm	13,5 Nm	13,5 Nm	13,5 Nm	13,5 Nm
Flexion resistance	> 13 Nm	> 13 Nm	> 13 Nm	> 13 Nm	> 13 Nm
Life cycle- EN 817 NF - 077 U3	175.000 cycles	175.000 cycles	175.000 cycles	175.000 cycles	175.000 cycles
ASME 112.18.1 M	1.000.000 cycles	1.000.000 cycles	1.000.000 cycles	1.000.000 cycles	1.000.000 cycles
GB 18145	140.000 cycles	140.000 cycles	140.000 cycles	140.000 cycles	140.000 cycles
Sensitivity ⁽²⁾	> 12 mm	> 12 mm	> 12 mm	> 10 mm	> 10 mm
Fidelity ⁽²⁾	< 5 °C	< 5 °C	< 5 °C	< 3 °C	< 3 °C
Constant 63°C & 50°C (6 l/min-3 l/min) ⁽²⁾	< 4°C - < 6°C	< 4°C - < 6°C	< 4°C - < 6°C	< 4°C - < 6°C	< 4°C - < 6°C
Max. hot water	90 °C	90 °C	90 °C	90 °C	90 °C
Noise level (C-Restrictor)	< 20 dB(A) ⁽²⁾	< 20 dB(A) ⁽²⁾	< 20 dB(A) ⁽²⁾	Group I	Group I
Operation Torque					
Open-close	0,2 - 0,4 Nm	0,2 - 0,4 Nm	0,2 - 0,4 Nm	0,2 - 0,4 Nm	0,2 - 0,4 Nm
Turn at closed	0,2 - 0,4 Nm	0,2 - 0,4 Nm	0,2 - 0,4 Nm	0,2 - 0,4 Nm	0,2 - 0,4 Nm
Flow rate @ 3 bar ⁽²⁾					
Free Flow (Mix)	31,5 l/min	28,6 l/min	31,5 l/min	13,3 l/min	14,2 l/min
C-Restrictor (Mix)	22,1 l/min	21,1 l/min	22,1 l/min	9,4 l/min	9,7 l/min
A-Restrictor (Mix)					

	SN-40 Thedra Niederdruck	SN-40 Thedra Ecoflow
	08SN40S0007	08SN40L0003
General		
Nut torque ⁽¹⁾	10 - 12 Nm	10 - 12 Nm
Opening angle	25°	25°
Rotation angle	100°	100°
Working pressure (recommended)	1 - 5 bar	1 - 5 bar
Burst pressure	> 50 bar	> 50 bar
Torsion resistance		
Flexion resistance		
Life cycle- EN 817 NF - 077 U3	175.000 cycles	70.000 cycles
ASME 112.18.1 M		500.000 cycles
GB 18145		
Sensitivity ⁽²⁾		11 - 13 mm
Fidelity ⁽²⁾		< 3 °C
Constant 63°C & 50°C (6 l/min-3 l/min) ⁽²⁾		< 4°C - < 6°C
Max. hot water	90 °C	90 °C
Noise level (C-Restrictor)	Group I	Group I
Operation Torque		
Open-close	0,2 - 0,4 Nm	0,2 - 0,4 Nm
Turn at closed	0,2 - 0,4 Nm	0,2 - 0,4 Nm
Flow rate @ 3 bar ⁽²⁾		
Free Flow (Mix)	14,8 l/min	8,9 l/min
C-Restrictor (Mix)		
A-Restrictor (Mix)		
Z-Restrictor (Mix)		6,5 l/min

	SN-40 Thedra High Flow	SN-40 Thedra TR High Flow	SN-40 Thedra TRN High Flow
	08GC40S0001	08GC40S0501	08GC40S4501
	08GC40L0001	08GC40L0501	08GC40L4501
General			
Nut torque ⁽¹⁾	10 - 12 Nm	10 - 12 Nm	10 - 12 Nm
Opening angle	25°	25°	25°
Rotation angle	100°	100°	100°
Working pressure (recommended)	1 - 5 bar	1 - 5 bar	1 - 5 bar
Burst pressure	> 50 bar	> 50 bar	> 50 bar
Torsion resistance	13,5 Nm	13,5 Nm	13,5 Nm
Flexion resistance	> 13 Nm	> 13 Nm	> 13 Nm
Life cycle- EN 817 NF - 077 U3	175.000 cycles	175.000 cycles	175.000 cycles
ASME 112.18.1 M	1.000.000 cycles	1.000.000 cycles	1.000.000 cycles
GB 18145	140.000 cycles	140.000 cycles	140.000 cycles
Sensitivity ⁽²⁾	> 12 mm	> 12 mm	> 12 mm
Fidelity ⁽²⁾	< 5 °C	< 5 °C	< 5 °C
Constant 63°C & 50°C (6 l/min-3 l/min) ⁽²⁾	< 4°C - < 6°C	< 4°C - < 6°C	< 4°C - < 6°C
Max. hot water	90 °C	90 °C	90 °C
Noise level (C-Restrictor)	< 24 dB(A) ⁽²⁾	< 24 dB(A) ⁽²⁾	< 24 dB(A) ⁽²⁾
Operation Torque			
Open-close	0,2 - 0,4 Nm	0,2 - 0,4 Nm	0,2 - 0,4 Nm
Turn at closed	0,2 - 0,4 Nm	0,2 - 0,4 Nm	0,2 - 0,4 Nm
Flow rate @ 3 bar ⁽²⁾			
Free Flow (Mix)	30,4 l/min	34,4 l/min	34,4 l/min
C-Restrictor (Mix)	21,8 l/min	23 l/min	23 l/min

E-40

Regular



Description

Standard 40mm cartridge with DUE technology.

Openings



Standard

Certifications

KTW WRAS NSF ACS Water Mark AS/NZS cUPC

Technologies



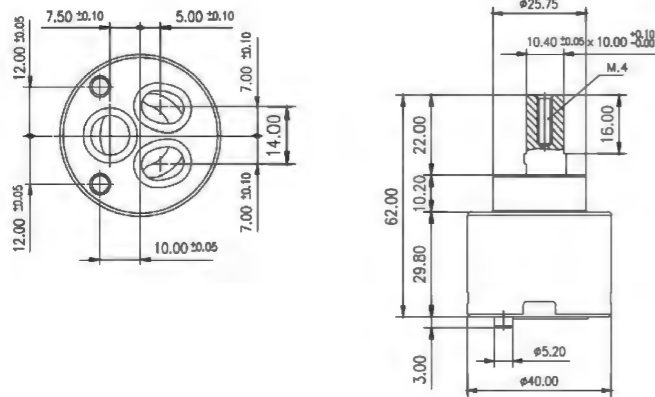
Due

Advantages

Energy Saving

The lever is in cold position by default, saving up to 10% from the household energy consumption related to plumbing products.

Dimensions



Versions

	Short base (SD)	Long base (CD)	Opening	Temperature Limiter (TR)	Temperature & Flow limiter (TRN)	Due	Special Function
E-40 Due	08E40FAZ30	-				x	

Technical Specifications

	E-40 Due	08E40FAZ30
General		
Nut torque ⁽¹⁾		10 - 12 Nm
Opening angle		25°
Rotation angle		100°
Working pressure (recommended)		1 - 5 bar
Burst pressure		> 55 bar
Life cycle - EN 817		70.000 cycles
- ASME 112.18.1 M		500.000 cycles
Sensitivity (R = 50 mm) ⁽²⁾		> 10 mm
Fidelity ⁽²⁾		< 3 °C
Constant 63°C & 50°C (6 l/min-3 l/min) (2)		< 4 °C - <6 °C
Max. hot water		90 °C
Operation Torque		
Open-close		0,25 - 0,3 Nm
Turn left - right		0,25 - 0,35 Nm
Flow rate @ 3 bar⁽²⁾		
Free Flow		25,4 l/min
C-Restrictor		19,6 l/min
Water saving (DUE)		EN817 NF077

EN-40

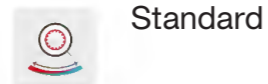
Regular



Description

Standard cartridge meeting NFC18C2

Openings



Certifications



Technologies



Advantages

Cold Technology

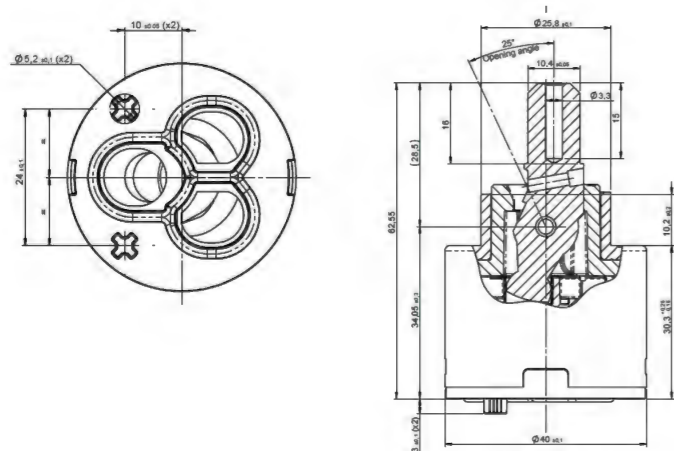
The lever is in cold position by default, saving up to 10% from the household energy consumption related to plumbing products.

Special for Kitchen Applications

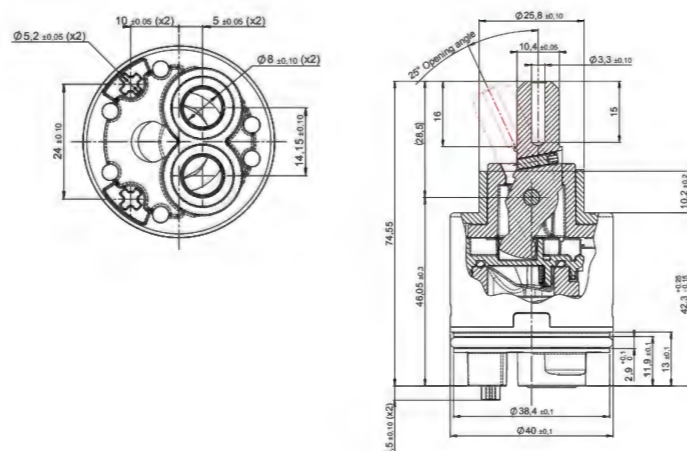
Mirror version has been specifically designed for kitchen applications, avoiding the inconvenience of the handle touching the wall.

Dimensions

EN-35 S/D:



EN-35 C/D:



Versions

	Short base (SD)	Long base (CD)	Opening	Temperature Limiter (TR)	Temperature & Flow limiter (TRN)	Due	Special Function
EN-40	08EN40S1002	08EN40L1002	Standard				
EN-40 Due	08EN40S3005	08EN40L3005	Standard			x	

Technical Specifications

	EN-40	08EN40S1002	08EN40L1002
	EN-40 Due	08EN40S3005	08EN40L3005
General			
Nut torque ⁽¹⁾		10 - 12 Nm	10 - 12 Nm
Opening angle		25°	25°
Rotation angle		110°	110°
Working pressure (recommended)		1 - 5 bar	1 - 5 bar
Burst pressure		> 30 bar	> 50 bar
Water hammer test		ECAU NF 077	ECAU NF 077
Life cycles NF 077		175.000 cycles	175.000 cycles
Sensitivity (r= 45 mm) ⁽²⁾		> 12 mm	> 12 mm
Fidelity ⁽²⁾		< 5 °C	< 5 °C
Constant 63°C & 50°C ⁽²⁾ (6 l/min - 3l/min)		< 4 °C - < 6 °C	< 4 °C - < 6 °C
Nise @ 3 bar		< 20 dB (Group I)	< 20 dB (Group I)
Max. hot water		90 °C	90 °C
Operation Torque			
Open-close		0,4 - 0,5 Nm	0,4 - 0,55 Nm
Turn left-right		0,4 - 0,5 Nm	0,4 - 0,55 Nm
Flow rate @ 3 bar ⁽²⁾			
Free Flow (mix)		25,3 l/min	27,5 l/min
D-Restrictor (mix)		21,1 l/min	22,4 l/min

⁽¹⁾ The prescribed tightening torque is related to faucet body and nut both in brass material, pitch 1,5 mm and no lubricant applied on the threads. For other faucet body – nut material combinations please contact SEDAL.

⁽²⁾ Measured with SEDAL faucet.

EC-40

Regular



Description

Standard 40mm cartridge meeting NF C3 (ECAU) requirements.

Standard 40mm cartridge with C3 technology and mirror base to make it easier to fit in Kitchens, avoiding the handle touching the wall.

Openings



Cold



Cold-Mirror

Certifications

KTW

WRAS

ACS

AS/
NZS

Technologies



Due

Advantages

Cold Technology

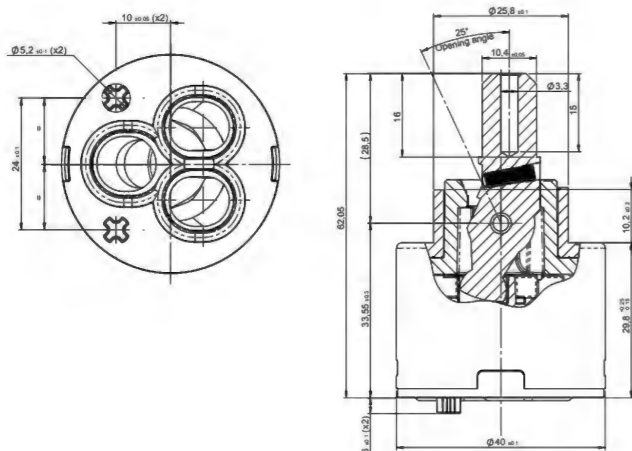
The lever is in cold position by default, saving up to 45% from the household energy consumption related to plumbing products

Due Technology

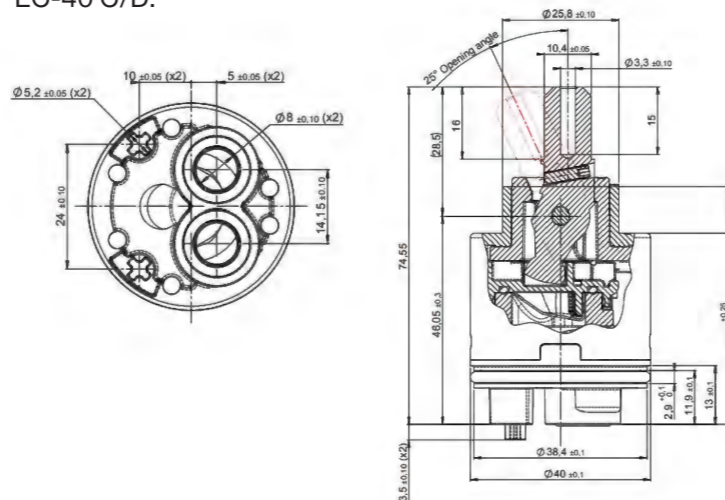
Easier control of water flow thanks to Due technology, which presents a slight resistance to indicate that the fitting is using approximately a 50% of its flow. This feature allows saving up to 54% of daily water consumption.

Dimensions

EC-40 S/D:



EC-40 C/D:



Versions

	Short base (SD)	Long base (CD)	Opening	Temperature Limiter (TR)	Temperature & Flow limiter (TRN)	Due	Special Function
EC-40 Cold Due	08EC40S3003	08EC40L3003	Cold			x	
EC-40 Cold-Mirror Due	08EC40S2001	08EC40L2001	Cold-Mirror			x	

Technical Specifications

	EC-40 Cold Due	08EC40S3003	EC-40 Cold-Mirror Due	08EC40S2001	08EC40L2001
General					
Nut torque ⁽¹⁾		10 - 12 Nm	10 - 12 Nm	10 - 12 Nm	10 - 12 Nm
Opening angle		25°	25°	25°	25°
Rotation angle		100°	100°	110°	110°
Working pressure (recommended)		1 - 5 bar	1 - 5 bar	1 - 5 bar	1 - 5 bar
Burst pressure		> 30 bar	> 30 bar	50 bar	> 30 bar
Life cycles EN 817		175.000 cycles	175.000 cycles	70.000 cycles	70.000 cycles
Sensitivity (r= 45 mm) ⁽²⁾		10 mm	10 mm	13° - 14°	13° - 14°
Fidelity ⁽²⁾		< 5°	< 5°	13° - 14°	13° - 14°
Max. hot water		90 °C	90 °C	90 °C	90 °C
Noise, @3 bar		< 20 dB (Group I)	< 20 dB (Group I)		
Operation Torque					
Open-close		0,4 - 0,5 Nm	0,4 - 0,5 Nm	0,4 - 0,5 Nm	0,4 - 0,5 Nm
Turn left-right		0,4 - 0,5 Nm	0,4 - 0,5 Nm	0,4 - 0,5 Nm	0,4 - 0,5 Nm
Flow rate @ 3 bar ⁽²⁾					
Free Flow (mix)		15 l/min	16 l/min	17 l/min	17 l/min
A-Restrictor (mix)		10,5 l/min	11 l/min	10,9 l/min	10,9 l/min

⁽¹⁾ The prescribed tightening torque is related to faucet body and nut both in brass material, pitch 1,5 mm and no lubricant applied on the threads. For other faucet body – nut material combinations please contact SEDAL.

⁽²⁾ Measured with SEDAL faucet.

TRN-40

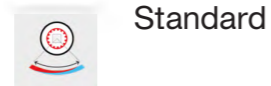
Regular



Description

Sedal standard cartridge includes flow and temperature limiters to save water and energy, offering an environmental sustainability feature.

Openings



Certifications



Technologies



Advantages

Proven robustness

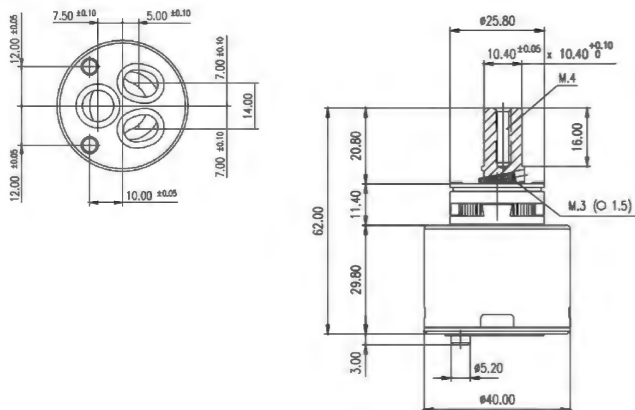
Based on a 40 mm platform widely validated in the field over many years, the cartridge ensures reliable performance, durability, and consistent operation in demanding conditions.

Water and energy saving:

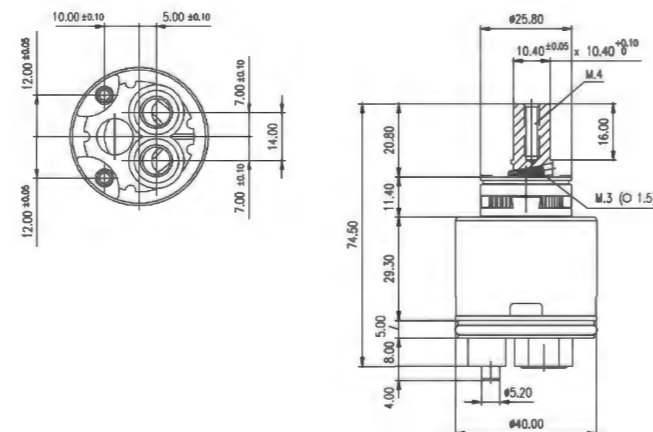
The built-in flow limitation system reduces water consumption without compromising comfort, contributing to improved energy efficiency and sustainability.

Dimensions

TRN-40 S/D:



TRN-40 C/D:



Versions

	Short base (SD)	Long base (CD)	Opening	Temperature Limiter (TR)	Temperature & Flow limiter (TRN)	Due	Special Function
TRN-40	08RN40FVE00	08RN40LVE00	Standard		x		

Technical Specifications

	TRN-40	08RN40FVE00	08RN40LVE00
General			
Nut torque ⁽¹⁾		10 - 12 Nm	10 - 12 Nm
Opening angle		25°	25°
Rotation angle		100°	100°
Working pressure (recommended)		1 - 5 bar	1 - 5 bar
Burst pressure		55 - 65 bar	60 - 72 bar
Life cycles - EN 817		70.000 cycles	70.000 cycles
- ASME 112.18.1 M		500.000 cycles	
Sensitivity ⁽²⁾		9,6° - 9,7°	8° - 10°
Max. hot water		90 °C	90 °C
Operation Torque			
Open-close		0,35 - 0,4 Nm	0,35 - 0,5 Nm
Turn left-right		0,35 - 0,4 Nm	0,35 - 0,5 Nm
Flow rate @ 3 bar ⁽²⁾			
Free Flow (mix)		25 l/min	25,4 l/min
C-Restrictor (mix)		19,3 l/min	20,5 l/min

⁽¹⁾ The prescribed tightening torque is related to faucet body and nut both in brass material, pitch 1,5 mm and no lubricant applied on the threads. For other faucet body - nut material combinations please contact SEDAL.

⁽²⁾ Measured with SEDAL faucet.

SN-40

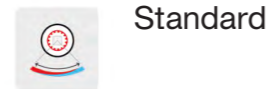
Regular



Description

Sedal SN standard cartridge includes flow and temperature limiters to save water and energy, offering an environmental sustainability feature.

Openings



Certifications

- KTW
- WRAS
- NSF
- ACS
- AS/NZS

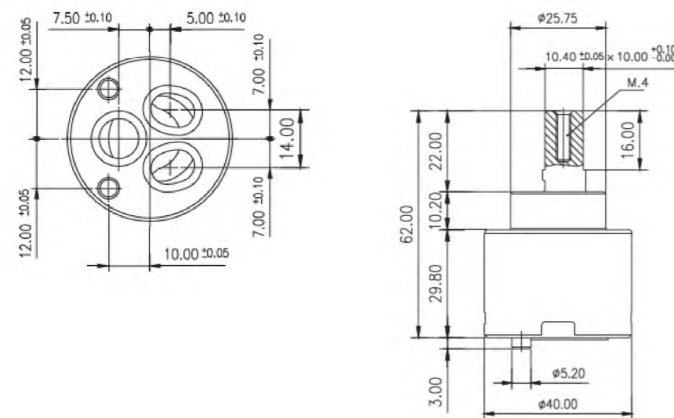
Advantages

SN Technology

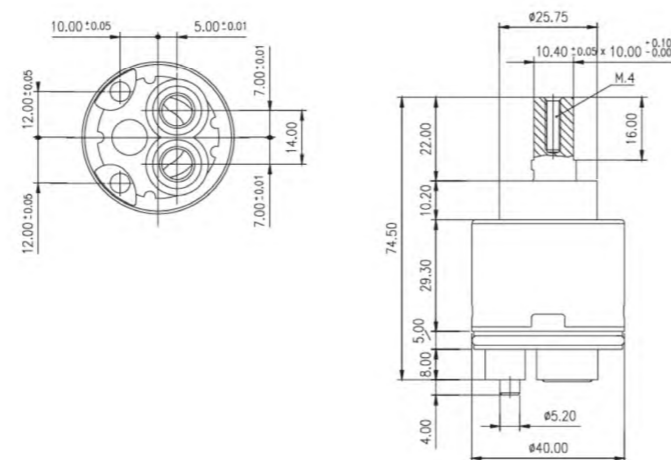
The classic standard cartridge with SN technology. Ceramics discs do not move in close position providing a unique smoothness of operation and higher durability (up to 20% longer life).

Dimensions

SN-40 S/D:



SN-40 C/D:



Versions

	Short base (SD)	Long base (CD)	Opening	Temperature Limiter (TR)	Temperature & Flow limiter (TRN)	Due	Special Function
SN-40	08SN40FAZ00	08SN40LAZ00	Standard				

Technical Specifications

	SN-40	08SN40FAZ00	08SN40LAZ00
General			
Nut torque ⁽¹⁾		10 - 12 Nm	10 - 12 Nm
Opening angle		25°	25°
Rotation angle		100°	100°
Working pressure (recommended)		1 - 5 bar	1 - 5 bar
Burst pressure		68 - 77 bar	72 bar
Life cycles -EN 817		70.000 cycles	70.000 cycles
Sensitivity ⁽²⁾		10° - 11°	10° - 12°
Fidelity ⁽²⁾		4,5 °C	-
Max. hot water		90 °C	90 °C
Operation Torque			
Open-close		0,35 - 0,4 Nm	0,35 - 0,4 Nm
Turn left-right		0,35 - 0,4 Nm	0,35 - 0,4 Nm
Flow rate @ 3 bar ⁽²⁾			
Free Flow (mix)		26,8 l/min	26,4 l/min
C-Restrictor (mix)		20,4 l/min	20,5 l/min

⁽¹⁾ The prescribed tightening torque is related to faucet body and nut both in brass material, pitch 1,5 mm and no lubricant applied on the threads. For other faucet body – nut material combinations please contact SEDAL.

⁽²⁾ Measured with SEDAL faucet.

DN-40

Regular



Description

40mm basic cartridge with ACS certification and available with and without distributor. This Sedal valve is specially designed for washbasins, bath-showers and kitchen faucets.

Openings



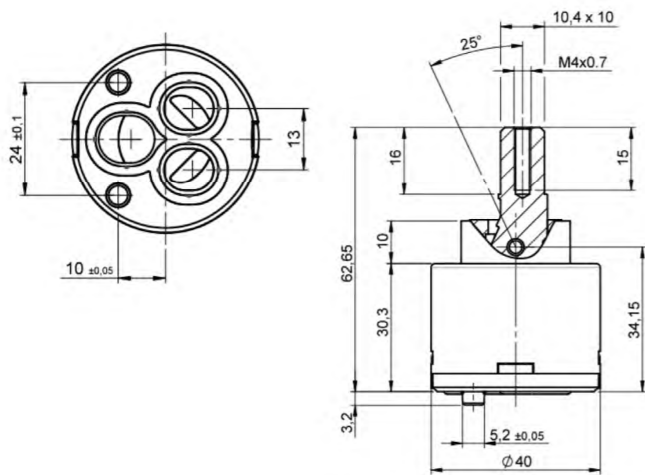
Standard

Advantages

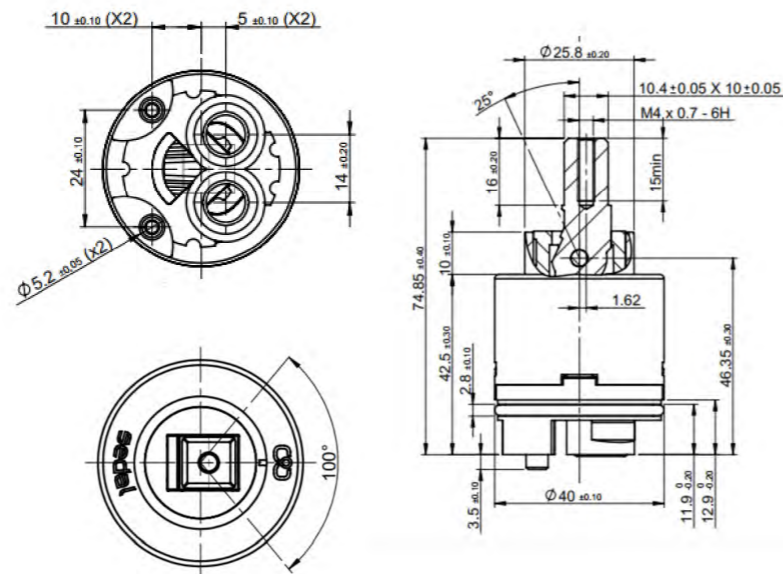
Start with Sedal
Entry-level product with Sedal high-reliability.

Dimensions

SN-40 S/D:



SN-40 C/D:



Versions

	Short base (SD)	Long base (CD)	Opening	Temperature Limiter (TR)	Temperature & Flow limiter (TRN)	Due	Special Function
DN-40	08DN40FBG01	08DN40LBG01	Standard				

Technical Specifications

	DN-40	08DN40FBG01	08DN40LBG01
General			
Nut torque ⁽¹⁾		10 - 12 Nm	10 - 12 Nm
Opening angle		25°	25°
Rotation angle		100°	100°
Working pressure (recommended)		1 - 5 bar	1 - 5 bar
Burst pressure		35 bar	>35 bar
Life cycles -EN 817		70.000 cycles	70.000 cycles
		500.000 cycles	500.000 cycles
Sensitivity ⁽²⁾		≥ 12°	14°
Constant 63°C & 50°C (6 l/min-3 l/min) ⁽²⁾		< 4 °C - < 6 °C	< 2 °C
Max. hot water		90 °C	90 °C
Operation Torque			
Open-close		0,35 - 0,4 Nm	0,2 - 0,4 Nm
Turn left-right		0,35 - 0,4 Nm	0,15 - 0,45 Nm
Flow rate @ 3 bar ⁽²⁾			
Free Flow (mix)		25,2 l/min	24 l/min
C-Restrictor (mix)		19,3 l/min	

⁽¹⁾ The prescribed tightening torque is related to faucet body and nut both in brass material, pitch 1,5 mm and no lubricant applied on the threads. For other faucet body - nut material combinations please contact SEDAL.

⁽²⁾ Measured with SEDAL faucet.

G-40

Upper Sealing



Description

Upper sealed cartridges allow the manufacturer to work with different faucet configurations, including those in which the spout is located on the upper side. Some of these cartridges also provide extra productivity thanks to their design.

Openings



Standard

Certifications

WRAS

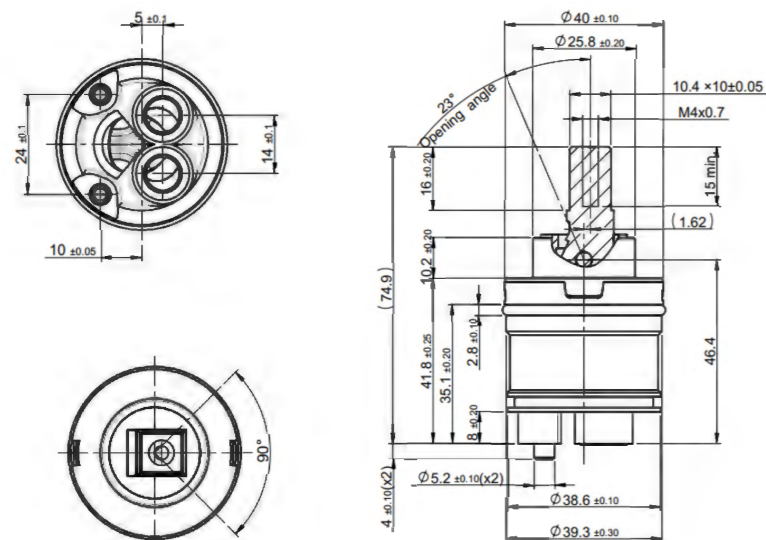
ACS

Technologies



Due

Dimensions



Versions

	GC Upper Sealing	EX Upper Sealing	CC Upper Sealing	G Upper Sealing	Opening	Temperature Limiter (TR)	Temperature & Flow limiter (TRN)	Due	Special Function
G-40	-	-	-	08G40LBE00	Standard				
G-40 Due	-	-	-	08G40LBE30	Standard			x	

Technical Specifications

	G-40	08G40LBE00
General		
Nut torque ⁽¹⁾		10 - 12 Nm
Opening angle		23°
Rotation angle		90°
Working pressure (recommended)		1 - 5 bar
Burst pressure		> 35 bar
Life cycles - EN 817		70.000 cycles
- ASME 112.18.1 M		500.000 cycles
Sensitivity ⁽²⁾ (r = 65mm)		10°
Fidelity ⁽²⁾		< 3 °C
Max. hot water		90 °C
Operation Torque		
Open-close		0,2 - 0,4 Nm
Turn left-right		0,2 - 0,45 Nm
Flow rate @ 3 bar ⁽²⁾		
Free Flow (mix)		25,9 l/min
C-Restrictor (mix)		20,9 l/min

⁽¹⁾ The prescribed tightening torque is related to faucet body and nut both in brass material, pitch 1,5 mm and no lubricant applied on the threads. For other faucet body - nut material combinations please contact SEDAL.

⁽²⁾ Measured with SEDAL faucet.

EX-40 Compact

Upper Sealing



Description

Compact 40 mm cartridge allows the manufacturer for short faucets.

Openings



Standard

Certifications

KTW

NSF

ACS

cUPC

Technologies



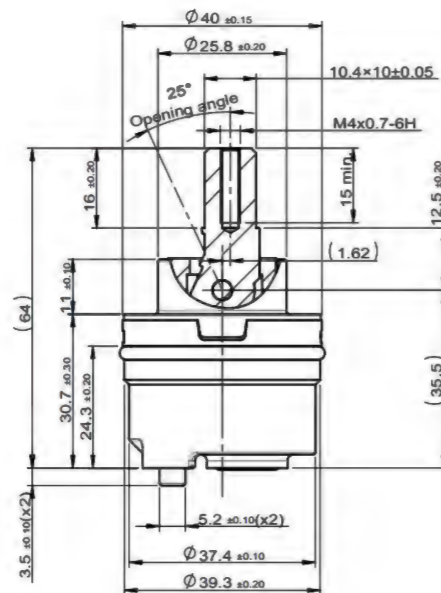
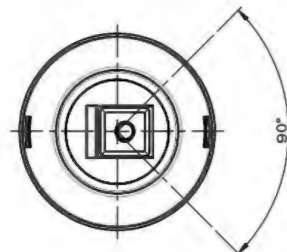
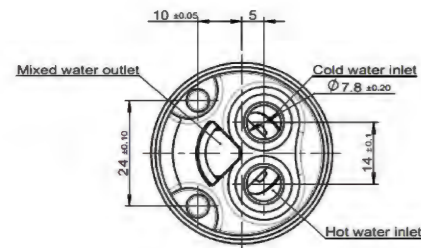
Due

Advantages

Minimalism with high performance

Allows the manufacturer to work with different faucet Compact cartridges allow the manufacturer to create minimalistic faucets without giving up the high-performance features of the cartridges

Dimensions



Versions

	GC Upper Sealing	EX Upper Sealing	CC Upper Sealing	G Upper Sealing	Opening	Temperature Limiter (TR)	Temperature & Flow limiter (TRN)	Due	Special Function
EX-40 Compact	-	08EX40S0001	-	-	Standard				
EX-40 Due Compact	-	08EX40S3001	-	-	Standard			x	

Technical Specifications

	EX-40	08EX40S0001
	EX-40 Due	08EX40S3001
General		
Nut torque ⁽¹⁾	10 - 12 Nm	10 - 12 Nm
Opening angle	25°	25°
Rotation angle	90°	90°
Working pressure (recommended)	1 - 5 bar	1 - 5 bar
Burst pressure	> 50 bar	50 - 55 bar
Life cycles -EN 817	70.000 cycles	70.000 cycles
Sensitivity ⁽²⁾	>12°	14° - 16°
Max. hot water	90 °C	90 °C
Operation Torque		
Open-close	0,2 - 0,4 Nm	0,28 - 0,32 Nm
Turn left-right	0,1 - 0,3 Nm	0,13 - 0,25 Nm
Saving device (Due)		0,6 - 0,9 Nm
Flow rate @ 3 bar ⁽²⁾		
Free Flow (mix)	26 l/min	26 l/min
D-Restrictor (mix)	21,7 l/min	21,7 l/min

⁽¹⁾ The prescribed tightening torque is related to faucet body and nut both in brass material, pitch 1,5 mm and no lubricant applied on the threads. For other faucet body – nut material combinations please contact SEDAL.

⁽²⁾ Measured with SEDAL faucet.

PB-40

Pressure Balance



Description

Pressure balance cartridges include a special mechanical device that detects pressure variations in water inlets, ensuring temperature stability. Particularly suited for applications in which water pressure is unstable.

Openings



Standard

Certifications

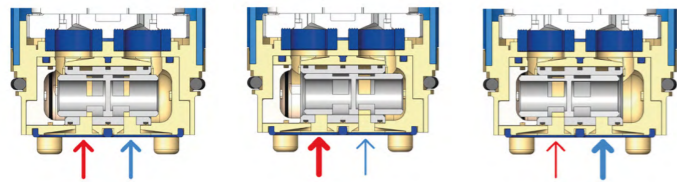
NSF

ACS

Advantages

Compensates pressure variations

Pressure balance cartridges have a special base with a cylinder and a piston that moves according to pressure variations to keep the water temperature stable and avoid the annoying changes of temperature when showering.



Balanced pressure

When the water pressure is stable, the piston inside the cylinder is located in the middle of the cartridge.

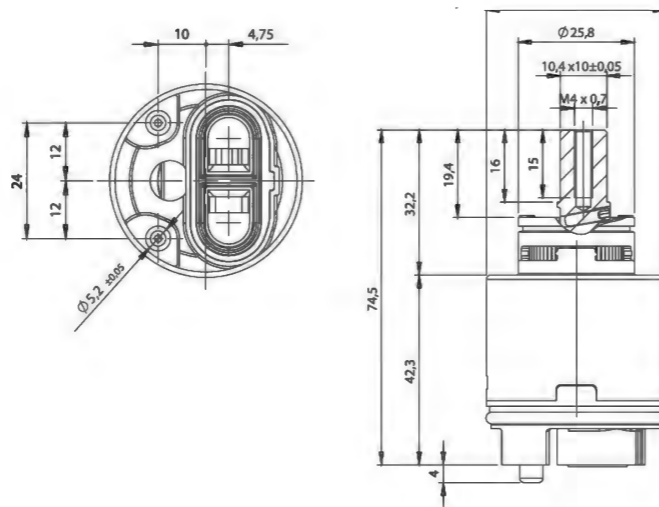
Hot water pressure

When the hot water enters the cartridge with more pressure than the cold, the piston moves to the right to close the inlet of hot water until it equals to the pressure of cold water.

Cold water pressure

When the cold water enters the cartridge with more pressure than the hot, the piston moves to the left to close the inlet of cold water until it equals to the pressure of hot water.

Dimensions



Versions

	Short base (SD)	Long base (CD)	Opening	Temperature Limiter (TR)	Temperature & Flow limiter (TRN)	Due	Special Function
PB-40	-	08PB40L0001	Standard				Pressure Balance
PB-40 TRN	-	08PB40L4602	Standard		x		Pressure Balance

Technical Specifications

	PB-40	08PB40L0001
	PB-40 TRN	08PB40L4602
General		
Nut torque ⁽¹⁾	10 - 12 Nm	10 - 12 Nm
Opening angle	25°	23,5°
Rotation angle	100°	100°
Working pressure (recommended)	1 - 5 bar	1 - 5 bar
Burst pressure	> 35 bar	> 35 bar
Life cycles -EN 817	70.000 cycles	70.000 cycles
Sensitivity ⁽²⁾	> 12°	> 12°
Fidelity ⁽²⁾	2 °C	2 °C
Max. hot water	90 °C	90 °C
Operation Torque		
Open-close	0,35 - 0,45 Nm	0,35 - 0,45 Nm
Turn left-right	0,35 - 0,45 Nm	0,35 - 0,45 Nm
Flow rate @ 3 bar ⁽²⁾		
Free Flow (mix)	15,8 l/min	15,8 l/min
C-Restrictor (mix)	14,1 l/min	14,1 l/min

⁽¹⁾ The prescribed tightening torque is related to faucet body and nut both in brass material, pitch 1,5 mm and no lubricant applied on the threads. For other faucet body – nut material combinations please contact SEDAL.

⁽²⁾ Measured with SEDAL faucet.

GI-40

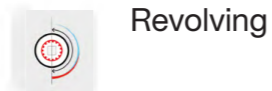
Revolving



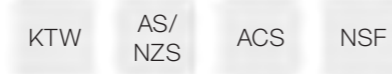
Description

Revolving cartridges include a turning lever in order to mix water and provide better control of the flow rate.

Openings



Certifications



Technologies



Advantages

180 Rotation Angle

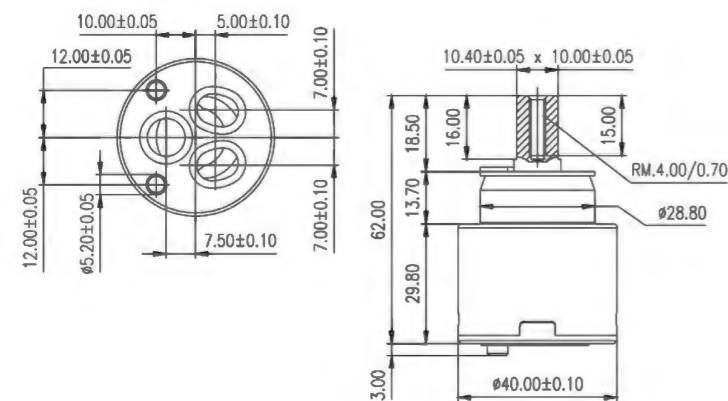
40mm revolving cartridge has a rotation angle of 180° from cold to hot.

Easy revolving movement

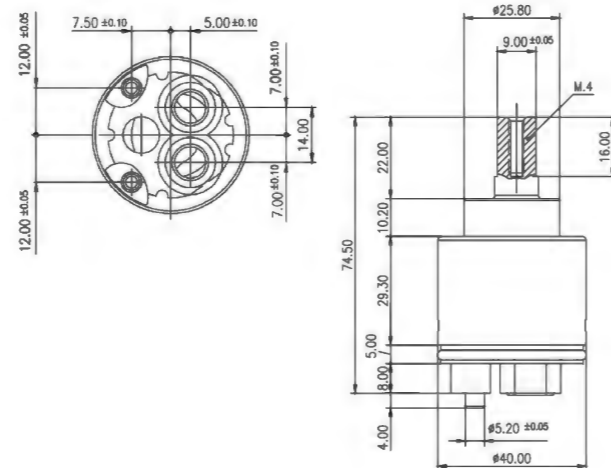
Smooth revolving movement for a comfort operation to the user.

Dimensions

S/D:



C/D:



Versions

	Short base (SD)	Long base (CD)	Opening	Temperature Limiter (TR)	Temperature & Flow limiter (TRN)	Due	Special Function
GI-40 TR L10	08GI40FBE64	08GI40LBE64	Revolving	x			
GI-40 Metal Lever Z20	08GI40FBE00	08GI40LBE00	Revolving				Metal Lever
GI-40 L10	08GI40FBE10	08GI40LBE10	Revolving				

Technical Specifications

	GI-40 TR L10	GI-40 L10
General		
Nut torque ⁽¹⁾	10 - 12 Nm	10 - 12 Nm
Rotation angle	180°	180°
Working pressure (recommended)	1 - 5 bar	1 - 5 bar
Burst pressure	45 - 50 bar	45 - 50 bar
Life cycles - EN 200	200.000 cycles	200.000 cycles
- ASME 112.18.1 M	500.000 cycles	500.000 cycles
Max. hot water	90 °C	90 °C
Operation Torque		
Open-close	0,25 - 0,4 Nm	0,25 - 0,4 Nm
Turn left-right	0,25 - 0,4 Nm	0,25 - 0,4 Nm
Flow rate @ 3 bar ⁽²⁾		
Free Flow (mix)	22,8 l/min	23 l/min
C-Restrictor (mix)	18,4 l/min	19,8 l/min

⁽¹⁾ The prescribed tightening torque is related to faucet body and nut both in brass material, pitch 1,5 mm and no lubricant applied on the threads. For other faucet body – nut material combinations please contact SEDAL.

⁽²⁾ Measured with SEDAL faucet.

GC-45 High Flow

Upper Sealing



Description

45mm high flow cartridge.

Openings



Standard

Certifications

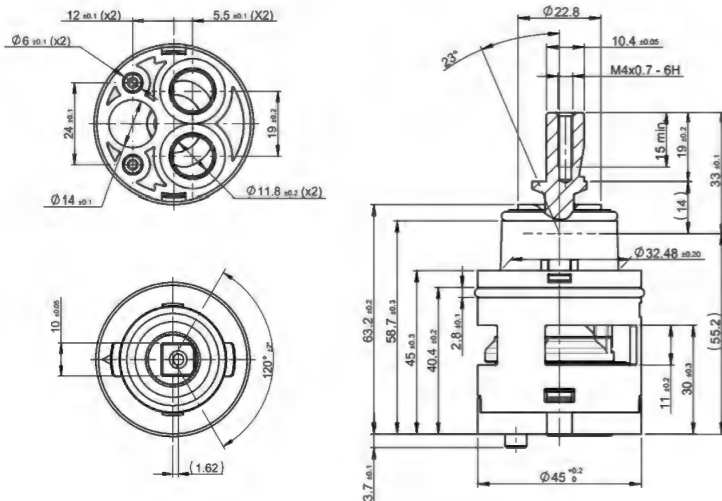
WRAS

Technologies

ML

Metal Lever

Dimensions



Versions

	Short base (SD)	Long base (CD)	Opening	Temperature Limiter (TR)	Temperature & Flow limiter (TRN)	Due	Special Function
GC-45 High Flow	08GC45FBE00	-	Standard				

Technical Specifications

	GC-45 High Flow	08GC45FBE00
General		
Nut torque ⁽¹⁾		10 - 12 Nm
Rotation angle		23°
Working pressure (recommended)		1 - 5 bar
Burst pressure		30 bar
Life cycles - EN 817		70.000 cycles
- ASME 112.18.1 M		500.000 cycles
Max. hot water		90 °C
Operation Torque		
Open-close		0,34 - 0,36 Nm
Turn left-right		0,4 - 0,5 Nm
Flow rate @ 3 bar ⁽²⁾		
Free Flow (mix)		43,2 l/min

⁽¹⁾ The prescribed tightening torque is related to faucet body and nut both in brass material, pitch 1,5 mm and no lubricant applied on the threads. For other faucet body – nut material combinations please contact SEDAL.

⁽²⁾ Measured with SEDAL faucet.

Thermostatics

Sedal's Thermostatic cartridges provide fast response & high reliability, made with high quality material for each part of the pieces, from the sensor the the plastic body part.

The sensor is an European element of high sensitivity, which provide safety and a scaling-free experience to the user.

With three sizes and with tailored made waterway core bodies, you can have a full thermostatic set with just a couple of choises.



Thermostatic TM-006 for High Pressure

Thermostatic Cartridges

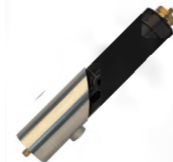
19 products
3 sizes

Thermostatic

TM-001



Name	Code	Page
TM-001 Standard	07TM00100	143
TM-001 BASIC 4MS (EN)	07TM0157	143
TM-001 UBA-4MS	07TM0117	143
TM-001 HP	07TM0102	143
TM-001 LOW PRESSURE 4MS	07TM0131	143
TM-001 BASIC NAT	07TM0119	143
TM-001 C STD	07TM0112	143
TM-001 C 4MS	07TM0121	143
BRASS UBA-4MS	07TM0154	143



Name	Code	Page
TM-001 Core	07TM00100	145

TM-002



Name	Code	Page
TM-002 ASSE	07TM0203	147
TM-002 ASSE High Flow	07TM0208	147
TM-002 EN	07TM0204	147
TM 002 QB	07TM0205	147
TM-002 NF C1	07TM0210	147
TM-002 NF C3	07TM0211	147

TM-006



Name	Code	Page
TM-006 Standard	07TM00614	149
TM-006 With Clicks	07TM0608	149
TM-006 Basic QB	07TM0613	149
TM-006 Basic EN	07TM0607	149



Name	Code	Page
TM-006 Core	07TM00100	151

Mechanical Requirements

153

TM-001

Regular



Description

Standard thermostatic cartridges complying with EN1111 specifications for shower and bath appliances.

With a life cycle of 50,000 cycles, it suits all the design and quality requirements of the market, providing high reliability and high response, with specific anti-scalding safety measures.

Certifications

KTW WRAS ACS

Advantages

High stability materials

High stability thermoplastic materials help reducing limescale.

Different certified versions

We have adapted our TM-001 materials to create new versions according to 4MS, ACS, WRAS or KTW regulation in acceptance of metallic materials used for products in contact with drinking water, using authorised materials.

Double life cycle

TM-001 has 2x EN-1111 cycles, allowing the cartridge and the system to have a longer life.

High pressure version

We have created an special TM-001 cartridge for high-pressure applications.

Compact version

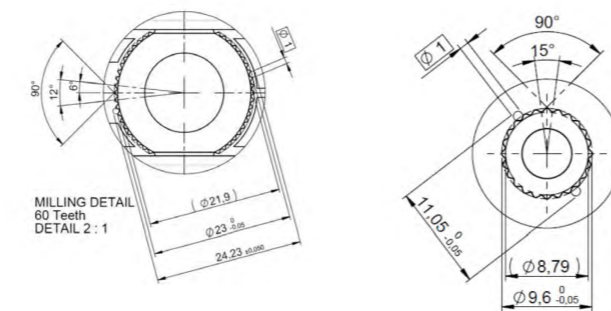
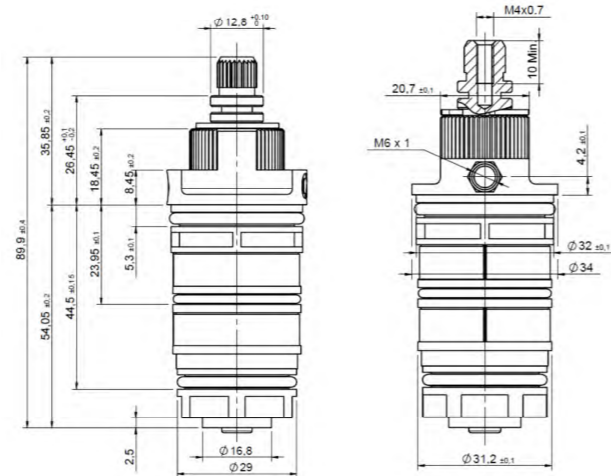
Its reduced length makes it perfect to fit wall-mounted installations, without giving up any of the standard highperformance features and certifications.

Brass version

Sedal's legendary thermostatic performance packs in a brass body for high precision adjustment and extreme dimensional stability. Available in 2 different sensors, the Brass thermostatic cartridges from Sedal are designed to fulfill most international standards to make it possible to apply in global products.

Dimensions

TM-001 Standard

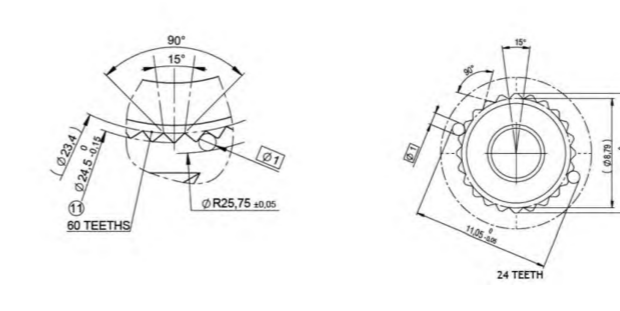
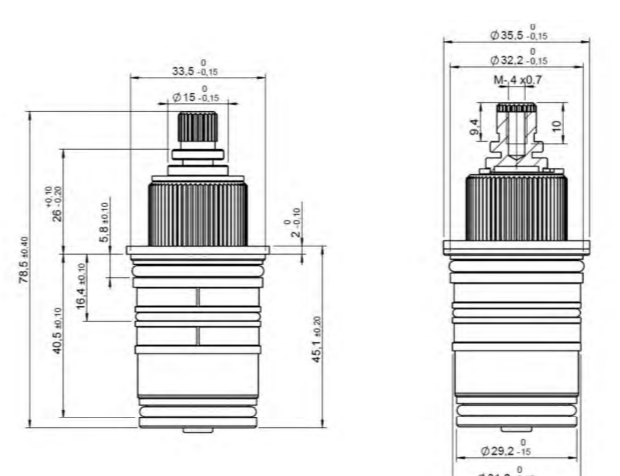


MILLING DETAIL
24 Teeth
DETAIL 2 : 1

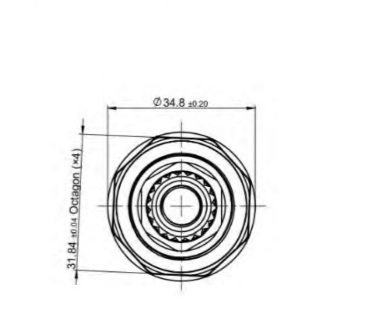
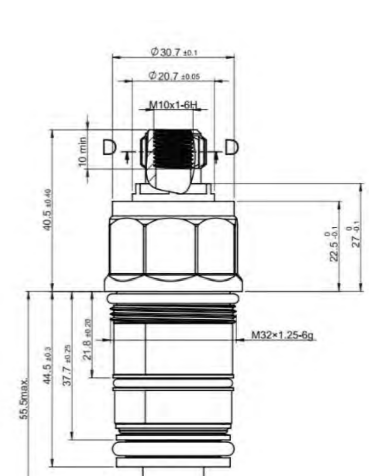
Versions & technical Specifications

	TM-001 Standard	TM-001 UBA-4MS	TM-001 LP 4MS	TM-001 BASIC NAT	TM-001 C STD	TM-001 C 4MS	TM-001 HP	BRASS UBA-4MS
General	07TM00100	07TM0117	07TM0131	07TM0119	07TM0112	07TM0121	07TM0102	07TM0154
Burst pressure	> 25 bar/min	> 25 bar/min	> 25 bar/min	> 35 bar/min	> 25 bar/min	> 35 bar/min	> 35 bar/min	> 35 bar/min
Life cycle - EN-1287 - EN-1111 - ASSE 1016	100.000 cycles	50.000 cycles	50.000 cycles	100.000 cycles 100.000 cycles	100.000 cycles	100.000 cycles 80.000 cycles	100.000 cycles	100.000 cycles 80.000 cycles
Max. Hot water temperature	90 °C	90 °C	90 °C	90 °C	90 °C	90 °C	90 °C	90 °C
Max. Turn angle for stoppers (from 38°C in 0° angle position)	±170° angle	±170° angle	±170° angle	±170° angle	±170° angle	±170° angle	±170° angle	±170° angle
Noise level	18,80 - 21,10 dB	18,80 - 21,10 dB	18,80 - 21,10 dB	-	18,80 - 21,10 dB	18,80 - 21,10 dB	18,80 - 21,10 dB	18,80 - 21,10 dB
Turn left - right	< 0,35	< 0,35	< 0,35	0,3 - 0,5	0,3 - 0,5	< 0,35	< 0,35	< 0,35
Sensitivity (36-40°C) (handler R 20mm)	14 mm	20 mm	14 mm	15 mm	15 mm	14 mm	14 mm	14 mm
Cold water supply failure test	Perfect cutting	Perfect cutting	Perfect cutting	Perfect cutting	Perfect cutting	Perfect cutting	Perfect cutting	Perfect cutting
Flow rate (free)	23 l/min at 3 bar	16 l/min at 0.6 bar 34 l/min at 3 bar	22 l/min at 3 bar	26 l/min	26 l/min	23 l/min at 3 bar	23 l/min at 3 bar	23 l/min at 3 bar

TM-001 C Standard



TM-001 Brass UBA - 4MS



TM-001 Core

Thermostatic Shower Waterway



Description

The TM001 CORE inner body is a multi-function component that makes it extremely simple to expand the range of thermostatic showers. Featuring high standard thermoplastics, the CORE is the actual faucet, making it only necessary to develop a wrapping body around it.

The TM001 CORE manages the waterways, holds the thermostatic cartridge and a secondary valve, it is the main structural component and, additionally, it can be delivered fully tested before being delivered to the manufacturer.

Certifications

KTW WRAS ACS

Advantages

Temperature control

TM001 is a thermostatic regulation system that allows the user to set and easily adjust the desired temperature of the shower, while ensuring the steadiest mixed outlet water temperature. This control of the outlet temperature also allows an antiscalding safety feature for the maximum comfort to the user.

Anti-Scalding feature

This thermostatic cartridge allows an anti-scalding safety feature for the maximum comfort to the user. In case of cold water supply failure, the valve automatically shutdowns the waterflow.

Burst pressure

Withstands a burst pressure up to 25bar.

Cool touch

Touching the thermostatic valve and getting scalded is a thing of the past. This solution is the easiest configuration any engineer can use to build a cool-touch on-wall thermostatic faucet, avoiding intricate and inefficient brass casting solutions.

The CORE keeps the surface of the faucet away from the hot water by design.that includes Sedal's TM001 reputed thermostatic valve, a flow-control/diverting cartridge and the nuts. All installed and tested from factory.

Lead free

Lead free and chloramine resistant options.

All in one

The TM001 CORE is an all-in-one solution that makes it easier than ever to build a new on-wall thermostatic showering system. The system is a finished assembly that includes Sedal's TM001 reputed thermostatic valve, a flow-control/diverting cartridge and the nuts. All installed and tested from factory.

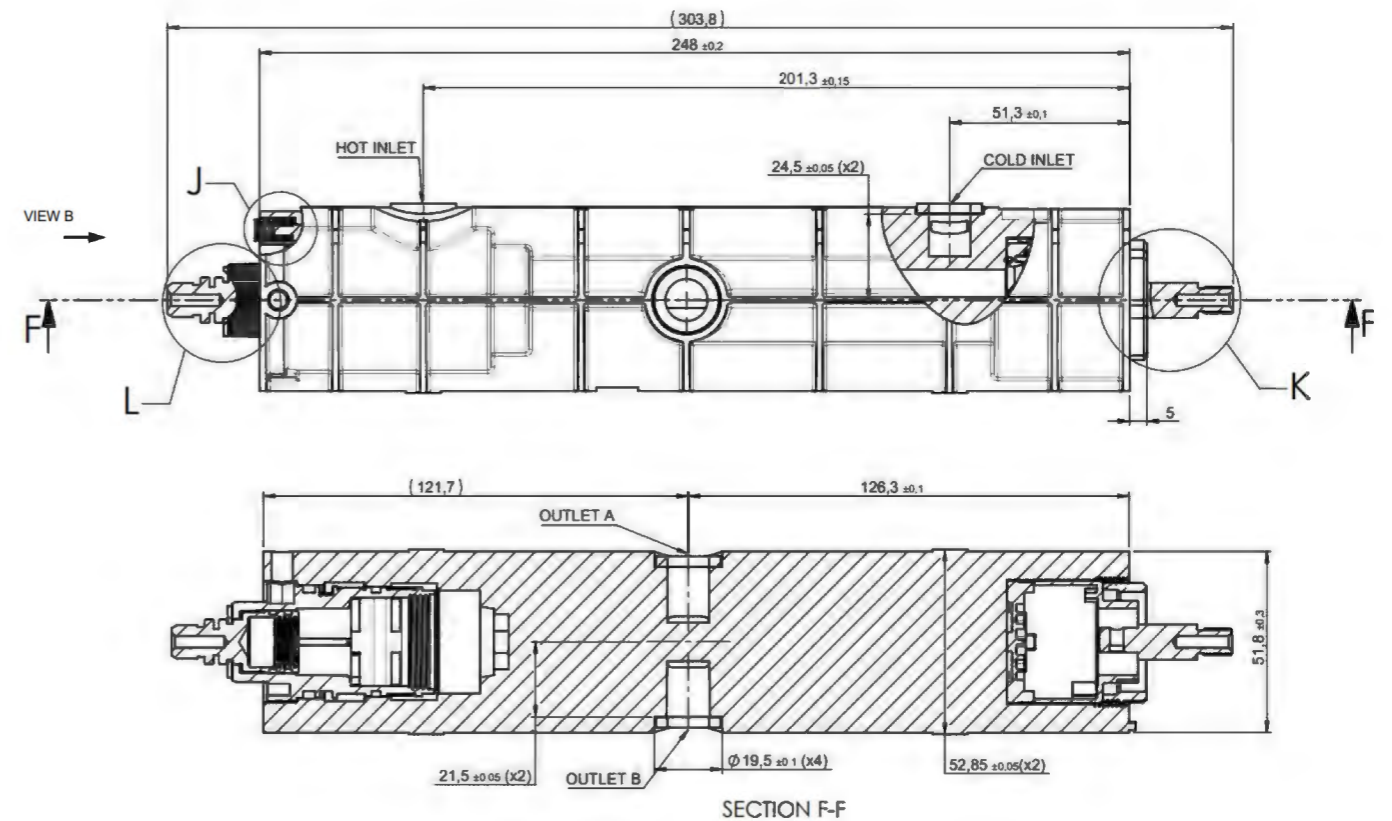
Dry-Faucet technology

The TM001 CORE handles the water in within the body and valves, never allowing it to touch the body. Therefore, any material can be used to build the external sleeve. The engineering team can freely define alternative materials like zinc or leaded brass and the nuts. All installed and tested from factory.

Versions & technical Specifications

TM-001 CORE	18TM01001
General	
Standards*	QB5418-2019
Burst pressure	>25 bar / 1 min
Life cycle: - EN1111 Temp control	50.000 cycles
- EN1111 Flow control	200.000 cycles
Max. hot water	90°
Max. Turn angle for Cold water	Max. 170° angle
Max. Turn angle for Hot water <49°C	38° - 80°
Diverter rotation angle for flow control	180° angle
Movement feeling	
Turn left-right Temp control	0.10 - 0.35 Nm
Turn left-right flow control	
Sensitivity (36-40°C) (handle R 25 mm)	17 mm
Cold water supply failure test	Perfect cutting
Flow rate (34-44°C) Rh A / Rh B	14,6 at 3 bar - 11,2 l/min

Dimensions



TM-002

Regular



Description

The TM-002 standard Thermostatic features a high precision thermostatic element and a sophisticated control system, ensuring accurate temperature regulation and enhanced user safety.

It is fully compliant with key international standards, including NF EN 1111 (NF077 certification), ASSE 1016, and QB-T5418, making it suitable for demanding applications where reliability and performance are essential.

Versions & technical Specifications

TM-002 ASSE	07TM0203	
TM-002 EN	07TM0204	
TM 002 QB	07TM0205	
TM-002 NF C1	07TM0210	
TM-002 NF C3	07TM0211	
TM-002 ASSE High Flow	07TM0208	

General		
Burst pressure	> 35 bar/min	> 35 bar/min
Life cycle - EN-1111	100.000 cycles	
- ASSE 1016	100.000 cycles	100.000 cycles
- QB/T 5418	30.000 cycles	
Max. Hot water temperature	90 °C	90 °C
Max. Turn angle for stoppers (from 38°C in 0° angle position)	±170° angle	±170° angle
Noise level	Class I	Class I
Turn left - right	< 0,5 Nm	< 0,5 Nm
Sensitivity (36-40°C) (handler R 20mm)	19 mm	19 mm
Cold water supply failure test	Perfect cutting	Perfect cutting
Flow rate	38,1 l/min @ 3 bar	60,4 l/min @ 3 bar

Advantages

High stability materials

High stability thermoplastic materials help reducing limescale.

Different certified versions

We have adapted our TM-002 materials to create new versions according to 4MS, ACS, WRAS or KTW regulation in acceptance of metallic materials used for products in contact with drinking water, using authorised materials.

Double life cycle

TM-002 has 2x EN-1111 cycles, allowing the cartridge and the system to have a longer life.

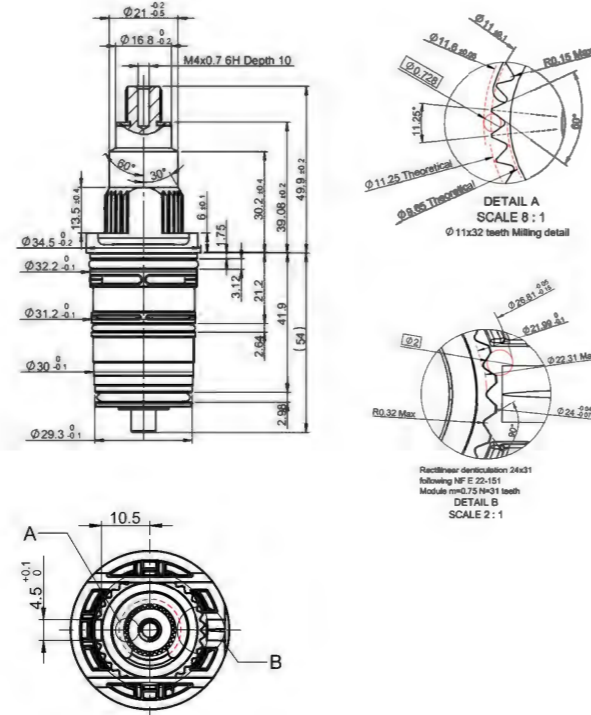
High pressure version

We have created an special TM-002 cartridge for high-pressure applications.

Temperature control

TM-002 has a thermostatic regulation system that allows the user to set and easily adjust the desired temperature of the shower, while ensuring the steadiest mixed outlet water temperature. This control of the outlet temperature also allows an anti-scalding safety feature for the maximum comfort to the user.

Dimensions



TM-006

Regular



Description

Standard thermostatic cartridges complying with EN1111 specifications for shower and bath appliances. With a life cycle of 50,000 cycles, it suits all the design and quality requirements of the market, providing high reliability and high response, with specific anti-scalding safety measures.

Certifications

KTW WRAS ACS

Advantages

High stability materials

High stability thermoplastic materials help reducing limescale.

Different certified versions

We have adapted our TM-006 materials to create new versions according to 4MS, ACS, WRAS or KTW regulation in acceptance of metallic materials used for products in contact with drinking water, using authorised materials.

Double life cycle

TM006 has 2x EN-1111 cycles, allowing the cartridge and the system to have a longer life.

High pressure version

We have created an special TM006 cartridge for high-pressure applications.

Temperature control

TM-006 has a thermostatic regulation system that allows the user to set and easily adjust the desired temperature of the shower, while ensuring the steadiest mixed outlet water temperature. This control of the outlet temperature also allows an anti-scalding safety feature for the maximum comfort to the user.

Slim version

TM-006 reduced diameter makes it easier to fit in slim applications and the manufacturer has wider design options.

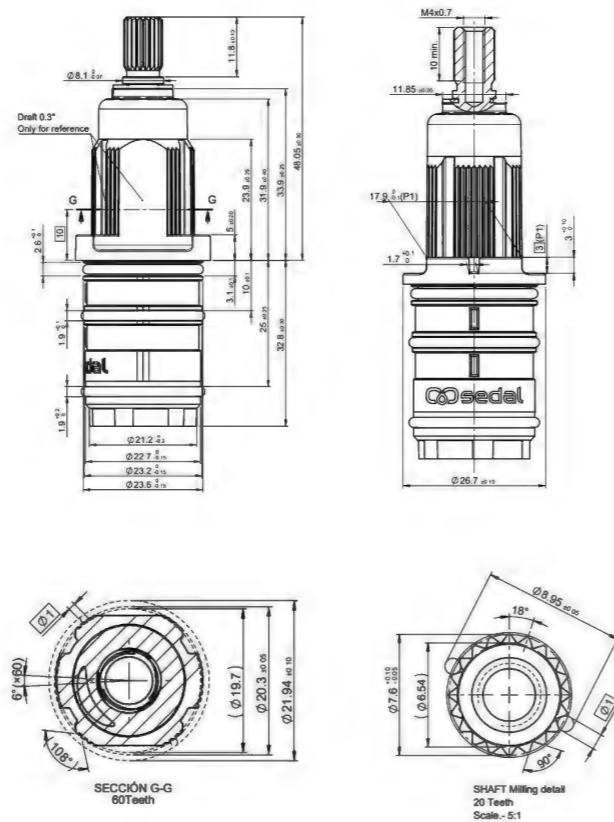
Click version

The TM-006 with Clicks includes a click on the lever that indicates to the user the change of the set temperature.

Versions & technical Specifications

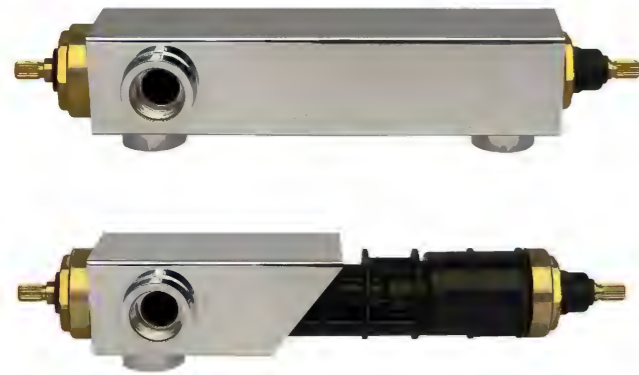
	TM-006 Standard	07TM0614		
	TM-006 Basic QB	07TM0613		
	TM-006 With Clicks		07TM0608	
	TM-006 Basic EN			07TM0607
General				
Nut torque / pich M1,5	8 - 10 Nm	8 - 10 Nm	8 - 10 Nm	8 - 10 Nm
Burst pressure	> 25 bar/min	> 35 bar/min	> 25 bar/min	> 25 bar/min
Life cycle - QB/T 5418-2019	30.000 cycles			50.000 cycles
- EN 1111			100.000 cycles	
- ASSE 1016			100.000 cycles	
Max. Hot water temperature	90 °C	90 °C	90 °C	90 °C
Max. Turn angle for Cold water	<170° angle	-	-	-
Max. Turn angle for Hot water	<80° angle	-	-	-
Max. Turn angle for stoppers	-	±170° angle	±170° angle	±170° angle
Noise level	17,8 - 20,1 dB	17,8 - 20,1 dB	17,8 - 20,1 dB	17,8 - 20,1 dB
Turn left - right	< 0,03 - 0,18 Nm	< 0,03 - 0,18 Nm	< 0,03 - 0,18 Nm	< 0,03 - 0,18 Nm
Sensitivity (36-40°C) (handler 22mm)	18 mm	27 - 31 mm	18 - 21 mm	18 - 21 mm
Water hammer test		100 cycles 8bar / 50 bar		
Cold water supply failure test	Perfect cutting	Perfect cutting	Perfect cutting	Perfect cutting
Flow rate (free)	20 l/min @ 3 bar	21 l/min @ 3 bar	20 l/min @ 3 bar	20 l/min @ 3 bar

Dimensions



TM-006 Core

Thermostatic Shower Waterway



Description

The TM006 CORE inner body is a multi-function component that makes it extremely simple to expand the range of thermostatic showers. Featuring high standard thermoplastics, the CORE is the actual faucet, making it only necessary to develop a wrapping body around it.

The TM006 CORE manages the waterways, holds the thermostatic cartridge and a secondary valve, it is the main structural component and, additionally, it can be delivered fully tested before being delivered to the manufacturer.

Certifications

KTW WRAS ACS

Advantages

Temperature control

TM006 is a thermostatic regulation system that allows the user to set and easily adjust the desired temperature of the shower, while ensuring the steadiest mixed outlet water temperature. This control of the outlet temperature also allows anantyscalding safety feature for the maximum comfort to the user.

Anti-Scalding feature

This thermostatic cartridge allows an anti-scalding safetyfeature for the maximum comfort to the user. In case of cold water supply failure, the valve automatically shutdowns the waterflow.

Burst pressure

Withstands a burst pressure up to 25bar.

Cool touch

Touching the thermostatic valve and getting scalded is a thing of the past. This solution is the easiest configuration any engineer can use to build a cool-touch on-wall thermostatic faucet, avoiding intricate and inefficient brass casting solutions.

The CORE keeps the surface of the faucet away from the hot water by design.that includes Sedal's TM001 reputed thermostatic valve, a flow-control/diverting cartridge and the nuts. All installed and tested from factory.

Lead free

Lead free and chloramine resistant options.

All in one

The TM006 CORE is an all-in-one solution that makes it easier than ever to build a new on-wall thermostatic showering system. The system is a finished assembly that includes Sedal's TM001 reputed thermostatic valve, a flow-control/diverting cartridge and the nuts. All installed and tested from factory.

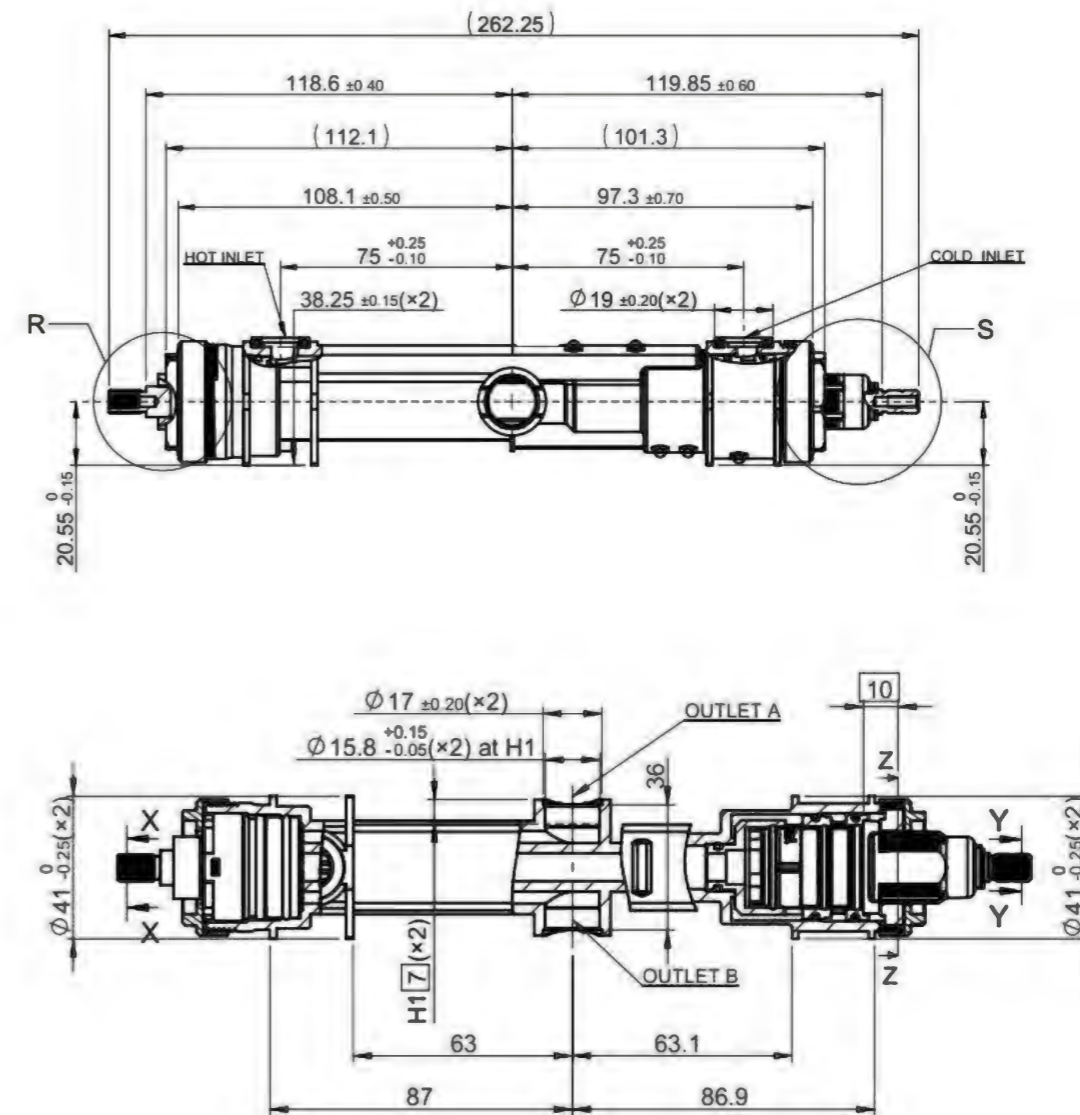
Dry-Faucet technology

The TM006 CORE handles the water in within the body and valves, never allowing it to touch the body. Therefore, any material can be used to build the external sleeve. The engineering team can freely define alternative materials like zinc or leaded brass.and the nuts. All installed and tested from factory.

Versions & technical Specifications

	TM-001 CORE	18TM06002
General		
Standards*		QB5418-2019 QB/T2806 EN1111
Burst pressure		>25 bar / 1 min
Life cycle: - EN1111 Temp control		50.000 cycles
- EN1111 Flow control		200.000 cycles
Max. hot water		90°
Max. Turn angle for Cold water		Max. 170° angle
Max. Turn angle for Hot water <49°C		Max. 80° angle
Diverter rotation angle for flow control		180° angle
Movement feeling		
Turn left-right Temp control		Max 0.35 Nm
Turn left-right flow control		0,2 - 0,35 N.m
Sensitivity (36-40°C) (handle R 25 mm)		24 mm
Cold water supply failure test		Perfect cutting
Flow rate (34-44°C) Rh A / Rh B		10,7 l/min / 13,6 at 3 bar

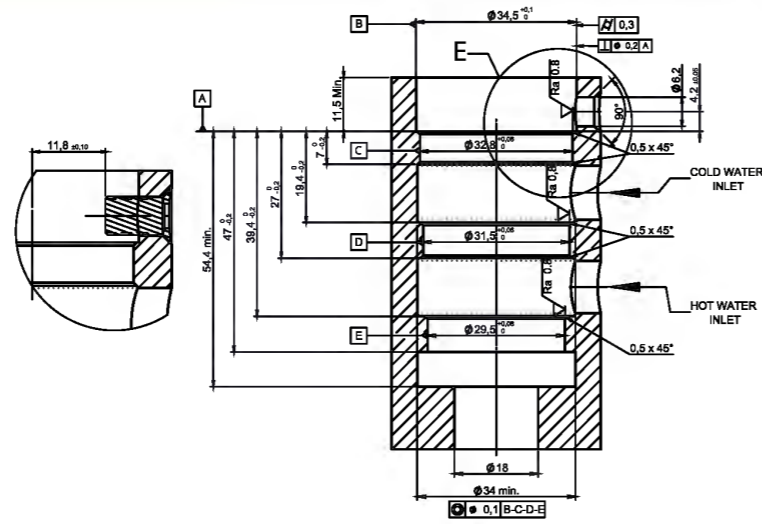
Dimensions



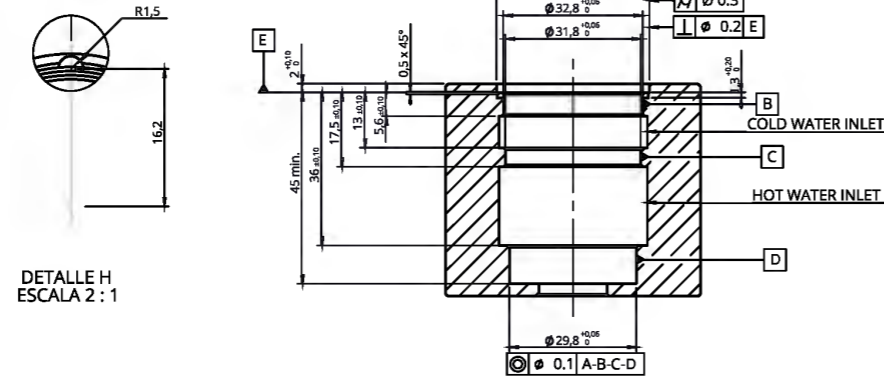
Mechanical Requirements

TM001

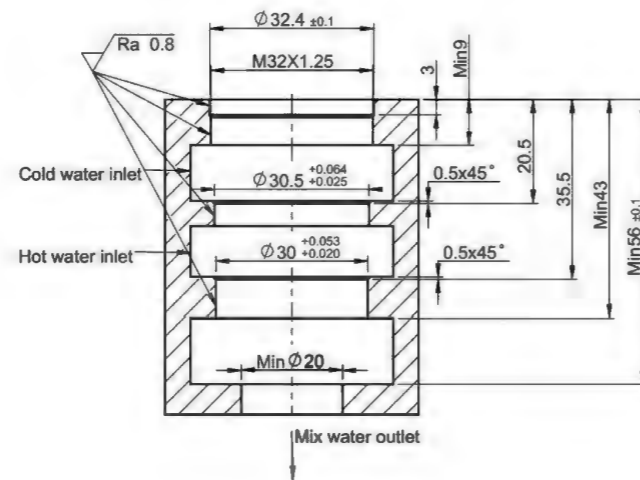
Cartridge	Reference	Pg	Machining tips
TM-001 Standard	07TM00100	143	
TM-001 BASIC 4MS (EN)	07TM0157	143	
TM-001 UBA-4MS	07TM0117	143	
TM-001 HP	07TM0102	143	
TM-001 LOW PRESSURE 4MS	07TM0131	143	
TM-001 BASIC NAT	07TM0119	143	



Cartridge	Reference	Pg	Machining tips
TM-001 C STD	07TM0112	143	
TM-001 C 4MS	07TM0121	143	

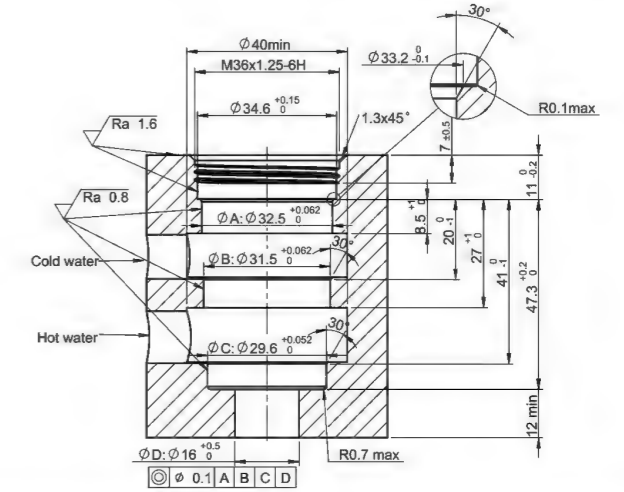


Cartridge	Reference	Pg	Machining tips
BRASS UBA-4MS	07TM0154	143	



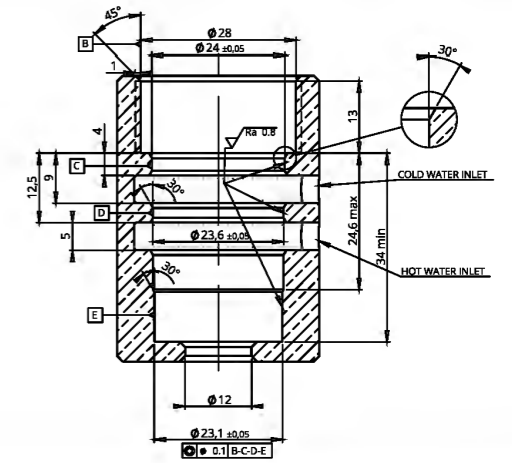
TM002

Cartridge	Reference	Pg	Machining tips
TM-002 ASSE	07TM0203	147	
TM-002 ASSE High Flow	07TM0208	147	
TM-002 EN	07TM0204	147	
TM 002 QB	07TM0205	147	
TM-002 NF C1	07TM0210	147	
TM-002 NF C3	07TM0211	147	



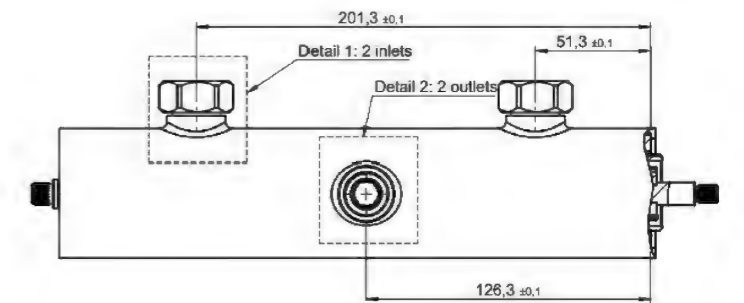
TM006

Cartridge	Reference	Pg	Machining tips
TM-006 Standard	07TM00614	149	
TM-006 With Clicks	07TM0608	149	
TM-006 Basic QB	07TM0613	149	
TM-006 Basic EN	07TM0607	149	

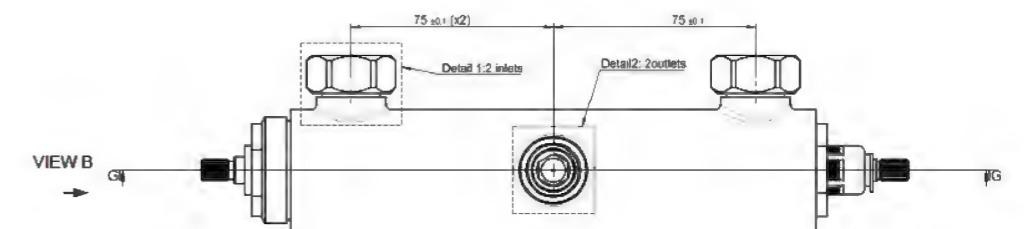


CORE

Cartridge	Reference	Pg	Machining tips
TM-001 Core	07TM00100	145	



Cartridge	Reference	Pg	Machining tips
TM-006 Core	07TM00100	151	



Headworks

Complete range of ceramic headworks made with plastic, brass or stainless steel bodies, suitable for all applications in which high performance valves are required, withstanding great technical requirements, while providing the same water flow.

We can develop any type of ceramic headworks, fully tailored to our clients design, with different finishes, sizes, lengths, maximum flows,...



MC 90° - 1/2" Right High Flow

Ceramic Headworks

19 products
3 sizes

Headworks

Ceramics

Brass



Name	Code	Page
MC 90° - 1/2" Left	19MC04	157
MC 90° - 1/2" Right	19MC01	157
MC 90° - 1/2" Left High Flow	19MC090L97	157
MC 90° - 1/2" Right High Flow	19MC090R147	157
MC 90° - 3/8" Left	19MC090L93	157
MC 90° - 3/8" Right	19MC090R137	157
MC 90° - 3/4" Left	19MC090L41	157
MC 90° - 3/4" Right	19MC090R64	157
MC 90° - M17 Left	19MC090L21	157
MC 90° - M17 Right	19MC090R30	157
MC 180° - 1/2" Left	19MC03	157
MC 180° - 1/2" Right	19MC05	157
MC 180° - 1/2" Right High Flow	19MC018R13	157

Stainless Steel



Name	Code	Page
MC 90° - 1/2" Right	19MC090R157	158
MC 90° - 1/2" Left	19MC090L104	158

Plastic



Name	Code	Page
MCP 90° - 1/2" Left	19MCP90R27	159
MCP 90° - 1/2" Right	19MCP90L20	159
MCP 180° - 1/2" Left	19MCP18L01	159
MCP 180° - 1/2" Right	19MCP18R13	159

Conventionals

Brass



Name	Code	Page
MN - 1/2" Right	19MN01	160
MN - 1/2" Right 4MS	19MN023	160

Mechanical Requirements

161

MC Brass

Ceramic



Description

Complete range of ceramic headworks with brass bodies suitable for all applications in which high performance valves are required, withstanding high mechanical requirements and providing the same water flow.

Certifications

KTW WRAS ACS

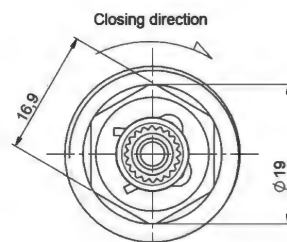
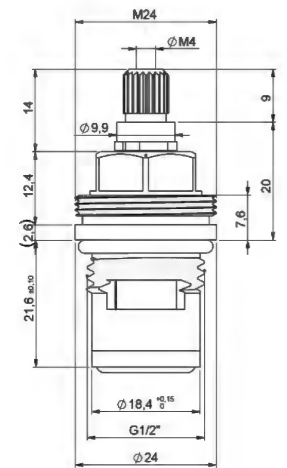
Advantages

Complete range
Complete range of ceramic and conventional headworks.

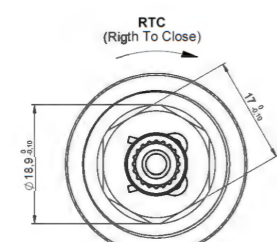
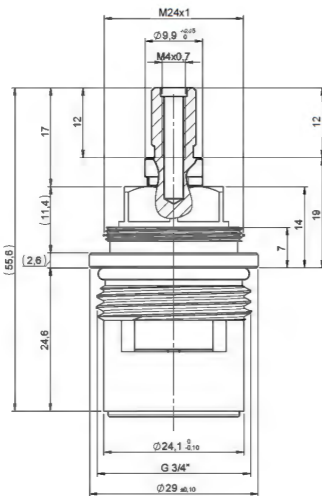
Body materials
High-resistant thermoplastics, brass and stainless steel bodies available.

Dimensions

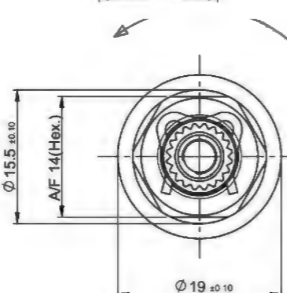
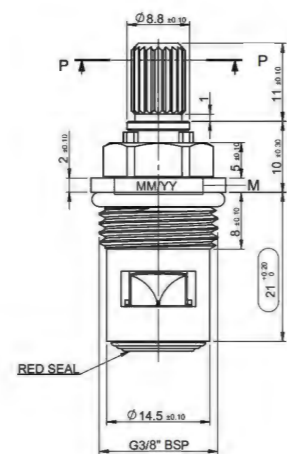
1/2"



3/4"



3/8"



Versions & technical Specifications

	MC 90° - 1/2"	19MC04 19MC01	19MC090L97 19MC090R147	19MC090L93 19MC090R137	19MC090L41 19MC090R64	19MC090L21 19MC090R30	19MC03 19MC05	19MC018R13
General								
Assembly torque	10 - 12 Nm	10 - 12 Nm	10 - 12 Nm	10 - 12 Nm	10 - 12 Nm	10 - 12 Nm	10 - 12 Nm	10 - 12 Nm
Rotation angle	90° / -90°	90° / -90°	90° / -90°	90° / -90°	90° / -90°	90° / -90°	180° / -180°	180° / -180°
Working pressure (recommended)	1 - 5 bar	1 - 5 bar	1 - 5 bar	1 - 5 bar	1 - 5 bar	1 - 5 bar	1 - 5 bar	1 - 5 bar
Pressure resistance - EN 200 - ASME A112	35 bar	>25 bar	>25 bar	35 bar	35 bar	35 bar	35 bar	35 bar
Burst pressure	> 50 bar	> 50 bar	> 50 bar	> 50 bar	> 50 bar	> 50 bar	> 50 bar	> 50 bar
Hammer Test		8 - 50 bar	8 - 50 bar					8 - 50 bar
Life cycle - EN 200 - ASME A112	200.000 cycles 500.000 cycles	500.000 cycles	500.000 cycles	200.000 cycles 500.000 cycles	200.000 cycles 500.000 cycles	200.000 cycles 500.000 cycles	200.000 cycles 500.000 cycles	500.000 cycles 500.000 cycles
Max. hot water	90 °C	90 °C	90 °C	90 °C	90 °C	90 °C	90 °C	90 °C
Fow rate @ 3 bar (free flow)	23,9 l/min	56,5 l/min	27,3 l/min	25,9 l/min	23,9 l/min	17,6 l/min		DN8: 21,8 l/min DN13: 39,2 l/min
Turn left - right	0,1 - 0,2 Nm	< 0,1 Nm	< 0,1 Nm	0,1 - 0,2 Nm	0,1 - 0,2 Nm	0,1 - 0,2 Nm	0,1 - 0,2 Nm	0,1 - 0,2 Nm
Material	Brass	Brass	Brass	Brass	Brass	Brass	Brass	Brass
Diameter	1/2	1/2	3/8	3/4	M17	1/2		1/2

MC Stainless Steel

Ceramic



Description

Range of ceramic headworks with Stainless Steel bodies suitable for all applications in which high performance valves are required, withstanding high mechanical requirements and providing the same water flow.

Certifications

KTW WRAS ACS

Versions & technical Specifications

	MC 90° - 1/2"	19MC090R157 19MC090L104
General		
Assembly torque		10 - 12 Nm
Rotation angle		90° / -90°
Working pressure (recommended)		1 - 5 bar
Pressure resistance ASME A112		35 bar
Burst pressure		> 50 bar
Life cycle - EN 200		200.000 cycles
- ASME A112		500.000 cycles
Max. hot water		90 °C
Fow rate @ 3 bar (free flow)		23,9 l/min
Turn left - right		0,1 - 0,2 Nm
Material		Stainless Steel
Diameter		1/2

Advantages

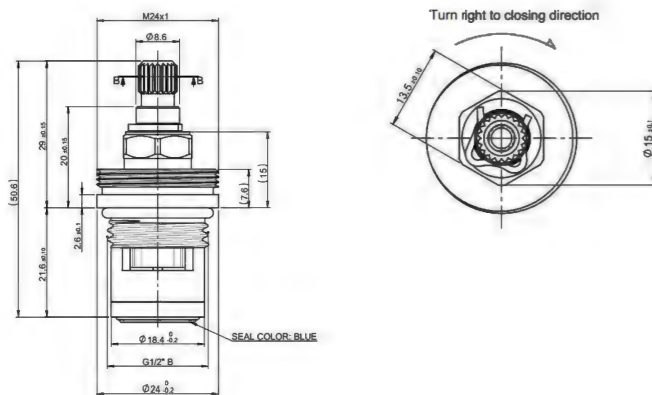
Complete range
Complete range of ceramic and conventional headworks.

Body materials
High-resistant thermoplastics, brass and stainless steel bodies available.

OEM customization
Sedal offers to the manufacturer the possibility of designing and producing OEM headworks that meet his specific requirements and needs.

Different shafts lenght
Sedal offers a wide range of shafts length that the client can customize depending on ots needs. It is also possible to design other shaft geometries.

Dimensions



MC Plastic

Ceramic



Description

Range of ceramic headworks with Plastic bodies suitable for all applications in which high performance valves are required, withstanding high mechanical requirements and providing the same water flow.

Certifications

KTW WRAS ACS

Versions & technical Specifications

	MC 90° - 1/2"	19MCP90R27 19MCP90L20	19MCP18L01 19MCP18R13
General			
Assembly torque		8 - 10 Nm	8 - 10 Nm
Rotation angle		90° / -90°	180° / -180°
Working pressure (recommended)		1 - 5 bar	1 - 5 bar
Pressure resistance ASME A112		35 bar	35 bar
Burst pressure		> 50 bar	> 50 bar
Life cycle - EN 200		200.000 cycles	200.000 cycles
- ASME A112		500.000 cycles	500.000 cycles
Max. hot water		90 °C	90 °C
Fow rate @ 3 bar (free flow)		22,4 l/min	23,3 l/min
Turn left - right		0,1 - 0,2 Nm	0,1 - 0,2 Nm
Material		Plastic	Plastic
Diameter		1/2	1/2

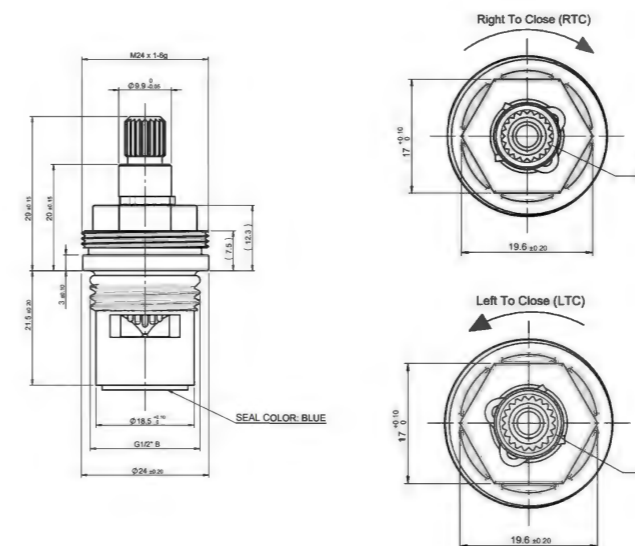
Advantages

Complete range
Complete range of ceramic and conventional headworks.

OEM customization
Sedal offers to the manufacturer the possibility of designing and producing OEM headworks that meet his specific requirements and needs.

Lead free
Chloramine resistant lead free brass body and stem options. Plastic versions are suitable for low-lead applications.

Dimensions



MN Brass

Conventional



Description

Conventional headworks with brass bodies suitable for all applications in which high performance valves are required, withstanding great mechanical requirements and providing the same water flow.

Certifications

KTW WRAS ACS

Versions & technical Specifications

MN - 1/2" Right	19MN01
MN - 1/2" Right 4MS	19MN023

General	
Assembly torque	10 - 12 Nm
Working pressure (recommended)	1 - 5 bar
Pressure resistance ASME A112	35 bar
Burst pressure	> 50 bar
Life cycle - EN 200	200.000 cycles
- ASME A112	500.000 cycles
Max. hot water	90 °C
Fow rate @ 3 bar (free flow)	29 l/min
Turn left - right	0,1 - 0,2 Nm
Material	Brass
Diameter	1/2

Advantages

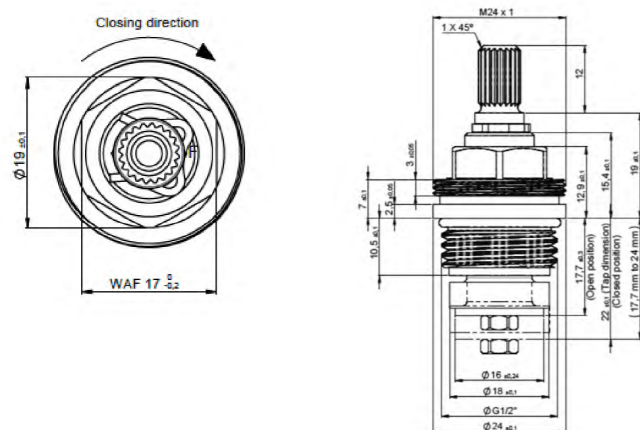
OEM customization

Sedal offers to the manufacturer the possibility of designing and producing OEM headworks that meet his specific requirements and needs.

Different shafts lenght

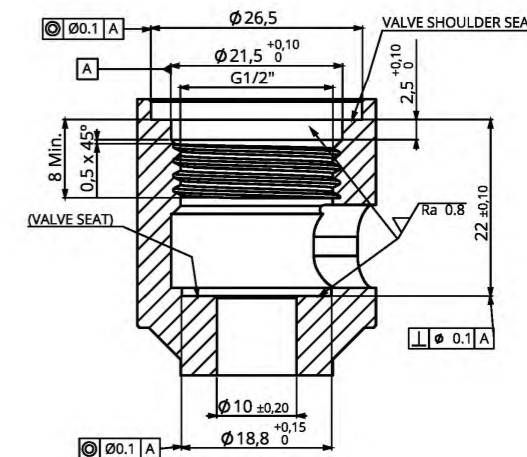
Sedal offers a wide range of shafts length that the client can customize depending on ots needs. It is also possible to design other shaft geometries.

Dimensions

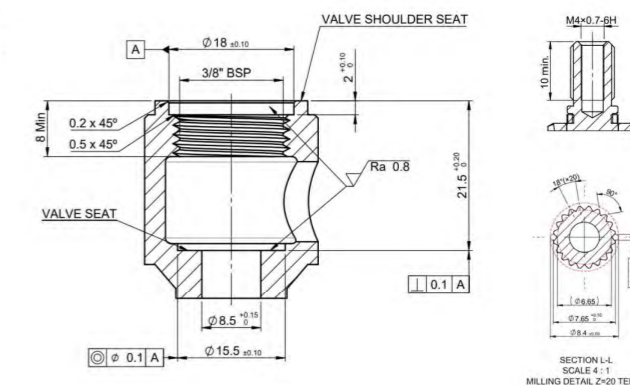


Mechanical Requirements

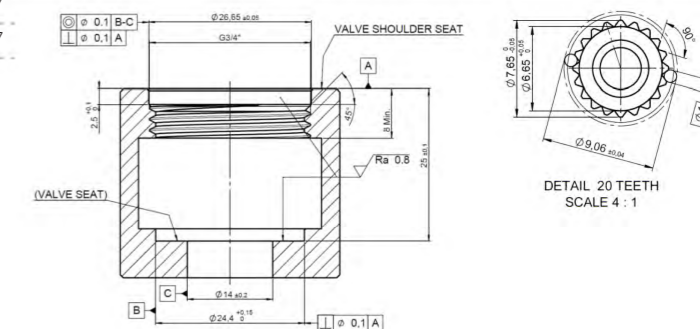
Cartridge	Reference	Pg	Machining tips
MC 90° - 1/2" Left	19MC04	157	
MC 90° - 1/2" Right	19MC01	157	
MC 90° - 1/2" Left High Flow	19MC090L97	157	
MC 90° - 1/2" Right High Flow	19MC090R147	157	
MC 180° - 1/2" Right	19MC05	157	
MC 180° - 1/2" Right High Flow	19MC018R13	157	
MC 90° - 1/2" Right	19MC090R157	158	
MC 90° - 1/2" Left	19MC090L104	158	
MCP 90° - 1/2" Left	19MCP90R27	159	
MCP 90° - 1/2" Right	19MCP90L20	159	
MCP 180° - 1/2" Left	19MCP18L01	159	
MCP 180° - 1/2" Right	19MCP18R13	159	
MC 90° - M17 Left	19MC090L21	157	
MC 90° - M17 Right	19MC090R30	157	
MC 180° - 1/2" Left	19MC03	157	



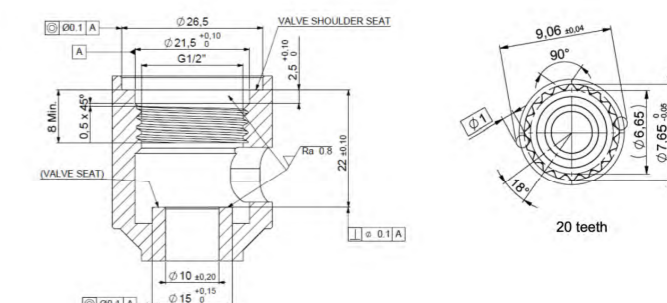
Cartridge	Reference	Pg	Machining tips
MC 90° - 3/8" Left	19MC090L93	157	
MC 90° - 3/8" Right	19MC090R137	157	



Cartridge	Reference	Pg	Machining tips
MC 90° - 3/4" Left	19MC090L41	157	
MC 90° - 3/4" Right	19MC090R64	157	



Cartridge	Reference	Pg	Machining tips
MN - 1/2" Right	19MN01	160	
MN - 1/2" Right 4MS	19MN023	160	



Diverters

Sedal's range of shower diverters includes automatic return diverters, as well as multiway diverters with 2, 3, & 4 outlets. Most of them are available in 90°, 180°, and 360° options, and they are typically equipped with a metal lever.

Additional features such as clicks, off position, or simultaneous outlets are also available as options.

Furthermore, we have extended our range by incorporating different materials, such as plastic and brass.



Multiway diverter 40 mm

Multiway & automatic return Diverter

9 products
3 categories

Diverter

Multiway Standard

GD-25 2 outlets



Name	Code	Page
GD-25 90° M4	08GD25S0003	165
GD-25 Brass 180° Left	08GD25S0008	165

GD-35 2 outlets



Name	Code	Page
GD-35 C/D	08GD35LBE00	167
GD-35 S/D	08GD35FBE00	167

Multiway Upper Sealing

GD-35 2 outlets



Name	Code	Page
GD-35 180° 1 Click	08GD35S0030	169
GD-35 Brass 90°	08GD35S0029	169
GD-35 Brass 180° 1 Click N	08GD35S0028	169

GD-35 3 outlets



Name	Code	Page
GD-35 Brass 360° 6 Clicks	08GD35S0019	171
GD-35 Brass 360° 6 Clicks N	08GD35S0020	171
GD-35 Brass 360° 1 Clicks N	08GD35S0021	171
GD-35 Brass 360° 1 Clicks	08GD35S0022	171
GD-35 Brass 360° 6 Clicks N	08GD35S0033	171

GD4-35 y 40 4 outlets



Name	Code	Page
GD4-35	08GD35S0001	173
GD4-40	08GD40S0001	173

Automatic Return

Automatic Return



Name	Code	Page
Compact	09CKCR00	175
Compact with Check Valve	09CKCR10	175
Sedal	09CKCR01	175
USA	09TUCR00	175

Mechanical Requirements

177

GD-25 2 Outlets

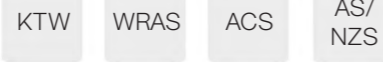
Multiway Standard & Upper Sealing



Description

Complete range of ceramic headworks with brass bodies suitable for all applications in which high performance valves are required, withstanding high mechanical requirements and providing the same water flow.

Certifications



Advantages

Complete range
Complete range of ceramic and conventional headworks.

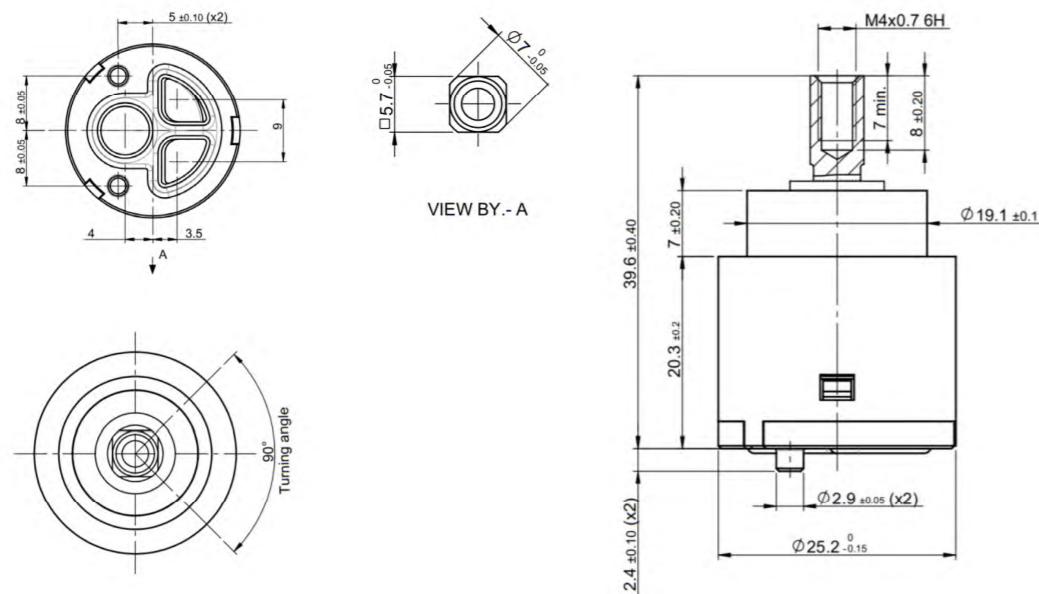
Body materials
High-resistant thermoplastics, brass and stainless steel bodies available.

OEM customization
Sedal offers to the manufacturer the possibility of designing and producing OEM headworks that meet his specific requirements and needs.

Different shafts length
Sedal offers a wide range of shafts length that the client can customize depending on its needs. It is also possible to design other shaft geometries.

Dimensions

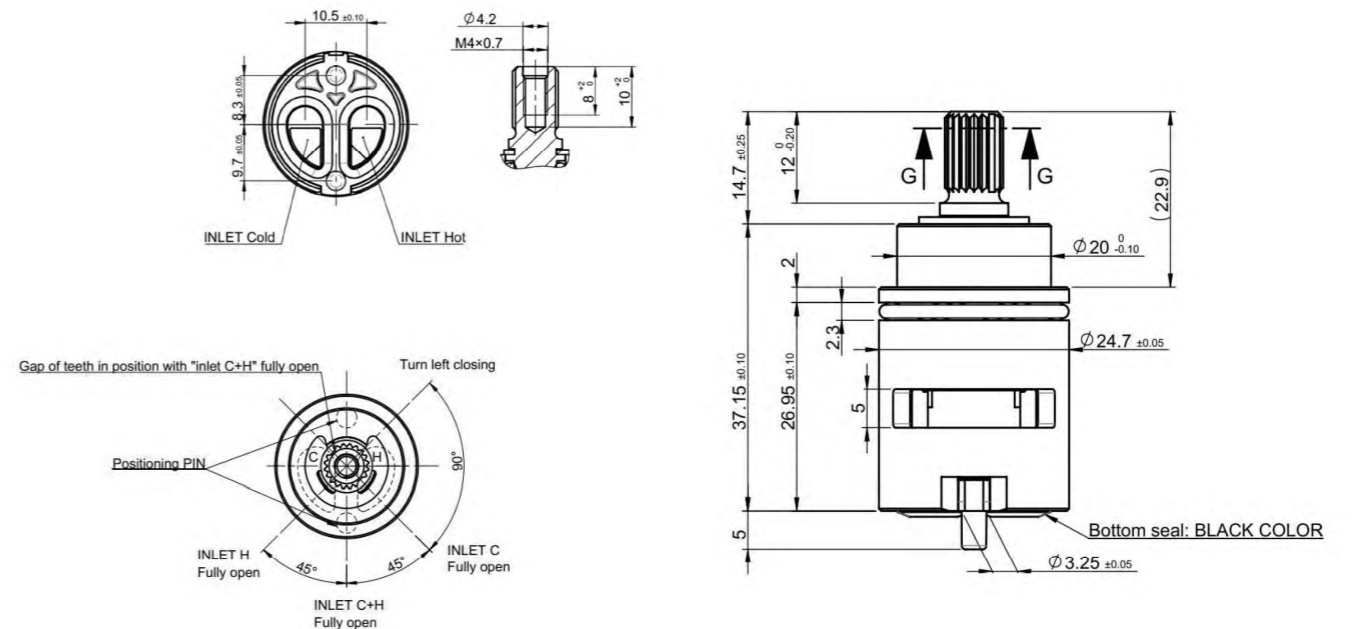
GD-25 90° M4



Versions & technical Specifications

	GD-25 90° M4	08GD25S0003
	GD-25 Brass 180° Left	08GD25S0008
General		
Prescribed tightening torque ⁽¹⁾	7 - 8 Nm	10 - 12
Rotation angle	90°	180°
Working pressure (recommended)	1 - 5 bar	1 - 5 bar
Burst pressure	> 35 bar	> 35 bar
Life cycle EN-817: - Diverter	30.000 cycles	200.000 cycles
- Mixing valve	70.000 cycles	
Max. hot water	90°C	90°C
Material	Plastic	Brass
Diameter	25 mm	25 mm
Flow Rate @ 3 bar (DN8)		
Flow rate as a diverter	16,2 l/min	19,9 l/min
Flow rate as a mixer valve	18,2 l/min	
Operation torque without water pressure		
Turn left - right	0,2- 0,4 Nm	

GD-25 Brass 180° Left



GD-35 2 Outlets

Multiway Standard



Description

The GD35 diverter from Sedal is a high end 35mm valve that provides smooth operation along with a defined feeling of safety and precision thanks to the metallic lever and a high precision ceramic set. The operation torque has been improved while keeping a small footprint. Works perfectly paired with our TM001 Thermostatic cartridge for showers.

Certifications

KTW WRAS ACS AS/NZS

Advantages

Customizable

Customizable number and outlet combinations for different applications, and customizable stops.

Surpasses Conventional Durability Standards

Extended life time thanks to a high grade ceramic set made in our Technical Ceramics facilities. The metal lever improves the user perception of quality and precision in a small cartridge.

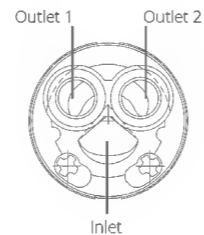
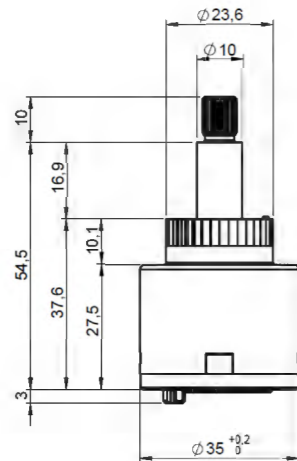
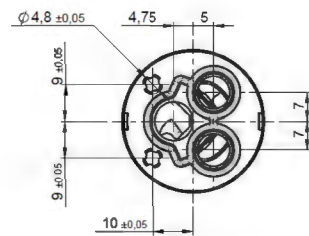
Mechanical Strength

Increased mechanical strength and robustness for a long life expectancy keeping the user experience at the highest standards.

Diverter functionality

This cartridge fits specially good in bath showers because allows to have two different outlets while keeping slim designs. Mixed water enters inlet 3 and exits either outlet 1 or 2.

Dimensions



Versions & technical Specifications

	GD-35 C/D	08GD35LBE00
	GD-35 S/D	08GD35FBE00
General		
Prescribed tightening torque ⁽¹⁾	10 - 12 Nm	10 - 12 Nm
Rotation angle	180°	180°
Working pressure (recommended)	1 - 5 bar	1 - 5 bar
Burst pressure	30 - 35 bar	30 - 35 bar
Life cycle: - EN 817	70.000 cycles	70.000 cycles
- ASME 112.18.1 M	500.000 cycles	500.000 cycles
Max. hot water	90°C	90°C
Material	Plastic	Plastic
Diameter	35 mm	35 mm
Flow Rate @ 3 bar		
Flow rate	24,5 l/min	21,9 l/min
C-Restrictor	19 l/min	17,5 l/min
Operation torque without water pressure		
Turn left - right	0,2- 0,25 Nm	0,22- 0,25 Nm

GD-35 2 Outlets

Multiway Upper Sealing



Description

Brass diverters from SEDAL are Premium diverters for showering systems that require extremely reliable and robust solutions with a competitive cost. The definition of the stops and the smoothness of operation make this cartridge a great choice to elevate the quality perception of the shower for the end user, while providing safety and peace of mind to installers. Pairs with our standard or OEM thermostatic cartridges for a superior showering experience.

Versions & technical Specifications

GD-35 180° 1 Click	08GD35S0030
GD-35 Brass 90°	08GD35S0029
GD-35 Brass 180° 1 Click N	08GD35S0028

General			
Prescribed tightening torque ⁽¹⁾	10 - 12 Nm	10 - 12 Nm	10 - 12 Nm
Rotation angle	180°	90°	180°
Revolving	A ⇄ OFF ⇄ B	A & B ⇄ OFF	A ⇄ OFF ⇄ B
Working pressure (recommended)	1 - 5 bar	1 - 5 bar	1 - 5 bar
Burst pressure	> 35 bar	> 35 bar	> 35 bar
Life cycle:- EN 817	30.000 cycles	30.000 cycles	30.000 cycles
- ASME 112.18.1 M	15.000 cycles	15.000 cycles	15.000 cycles
Max. hot water	90°C	90°C	90°C
Material	Plastic	Brass	Brass
Diameter	35 mm	35 mm	35 mm
Flow Rate @ 3 bar			
Flow rate	24,9 l/min	28,3 l/min	24,9 l/min
Operation torque without water pressure			
Turn left - right	0,1- 0,25 Nm	0,1- 0,25 Nm	0,1- 0,25 Nm
Click	0,3 - 0,45 Nm	No	0,3 - 0,45 Nm

Advantages

Mechanical strenght

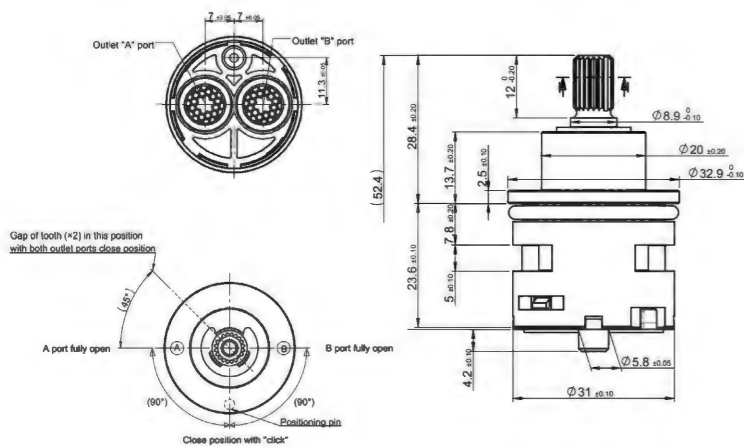
Increased mechanical strength and robustness for a long life expectancy keeping the user experience at the highest standards.

OEM customization

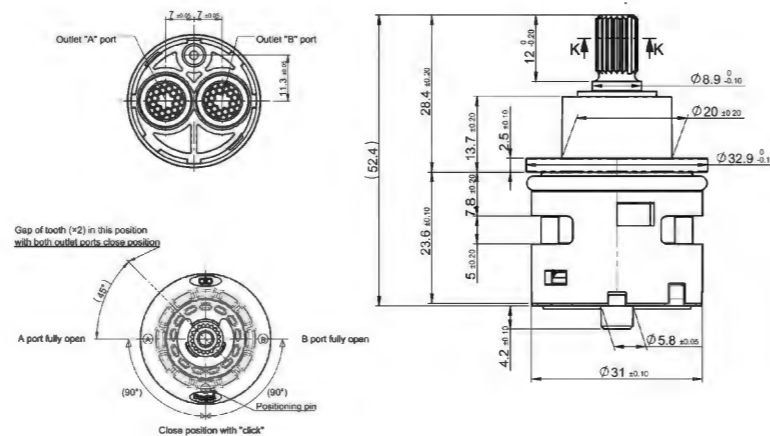
Sedal offers to the manufacturer the possibility of designing and producing OEM headworks that meet his specific requirements and needs.

Dimensions

GD-35 Brass



GD-35 Plastic



GD-35 3 Outlets

Multiway Standard



Description

Brass diverters from SEDAL are Premium diverters for showering systems that require extremely reliable and robust solutions with a competitive cost. The definition of the stops and the smoothness of operation make this cartridge a great choice to elevate the quality perception of the shower for the end user, while providing safety and peace of mind to installers.

Pairs with our standard or OEM thermostatic cartridges for a superior showering experience.

Certifications

KTW WRAS ACS

OEM customization

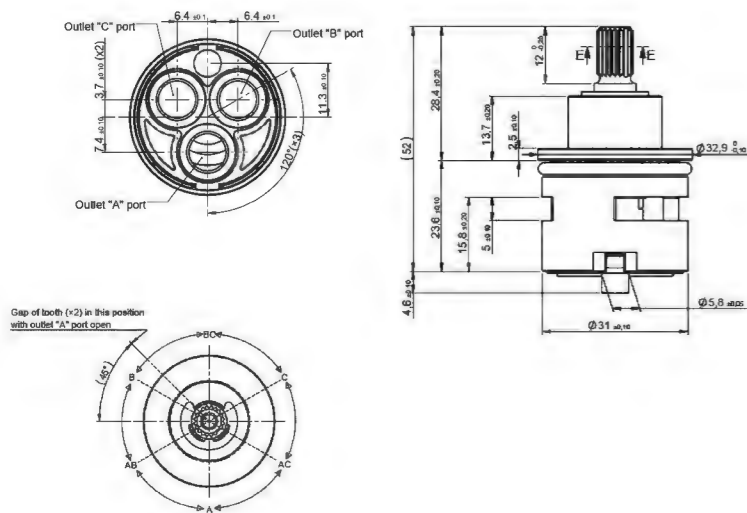
Sedal offers to the manufacturer the possibility of designing and producing OEM headworks that meet his specific requirements and needs.

Advantages

Mechanical strenght

Increased mechanical strength and robustness for a long life expectancy keeping the user experience at the highest standards.

Dimensions



Versions & technical Specifications

GD-35 Brass 360° 6 Clicks	08GD35S0019
GD-35 Brass 360° 6 Clicks N	08GD25S0008
GD-35 Brass 360° 1 Clicks N	08GD35S0021
GD-35 Brass 360° 1 Clicks	08GD35S0022
GD-35 Brass 360° 6 Clicks N	08GD35S0033

General					
Prescribed tightening torque ⁽¹⁾	10 - 12 Nm	10 - 12 Nm	10 - 12 Nm	10 - 12 Nm	10 - 12 Nm
Rotation angle	360°	360°	180°	180°	360°
Share	Yes	No	No	Yes	No
Working pressure (recommended)	1 - 5 bar	1 - 5 bar	1 - 5 bar	1 - 5 bar	1 - 5 bar
Burst pressure	> 35 bar	> 35 bar	> 35 bar	> 35 bar	> 35 bar
Life cycle: - EN 817	30.000 cycles	30.000 cycles	30.000 cycles	30.000 cycles	30.000 cycles
- ASME 112.18.1 M	15.000 cycles	15.000 cycles	15.000 cycles	15.000 cycles	15.000 cycles
Max. hot water	90°C	90°C	90°C	90°C	90°C
Material	Brass	Brass	Brass	Brass	Brass
Diameter	35 mm	35 mm	35 mm	35 mm	35 mm
Flow Rate @ 3 bar					
Flow rate	26,3 l/min	26,4 l/min	26,4 l/min	26,4 l/min	26,4 l/min
Operation torque without water pressure					
Turn left - right	0,1 - 0,25 Nm	0,1 - 0,25 Nm	0,1 - 0,25 Nm	0,1 - 0,25 Nm	0,1 - 0,25 Nm
Click	0,3 - 0,45 Nm	0,3 - 0,45 Nm	0,3 - 0,45 Nm	0,3 - 0,45 Nm	0,3 - 0,45 Nm

GD4-35 & 40 4 Outlets

Multiway Standard



Description

The GD4-35 diverter from Sedal is a high end 35mm valve with four outlets that provides smooth operation along with a defined feeling of safety and precision thanks to the metallic lever and a high precision ceramic set. The operation torque has been improved while keeping a small footprint. Works perfectly paired with our TM001 Thermostatic cartridge for showers.

Certifications

- KTW
- AS/NZS
- ACS
- NSF

Advantages

Surpasses conventional durability standards

Extended life time thanks to a high grade ceramic set made in our Technical Ceramics facilities. The metal shaft improves the user perception of quality and precision in a small cartridge.

Higher flow rate

The GD-35 4 has a high flow rate @3 bar, allowing to build body showers with 4 outlets providing a positive user experience while assuring an ecologic water consumption.

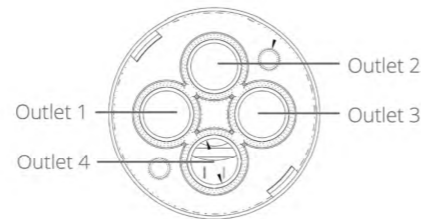
3 Different shaft lengths available

The GD-35 4 is available with three different shaft lengths to fulfill any manufacturer requirements:

- 52,2 mm
- 64,8 mm
- 80,5 mm

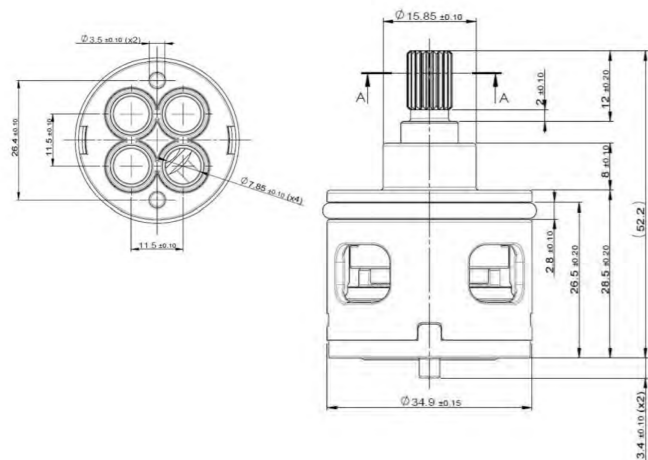
Diverter functionality

This cartridge fits specially good in bath showers because allows to have four different outlets. Mixed water enters inlet on the side and exits either outlet 1, 2, 3 or 4.

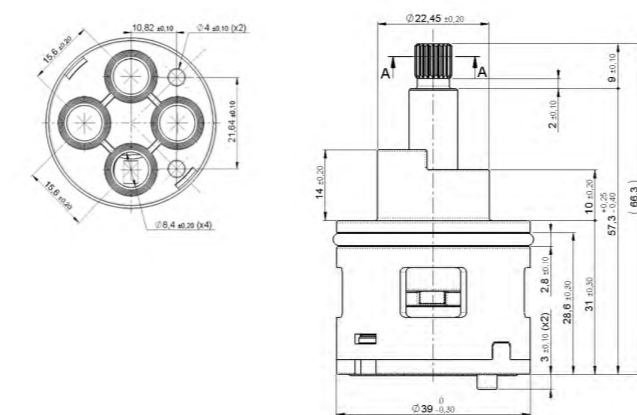


Dimensions

GD4-35



GD4-40



Versions & technical Specifications

	GD4-35	08GD35S0001
	GD4-40	08GD40S0001
General		
Prescribed tightening torque ⁽¹⁾	10 - 12 Nm	10 - 12 Nm
Angle between positions	90° (4 positions)	90° (4 positions)
Rotation angle	360° (full rotation)	360° (full rotation)
Working pressure (recommended)	1 - 5 bar	1 - 5 bar
Burst pressure	> 35 bar	> 35 bar
Life cycle: - NF 077	30.000 cycles	30.000 cycles
- EN 817	30.000 cycles	30.000 cycles
Max. hot water	90°C	90°C
Material	Plastic	Plastic
Diameter	35 mm	40 mm
Flow Rate @ 3 bar		
Flow rate	26,5 l/min	28,9 l/min
A-Restrictor	15,5 l/min	17,3 l/min
Operation torque without water pressure		
Turn left - right	0,15- 0,4 Nm	0,15- 0,45 Nm
Positioning click	0,35 - 0,6 Nm	0,35 - 0,6 Nm

Automatic Return

Automatic Return



Description

Complete range of ceramic headworks with brass bodies suitable for all applications in which high performance valves are required, withstanding high mechanical requirements and providing the same water flow.

Certifications

KTW WRAS ACS

Advantages

Body materials

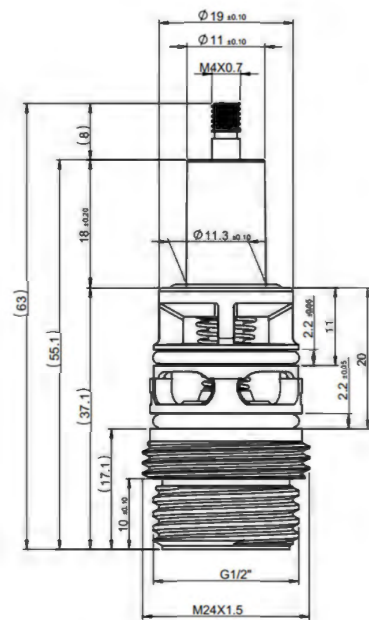
High-resistant thermoplastics, brass and stainless steel bodies available.

OEM customization

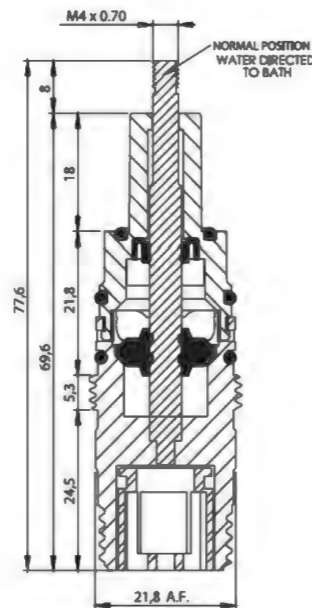
Sedal offers to the manufacturer the possibility of designing and producing OEM headworks that meet his specific requirements and needs.

Dimensions

Compact



Compact With Check Valve

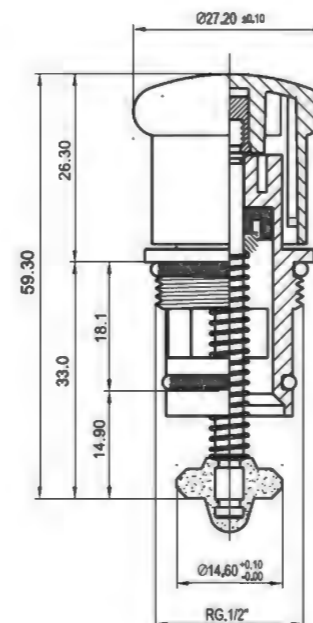


Versions & technical Specifications

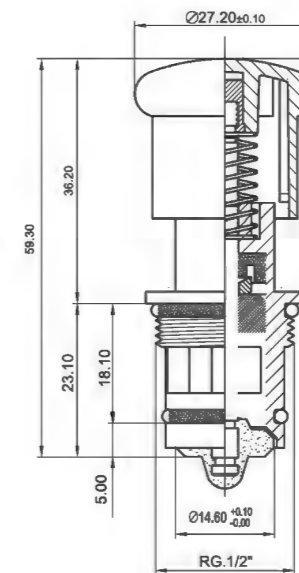
Compact	09CKCR00
Compact with Check Valve	09CKCR10
Sedal	09SGCR01
USA	09TUCR00

General		
Operative	Manual & Automatic	Manual & Automatic
Torque	5 - 6 Nm	5 - 8 Nm
Pressure resistance	Max 8,6 bar	Max 12 bar
Working pressure	0,5 - 4 bar	12 bar
Max. temperature	90 °C	90 °C
Endurance test	> 30.000 cycles	> 30.000 cycles
Actuation force	1,3 bar - ≤ 22 N	3 bar - ≤ 45 N

Sedal



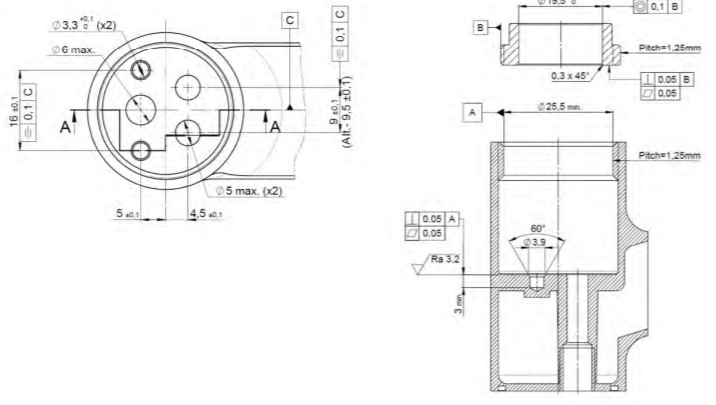
USA



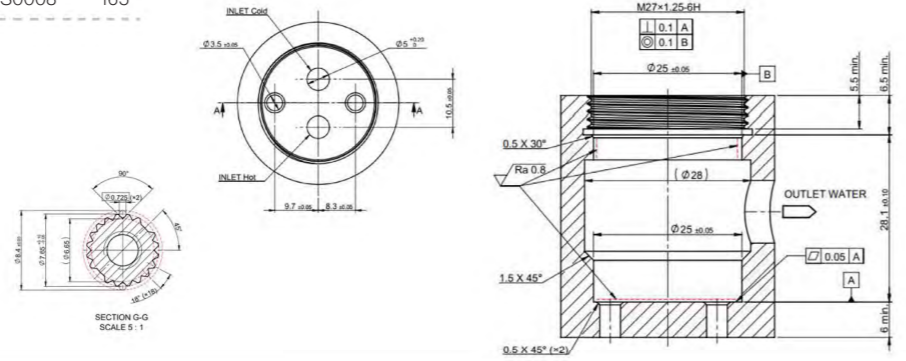
Machining Requirements

Multiways

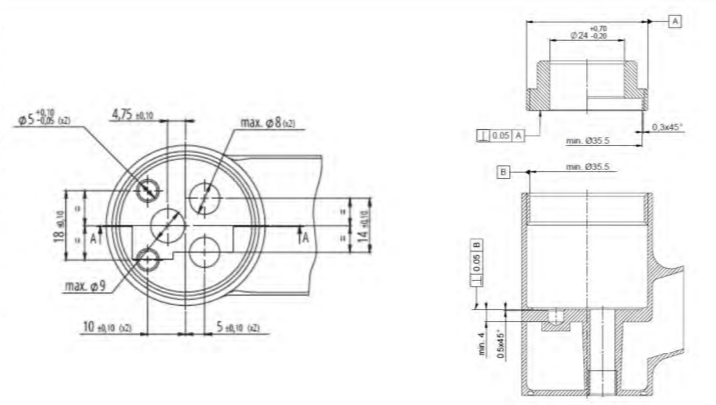
Cartridge	Reference	Pg	Machining tips
GD-25 90° M4	08GD25S0003	165	



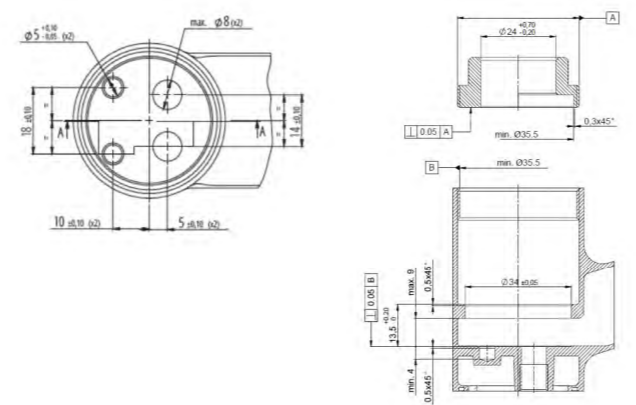
Cartridge	Reference	Pg	Machining tips
GD-25 Brass 180° Left	08GD25S0008	165	



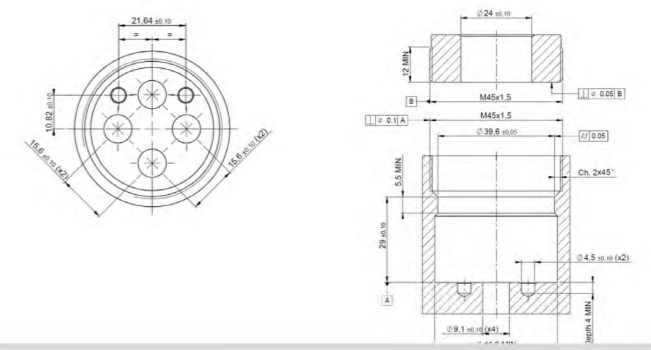
Cartridge	Reference	Pg	Machining tips
GD-35 S/D	08GD35FBE00	167	
GD-35 180° 1 Click	08GD35S0030	169	
GD-35 Brass 90°	08GD35S0029	169	
GD-35 Brass 180° 1 Click N	08GD35S0028	169	
GD-35 Brass 360° 6 Clicks	08GD35S0019	171	
GD-35 Brass 360° 6 Clicks N	08GD35S0020	171	
GD-35 Brass 360° 1 Clicks N	08GD35S0021	171	
GD-35 Brass 360° 1 Clicks	08GD35S0022	171	
GD-35 Brass 360° 6 Clicks N	08GD35S0033	171	



Cartridge	Reference	Pg	Machining tips
GD-35 C/D	08GD35LBE00	167	

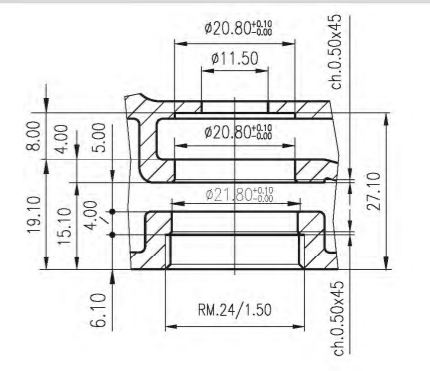


Cartridge	Reference	Pg	Machining tips
GD4-35	08GD35S0001	173	
GD4-40	08GD40S0001	173	

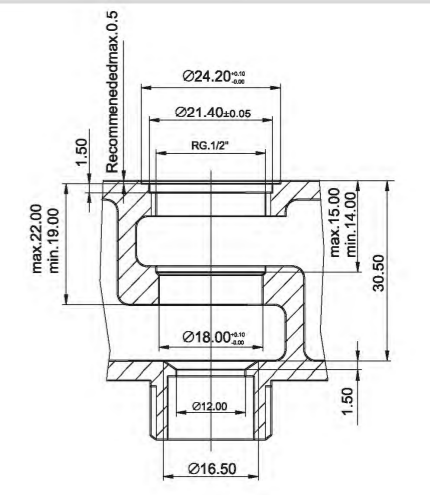


Automatic return

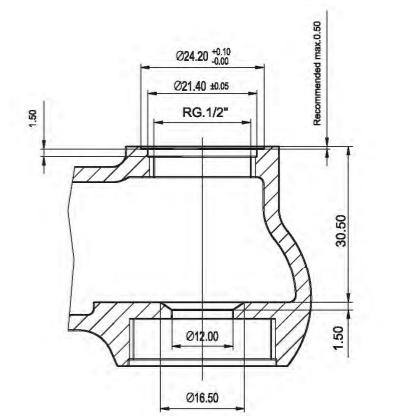
Cartridge	Reference	Pg	Machining tips
Compact	09CKCR00	175	
Compact with Check Valve	09CKCR10	175	



Cartridge	Reference	Pg	Machining tips
Sedal	09CKCR01	175	



Cartridge	Reference	Pg	Machining tips
USA	09TUCR00	175	



Metering Valves

Sedal's range of self-closing valves is designed to ensure water efficiency and durability, making them ideal for public venues, gyms, and other public applications.

Our portfolio includes push-button and sensor-activated models (you can find them in the Digital Systems section), all engineered for smooth operation and reliable automatic shut-off.

Valves are available in various configurations, with adjustable flow time, and are suitable for both cold and mixed water applications, and are designed to meet international standards.



Adjustable Metering Valve for basin applications

Metering Valves

10 products
2 categories

Metering Valves

M26



Name	Code	Page
Urinal M26 Blue	19MTU0C06	180
Urinal M26	19MTU0C07	180
Urinal M26 Blue	19MTB0C06	180
Basin M26 Red	19MTB0H06	180

M28



Name	Code	Page
Urinal M28 Blue	19MTU0C05	181
Basin M28 Blue	19MTB0C05	181
Basin M28 Red	19MTB0H05	181
Adjustable M28 Blue	19MTA0C05	181
Adjustable M28 Red	19MTA0H05	181

M37



Name	Code	Page
Shower M37 Red	19MTS0H02	182

Mechanical Requirements	183
-------------------------	-----

M26

Urinal & basin



Description

Metering valves are automatic shut-off valves for public venues ensuring water saving. This new design of M26 metering valves are specially designed for public urinals and basins.

Advantages

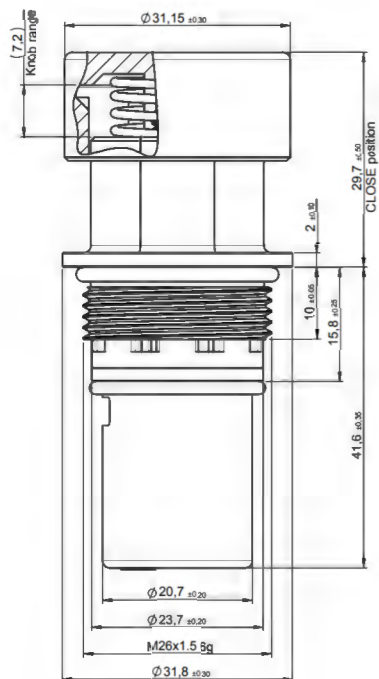
Self cleaning system

Designed to self clean the calibrated components on every push.

Customizable knob

Alternative knob designs available.

Dimensions



Versions & technical Specifications

Urinal M26 Blue	19MTU0C06
Basin M26 Blue	19MTB0C06
Basin M26 Red	19MTB0H06
Urinal M26	19MTU0C07

General		
Tightening torque	7 - 8 Nm	7 - 8 Nm
Working pressure	1 - 5 bar	1 - 5 bar
Pressure resistance	> 25 bar	> 25 bar
Life cycle - EN 816	210.000 cycles	210.000 cycles
- EN 12541	70.000 cycles	70.000 cycles
Max. hot water	90 °C	90 °C
Fow rate @ 3 bar		
Free flow	14,8 l/min	14,8 l/min
A - Restrictor	10,2 l/min	10,2 l/min
Hydraulic parameters @ 3 bar		
Duration of flow after 500 cycles	7 ± 3 s	3 ± 1 s
Volume per cycle (water saving)	< 0,7 l	Class 1,5

M28

Urinal & basin



Description

Metering valves are automatic shut-off valves for public venues ensuring water saving. This new design of M28 metering valves are specially designed for public urinals and basins.

Advantages

Self cleaning system

Designed to self clean the calibrated components on every push.

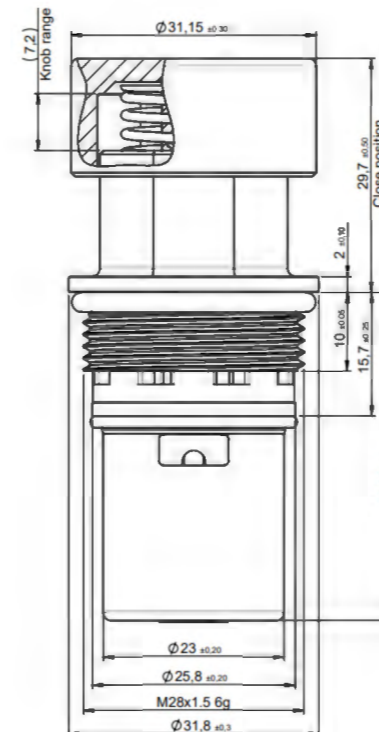
Customizable knob

Alternative knob designs available.

Adjustable option

Variant with turning ring to adjust flush time.

Dimensions



Versions & technical Specifications

Urinal M28 Blue	19MTU0C05
Basin M28 Blue	19MTB0C05
Basin M28 Red	19MTB0H05
Adjustable M28 Blue	19MTA0C05
Adjustable M28 Red	19MTA0H05

General		
Tightening torque	7 - 8 bar	7 - 8 bar
Pressure resistance	> 25 bar	> 25 bar
Life cycle - EN 816	210.000 cycles	210.000 cycles
Max. hot water	90 °C	90 °C
Fow rate @ 3 bar		
Free flow (DN13)	17 l/min	17 l/min
C - Restrictor (DN13)	14,5 l/min	14,5 l/min
Discharge volume class EN 12541 ⁽¹⁾	1,5 l	1,5 l
Duration of flow at 3 bar (1)	3 ± 1 s	15 ± 5

M37

Showers



Description

Metering valves are automatic shut-off valves for public venues ensuring water saving. This new design of M37 metering valves are specially designed for showers.

Advantages

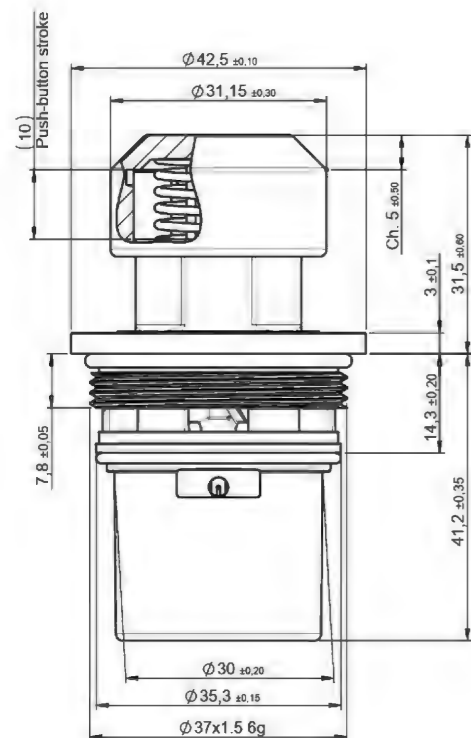
Self cleaning system

Designed to self clean the calibrated components on every push.

Customizable knob

Alternative knob designs available.

Dimensions



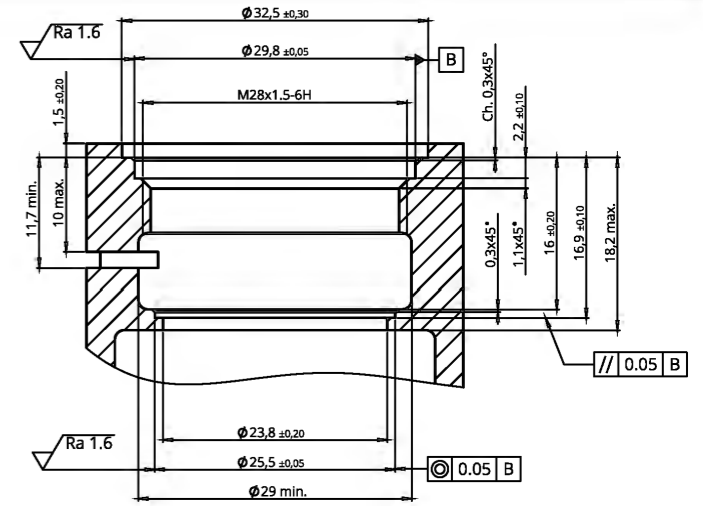
Versions & technical Specifications

Shower M37 Red		19MTSOH02
General		
Tightening torque		7 - 8 Nm
Working pressure		1 - 5 bar
Flow duration after 500 cycles EN -816		20 - 30 s bar
Operation force EN-816		< 65 N
Burst pressure		> 25 bar
Life cycle - EN 816		210.000 cycles
Max. hot water		90 °C
Noise acc. EN 816 (shower class B)		Acoustic Group I <20 dB
Flow rate @ 3 bar		
Free flow		36,7 l/min

Machining Requirements

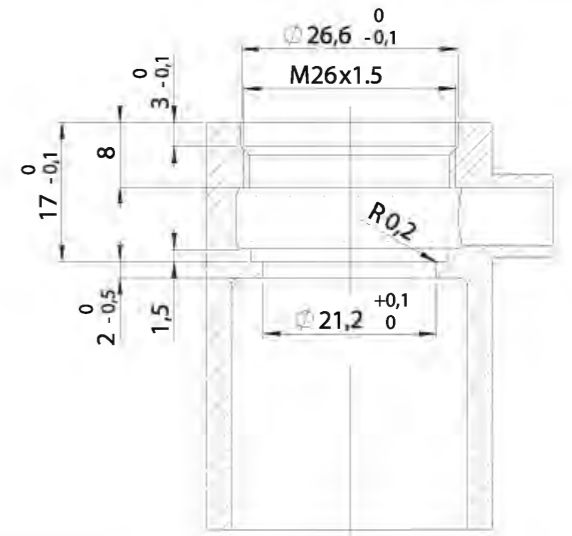
M26

Cartridge	Reference	Pg	Machining tips
Urinal M26 Blue	19MTU0C06	180	
Urinal M26	19MTU0C07	180	
Urinal M26 Blue	19MTB0C06	180	
Basin M26 Red	19MTB0H06	180	



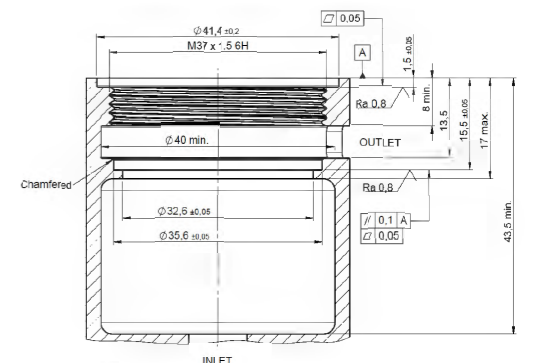
M28

Cartridge	Reference	Pg	Machining tips
Urinal M28 Blue	19MTU0C05	181	
Basin M28 Blue	19MTB0C05	181	
Basin M28 Red	19MTB0H05	181	
Adjustable M28 Blue	19MTA0C05	181	
Adjustable M28 Red	19MTA0H05	181	



M37

Cartridge	Reference	Pg	Machining tips
Shower M37 Red	19MTSOH02	182	



NOTE:
A mesh-50 must be installed upstream the valve.

Flexible Hoses

Sedal's range of flexible hoses offers reliable performance, durability, and versatility for a wide variety of plumbing applications. Our hoses are designed to ensure easy installation and long-lasting resistance to pressure, temperature, and corrosion.

They are available in multiple lengths and diameters, with options for stainless steel braid, EPDM inner tubing, and reinforced PVC. Standard connections include F/F, F/M, and customized fittings to adapt to specific market needs.

Additional features such as anti-twist systems, color-coded indicators, and WRAS or ACS certifications are also available across the range.

Flexible Hose for taps



Flexible hoses

10 products
2 categories

Flexible Hoses

For Faucets

Name	Code	Page
Flexible hoses for taps	DN6	188
Standard flexible hoses for taps	DN8	188

For Installations

Name	Code	Page
Standard flexible hoses	DN13	189
Standard flexible hoses	DN19	189
Standard flexible hoses	DN25	189

For Faucet

DN6 & DN8

Description

Flexible hoses for sanitary faucets: faucets, wash-basins and bidets.

Available as standard components with possibility of changing materials length and fitting configuration under customer demand.

Certifications

ACS AENOR QB



Flexible hoses for taps
DN6



Standard flexible hoses
DN8

Technical Specifications

General	Flexible hoses DN6	Flexible hoses DN8
End fittings	Brass CW617N	Brass CW617N
Nuts	3/8" or 1/2"	3/8" or 1/2"
Nozzle	M-8 x1 - M-10 x1	M-8 x1 - M-10 x1
Sleeve	Stainless steel AISI 304	Stainless steel AISI 304
Hose	E.P.D.M. sanitary hose	E.P.D.M. sanitary hose
Mesh	AISI 304 wire	AISI 304 wire
Ø Internal Diameter	6 mm	8mm
Ø External Diameter	10mm	12mm
Max. temperature	90°C	90°C
Drinking water	Yes	Yes
Burst pressure	100 bar	100 bar
Work pressure	25 bar	25 bar
Curvature radius	35mm	40mm
Nominal flow	20 l/min	25 l/min

For Installation

DN13 | DN19 | DN25

Description

Flexible hoses for sanitary installations: water heaters, water storage tanks, solar water heaters.

Available as standard and under customer design and requirements of materials, length and fitting configuration.

Certifications

ACS AENOR QB



Standard flexible hoses
DN13



Standard flexible hoses
DN19 & DN25

Technical Specifications

General	Flexible hoses DN13	Flexible hoses DN19	Flexible hoses DN25
End fittings	Brass	Brass	Brass
Nuts	1/2" - 3/4"	3/4"	1"
Nozzle	Stainless steel	Stainless steel	Stainless steel
Sleeve	E.P.D.M. sanitary hose	E.P.D.M. sanitary hose	E.P.D.M. sanitary hose
Hose	AISI 304 wire	AISI 304 wire	AISI 304 wire
Mesh	13mm	19mm	25 mm
Ø Internal Diameter	19mm	27mm	33 mm
Ø External Diameter	90°C	90°C	90°C
Max. temperature	Yes	Yes	Yes
Drinking water	90 bar	90 bar	90 bar
Burst pressure	15 bar	10 bar	10 bar
Work pressure	50mm	70mm	100mm
Curvature radius	70 l/min	200 l/min	120 l/min
Nominal flow	20 l/min	25 l/min	25 l/min

Electronic Water Valves

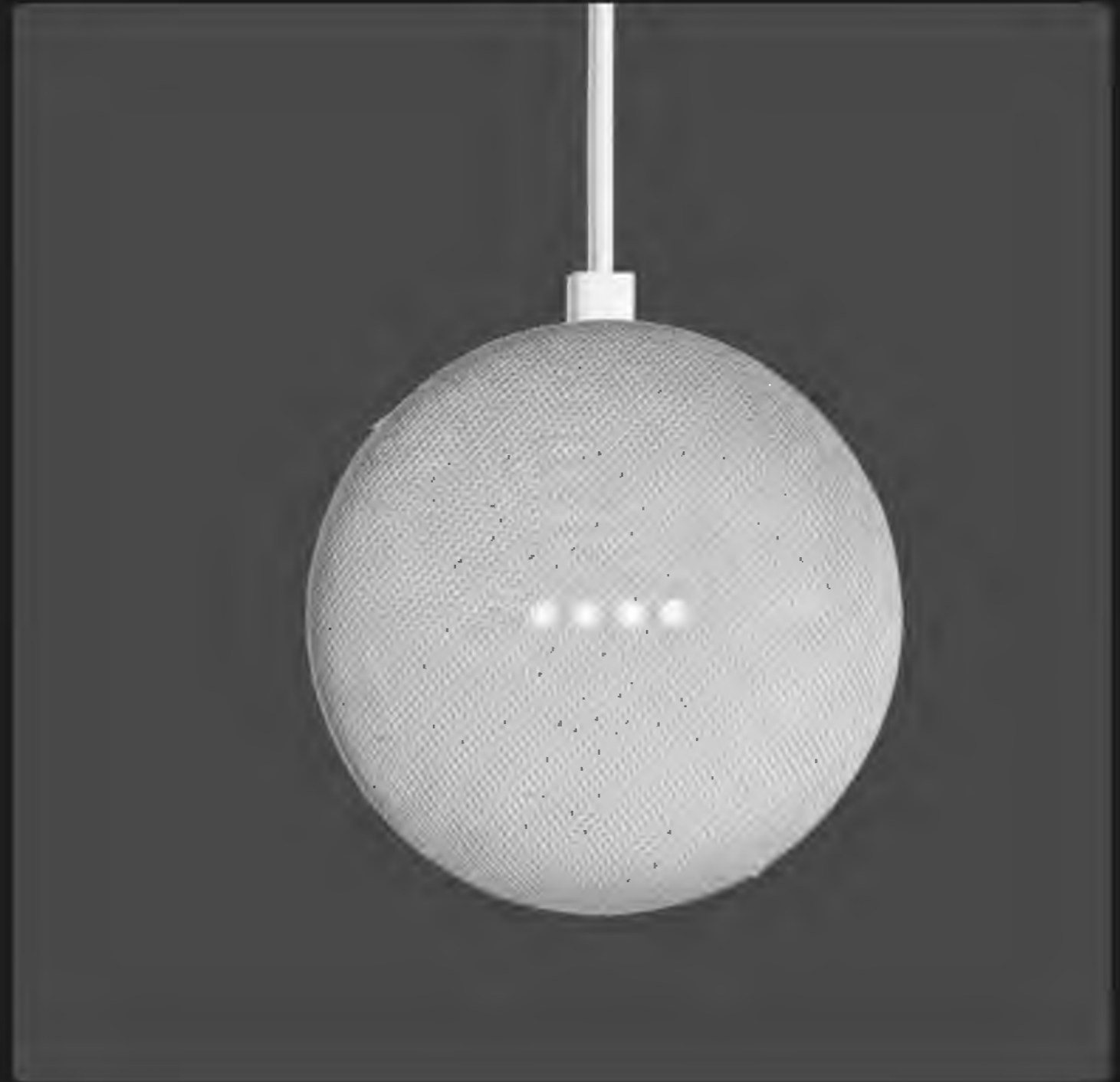
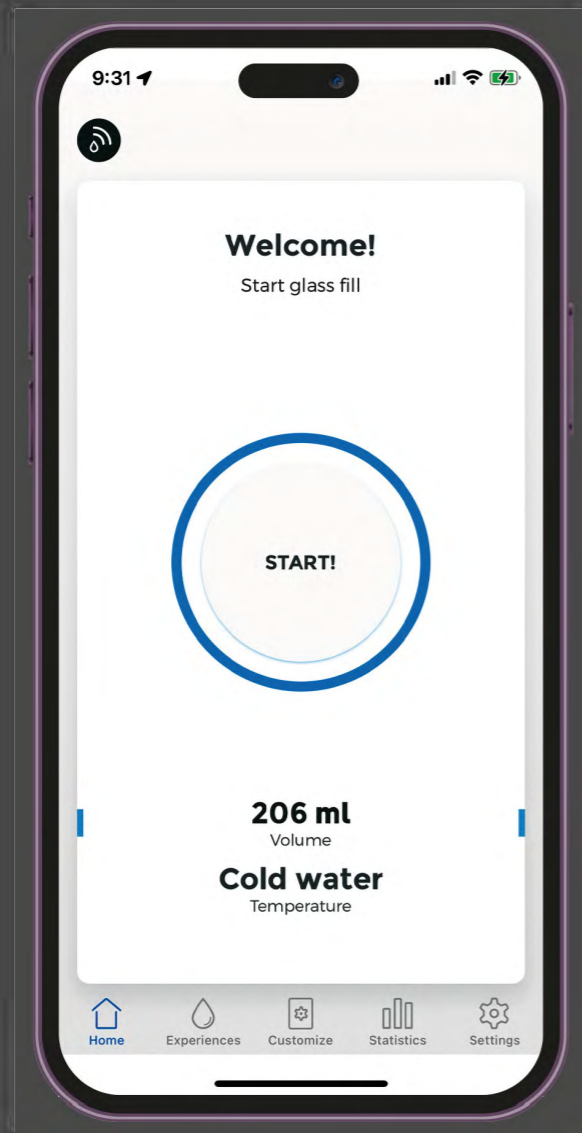
Sedal DIGITAL SYSTEMS



s-Flow

s-Flow is an all new free APP to control digital faucets and showers, adding flexibility to the system by allowing users to set up and manage their devices. Featuring smartshower programs, personal features configuration, automatic warm up parameters, maintenance, statistics and much more, s-Flow is easy to use and powerful.

S-flow App from Sedal



Voice control

Our IoT devices can be operated by voice assistants thanks to our skill, developed specifically for water digital mixers by SEDAL. Users can access all native features of the valves by asking their voice assistant to do actions like turn on the shower at a specific temperature, activate the warm up function or turn on a scene that can include music, lighting and a relaxing shower session.

How do our **Digital** **Systems** work?

How do Sedal's Digital Systems work?

Sedal's Digital Systems are developed with the most user friendly design possible, thought to provide the best quality result and as many options as possible.

It counts with two main objects, the **Electronic Water Valve**, and the **Interface**.

Electronic Water Valves

T1 Shower



Interfaces

iPlus2



The electronic water valve is the brain of the system. It connects to the water inlets, the outlet (like a faucet or shower), a power source and most important, to the user interface (HMI).

The interface doesn't handle water itself. Its only job is to let the user choose how they want the water (turning a lever or pressing a button, for example). That information is sent to the electronic water valve.

All the real work happens inside the valve: it's the part that controls the water, mixes it if needed, and sends it to the outlet. Water only flows through the electronic water valve, never through the interface.

Digital System

T1 Kitchen & iRound Digital System



M1 Bathroom & iTOP Digital System



T2 Shower & iPlus1 Digital System



Electronic Water Valves

Sedal has developed different fully electronic systems which allow complete digital control over the water that flows through our bathroom faucets, kitchen faucets, showers, toilets and urinals.

Our patented electronic solutions include user-friendly digital interfaces and advanced electronic valves, available in both mixing and non-mixing options.

With this electronic water valve, manufacturers can achieve precise control over flow and temperature, collect valuable usage data, and integrate additional features that improve the functionality of a traditional cartridge.



73 Products
3 Categories

Electronic Water Valves

M Family

M Kitchen & Bathroom

Name	Code	Page
Interface AC	27EV009009	000
Interface & Sensor AC	27EV009006	000
Interface & Wi-Fi AC	27EV009016	000
Interface & Sensor & Wi-Fi AC	27EV009015	000
Interface AC/DC	27EV009008	000
Interface & Sensor AC/DC	27EV009002	000
Interface & Wi-Fi AC/DC	27EV009017	000
Interface & Sensor & Wi-Fi AC/DC	27EV009014	000

T Family

T1 Kitchen

Name	Code	Page
Interface AC	27EV010013	000
Interface & Sensor AC	27EV010016	000
Interface & Wi-Fi AC	27EV010017	000
Interface & Sensor & Wi-Fi AC	27EV010020	000
Interface AC/DC	27EV010015	000
Interface & Sensor AC/DC	27EV010012	000
Interface & Wi-Fi AC/DC	27EV010019	000
Interface & Sensor & Wi-Fi AC/DC	27EV010021	000

T1 Shower Class I

Name	Code	Page
1 Outlet	27EV000015	000
2 Outlets	27EV000022	000
3 Outlets	27EV000023	000
1 Outlets & Wi-Fi	27EV000016	000
2 Outlets & Wi-Fi	27EV000024	000
3 Outlets & Wi-Fi	27EV000025	000

T1 Shower Class II

Name	Code	Page
Interface 1 Outlet AC	27EV010022	000
Interface & Wi-Fi 1 Outlet AC	27EV010025	000
Interface 2 Outlet AC	27EV010027	000
Interface & Wi-Fi 2 Outlet AC	27EV010025	000
Interface 2 Outlet AC	27EV010027	000
Interface & Wi-Fi 2 Outlet AC	27EV010025	000
Interface 1 Outlet AC/DC	27EV010024	000
Interface & Wi-Fi 1 Outlet AC/DC	27EV010026	000
Interface 2 Outlet AC/DC	27EV010029	000
Interface & Wi-Fi 2 Outlet AC/DC	27EV010026	000
Interface 2 Outlet AC/DC	27EV010029	000
Interface & Wi-Fi 2 Outlet AC/DC	27EV010026	000

T2 Shower Class I

Name	Code	Page
2 Outlets	27EV007001	000
3 Outlets	27EV007002	000
4 Outlets	27EV007003	000
Wi-Fi module	27EI000039	000

T2 Shower Class II

Name	Code	Page
2 Outlets	27EV011001	000
3 Outlets	27EV011002	000
4 Outlets	27EV011003	000
Wi-Fi module	27EI000039	000

H Family

H1 Bathroom

Name	Code	Page
G1/2 - S1,S5,S6 AC	27EV000002	000
SPOUT - S8,S9 AC	27EV000060	000
SPOUT - S7 AC	27EV000057	000
G1/2 - S1,S5,S6 DC	27EV000013	000
SPOUT - S8,S9 DC	27EV000059	000
SPOUT - S7 DC	27EV000056	000
G1/2 - S1,S5,S6 AC/DC	27EV000014	000
SPOUT - S8,S9 AC/DC	27EV000055	000
SPOUT - S7 AC/DC	27EV000058	000
Non - adjustable AC	27EV000002	000
	27EV000024	000
Non - adjustable DC	27EV000001	000
	27EV000023	000
Non - adjustable AC/DC	27EV000003	000
	27EV000025	000

H2 Bathroom

Name	Code	Page
Brass 80° - S13C AC/DC	27ES000073	000
Brass 80° - S1C AC/DC	27ES000081	000
Brass 90° - S1C AC/DC	27ES000080	000
Brass 90° - S3C AC/DC	27ES000071	000
Plastic 60° - S14C AC/DC	27ES000072	000
Plastic 90° - S3C AC/DC	27ES000070	000
Brass 80° - S13C AC/DC - 4MS	27ES000078	000
Brass 90° - S3C AC/DC - 4MS	27ES000077	000
Plastic 60° - S14C AC/DC - 4MS	27ES000083	000
Plastic 90° - S3C AC/DC - 4MS	27ES000084	000

H3 Toilet

Name	Code	Page
Brass AC	27EG004002	000
Brass DC	27EG004001	000
Brass AC/DC	27EG004003	000
Plastic AC	27EG004007	000
Plastic DC	27EG004006	000
Plastic AC/DC	27EG004008	000

M1 Kitchen & Bathroom

Mixer Electronic Water Valve

Versions

Product	AC	AC/DC
Interface	27EV009009	27EV009008
Interface & Sensor	27EV009006	27EV009002
Interface & Wi-Fi	27EV009016	27EV009017
Interface & Sensor & Wi-Fi	27EV009015	27EV009014

Description

M1 electronic water valve is a mixer valve to be connected to an interface and control the water temperature and flow rate in a digital way for kitchen faucets and bathroom faucets. It has several options like: battery backup, infrared sensors compatibility, Wi-Fi or Bluetooth connectivity and special functions to add new functionalities.



Features

Temperature control

Can control the temperature in a digital way proportion.

Flow rate control

Can control the flow rate in a digital way in % of opening.

Pause

Remembers water temperature and flow that the user was using before shampooing.

Device setup

Set up parameters such as temperature, flow and time of your device.

Super Eco mode

The valve is able to work in very low Flow rates according ECO regulations.

Automatic Shut-off

Shower shuts off automatically after a limited period of time.

Connectivity

Optional model with Wi-Fi-Bluetooth to control functionalities with an app.

Safety shut-off

In case of power outage, the system closes automatically.

Multiple activation

Handles and prioritizes inputs from different sensors and systems.

Battery operated

Powered by AC and AC/DC sources.

Water dispensing timer

Set-up a timer for automatic glass and pot filling.

Preferred Settings

Save preferred settings of temperature, flow.

Technical Specifications

General

Maximum load	≤15 W
Rated impulse Voltage	12 V DC
Hydraulic connections	G3/8, John Guest
Weight	0.54 Kg

Temperature

Recommended Input hot water range	Min. 48°C - Max.65°C
Recommended Input cold water range	Min.5°C - Max.28°C
Maximum inlet temperature	65°C *1
Minimum inlet temperature	>0 °C
Mixed range	Full Cold – Full Hot

Pressure

Maximum dynamic	6 bar (0.6Mpa)
Minimum dynamic	1 bar (0.1Mpa)
Recommended dynamic	3 bar (0.3Mpa)
Maximum differential supply	1.5 bar (0.15Mpa)
Burst	>35 bar (3.5Mpa)

Flow ratae (@3 bar- Free flow DN8)

Mixed water	Min. 2 l/min - Max. 15 l/min
Full Cold or Full Hot water	Min. 2 l/min - Max. 15 l/min

*1) Up to 80 °C less than 20 min

*2) Configurable up to Full Hot on OEM demand

Advantages

Flow rate and temperature control

The device can control Flow rate and temperature in a digital way.

Battery Backup (Optional)

The device has the possibility to add a battery backup to work when there are a power outage.

Connectivity

Optionally, the device can be connected to monitor data and control the product remotely with S-Flow app.

Digital interface priority management

The device can manage multiple interfaces or sensors and control the priority between them according the manufacturer needs or the application, allowing a high flexible and innovative solutions that can't be done with a traditional system.

Voice Assistance (Optional)

Using the APP, the system can be connected to a voice control assistant. Is compatible with Google Assistant and Amazon Alexa.

Open Protocol

The communications port to connect the interface or the communications module Wi-Fi & Bluetooth uses MODBUS RTU standard open protocol to allow manufacturers to develop their own interfaces and modules to control the device without limits.

OEM Customisation (Optional)

All settings can be modified under manufacturer request.

Recommended Applications

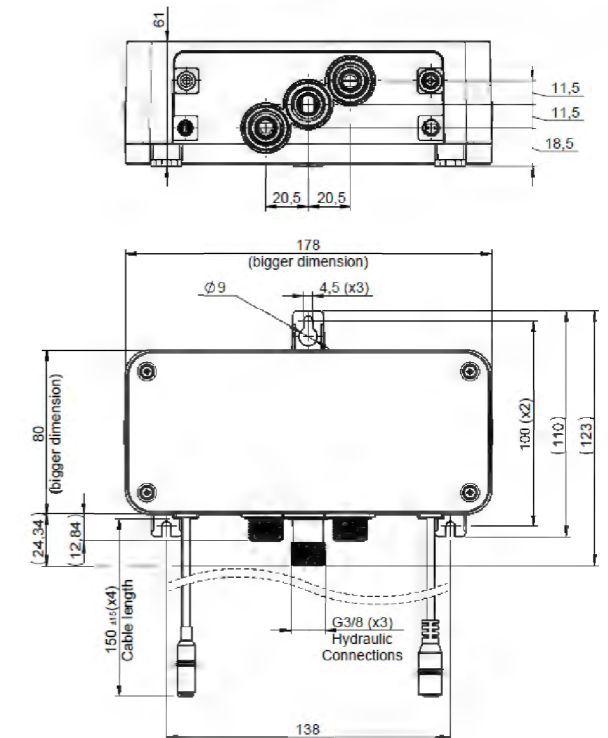


Bathroom



Kitchen faucet

Dimensions



Certifications - Ready for

ACS

WRAS

KTW/
W270

NSF61

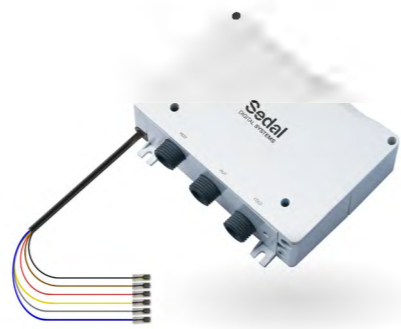
T1 Shower Class I

Thermostatic Mixer Electronic Water Valve

Product	AC
1 Outlet	27EV000015
2 Outlets	27EV000022
3 Outlets	27EV000023
1 Outlets & WI-Fi	27EV000016
2 Outlets & WI-Fi	27EV000024
3 Outlets & WI-Fi	27EV000025

Description

T1 electronic water valve is a thermostatic mixer "CLASS I" valve to be connected to an interface and control the water temperature and flow rate in a digital way for showers. It offers several options, including Wi-Fi or Bluetooth connectivity, outlets control and special functions to add new functionalities. Can work from 1 to 3 outlets with 2 outlets simultaneous with external solenoid valves as diverter.



T1 Shower Class I
Electronic Water Valve

Features

Temperature control

Can control the temperature in a digital way proportion.

Volume control

Can control the volume of water in a digital way in litres per minute.

Super Eco mode

The valve is able to work in very low Flow rates according ECO regulations.

Automatic Shut-off

Shower shuts off automatically after a limited period of time.

Multiple activation

Handles and prioritizes inputs from different sensors and systems.

Leak detection

Detects small leakages of the system.

Outlet

Electronic Water Valve with one outlet plus an additional outlet via an external valve.

Anti-Scalding

Anti-scalding safety warning when using the faucet.

Pause

Remembers water temperature and flow that the user was using before shampooing.

Connectivity

Optional model with Wi-Fi-bluetooth to control functionalities with an app.

Thermal Desinfection

Thermal disinfection in all shower outlets

Warm-Up

Preheats the shower by flushing out water until the desired pre-set temperature is reached.

Device setup

Set up parameters such as temperature, flow and time of your device.

Safety shut-off

In case of power outage, the system closes automatically.

Auto cleaning

Water is flushed through all outlets to avoid lime scale.

User profiles

Store preferred settings of temperature, flow for 3 different users.

Advantages

Thermostatic and volume control

The device can control Flow rate and temperature in a thermostatic digital way. It can control the temperature in degrees and the flow rate in litres per minute.

Connectivity (Optional)

Optionally, the device can be connected to monitor data and control the product remotely with S-Flow app. As the device has multiple sensors can send information about the temperature, flow rate, volumes, time etc.

Digital interface priority management

The device can manage multiple interfaces or sensors and control the priority between them according the manufacturer needs or the application, allowing a high flexible and innovative solutions that can't be done with a traditional system.

Alarm detection

The device can inform through the interface or via APP about the alarms of the system or installation to solve problems more quickly.

Voice Assistance (Optional)

Using the APP, the system can be connected to a voice control assistant. Is compatible with Google Assistant and Amazon Alexa.

Open protocol

The communications port to connect the interface or the communications module Wi-Fi & Bluetooth uses MODBUS RTU standard open protocol to allow manufacturers to develop their own interfaces and modules to control the device without limits.

OEM Customisation (Optional)

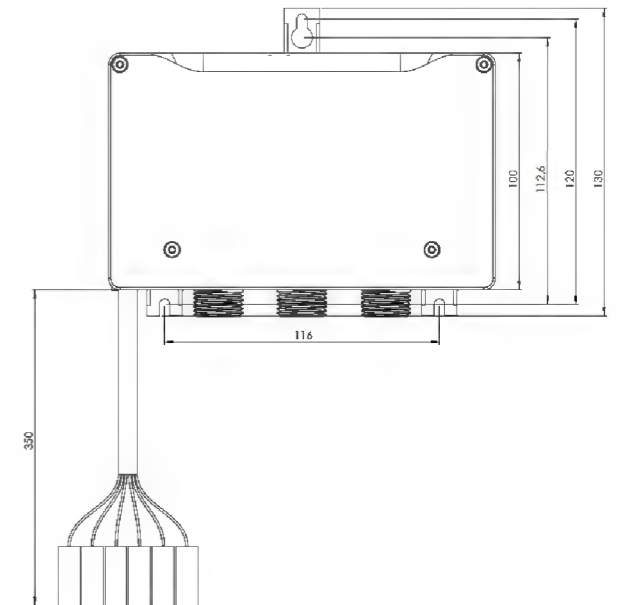
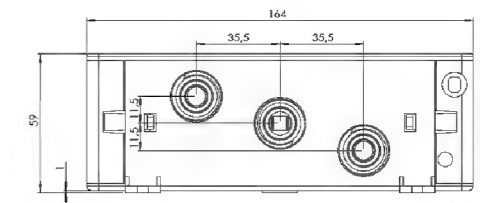
All settings can be modified under manufacturer request.

Recommended Applications



Showers

Dimensions



Certifications - Ready for

ACS

WRAS

KTW/
W270

NSF61

Technical Specifications

General	
Maximum load	≤22W (Standby ≤1W) *(1)
Rated impulse Voltage	12 V DC
Hydraulic connections	G1/2, G3/8, John Guest
Weight	0.4 Kg

Temperature	
Recommended Input hot water range	Min. 48°C - Max.65°C
Recommended Input cold water range	Min.5°C - Max.28°C
Maximum inlet temperature	65°C *2
Minimum inlet temperature	>0°C
Mixed range	Full Cold – 44 °C *(3)

Pressure	
Maximum dynamic	5 bar (0.5Mpa)
Minimum dynamic	1,5 bar (0.1Mpa)
Recommended dynamic	3 bar (0.3Mpa)
Maximum differential supply	1.5 bar (0.15Mpa)
Burst	>35 bar (3.5Mpa)

Flow ratae (@3 bar- Free flow DN8)	
Mixed water free flow	4 l/min - 24 l/min
Full Cold or Full Hot water free flow	4 l/min - 13.3 l/min
Mixed free flow + diverter	4 l/min - 22.3 l/min
Full Cold or Full Hot free flow + diverter	4 l/min - 13.1 l/min

*(1) Without deviator. With Sedal deviator ≤22 W (Standby ≤1W) *(2) Up to 80 °C less than 20 min

*(3) Configurable up to Full Hot on OEM demand

T1 Class II

Thermostatic Mixer Electronic Water Valve

Product	AC	AC/DC
Interface 1 Outlet	27EV010022	27EV010024
Interface & Wi-Fi 1 Outlet	27EV010025	27EV010026
Interface 2 Outlet	27EV010027	27EV010029
Interface & Wi-Fi 2 Outlet	27EV010025	27EV010026
Interface 2 Outlet	27EV010027	27EV010029
Interface & Wi-Fi 2 Outlet	27EV010025	27EV010026



T1 Shower Class II
Electronic Water Valve

Description

T1 The T1 electronic water valve is a thermostatic mixer "CLASS II" valve designed to be connected to an interface to digitally control water temperature and flow rate for showers and kitchen faucets. It offers several options, including battery backup, infrared sensor compatibility, Wi-Fi or Bluetooth connectivity, outlet control, and special functions to add new features. The shower version can operate with 1 to 3 outlets, with 2 outlets running simultaneously when using an external diverter box.

Features

Temperature control

Can control the temperature in a digital way proportion.

Volume control

Can control the volume of water in a digital way in litres per minute.

Pause

Remembers water temperature and flow that the user was using before shampooing.

Device setup

Set up parameters such as temperature, flow and time of your device.

Super Eco mode

The valve is able to work in low flow rates according ECO regulations.

Automatic Shut-off

Shower shuts off automatically after a limited period of time.

Connectivity

Model with opt. Wi-Fi-bluetooth to control functionalities with an app

Safety shut-off

In case of power outage, the system closes automatically.

Multiple activation

Handles and prioritizes inputs from different sensors and systems.

Battery operated

Powered by AC and AC/DC sources.

Water dispensing timer

Set-up a timer for automatic glass and pot filling.

Leak detection

Detects small leakages of the system.

Thermal Desinfection

Thermal disinfection in all shower outlets

Auto cleaning

Water is flushed through all outlets to avoid lime scale.

Outlet

Electronic Water Valve with one outlet plus an additional outlet via an external valve.

Anti-Scalding

Anti-scalding safety warning when using the faucet.

Warm-Up

Preheats the shower by flushing out water until the desired pre-set temperature is reached.

User profiles

Store preferred settings of temperature, flow for 3 different users.

Technical Specifications

General

Maximum load	≤22W (Standby ≤1W) *(1)
Rated impulse Voltage	12 V DC
Hydraulic connections	G1/2, G3/8, John Guest
Weight	0.4 Kg

Temperature

Recommended Input hot water range	Min. 48°C - Max.65°C
Recommended Input cold water range	Min.5°C - Max.28°C
Maximum inlet temperature	65°C *2
Minimum inlet temperature	>0°C
Mixed range	Full Cold - 44 °C *(3)

Pressure

Maximum dynamic	5 bar (0.5Mpa)
Minimum dynamic	1 bar (0.1Mpa)
Recommended dynamic	3 bar (0.3Mpa)
Maximum differential supply	1.5 bar (0.15Mpa)
Burst	>35 bar (3.5Mpa)

Flow rates (@3 bar- Free flow DN8)

Mixed water free flow	4 l/min - 24 l/min
Full Cold or Full Hot water free flow	4 l/min - 13.3 l/min
Mixed free flow + diverter	4 l/min - 22.3 l/min
Full Cold or Full Hot free flow + diverter	4 l/min - 13.1 l/min

*(1) Without deviator. With Sedal deviator ≤22 W (Standby ≤1W)

*(2) Under demand

*(3) Up to 80 °C less than 20 min

*(4) Configurable up to Full Hot on OEM demand

Advantages

Thermostatic and volume control

The device can control Flow rate and temperature in a thermostatic digital way. It can control the temperature in degrees and the flow rate in litres per minute.

Battery Backup (Optional)

The device has the possibility to add a battery backup to work when there are a power outage.

Connectivity (Optional)

Optionally, the device can be connected to monitor data and control the product remotely with S-Flow app. As the device has multiple sensors can send information about the temperature, flow rate, volumes, time etc.

Digital interface priority management

The device can manage multiple interfaces or sensors and control the priority between them according the manufacturer needs or the application, allowing a high flexible and innovative solutions that can't be done with a traditional system.

Alarm detection

The device can inform through the interface or via APP about the alarms of the system or installation to solve problems more quickly.

Voice Assistance (Optional)

Using the APP, the system can be connected to a voice control assistant. Is compatible with Google Assistant and Amazon Alexa.

Open protocol

The communications port to connect the interface or the communications module Wi-Fi & Bluetooth uses MODBUS RTU standard open protocol to allow manufacturers to develop their own interfaces and modules to control the device without limits.

OEM Customisation (Optional)

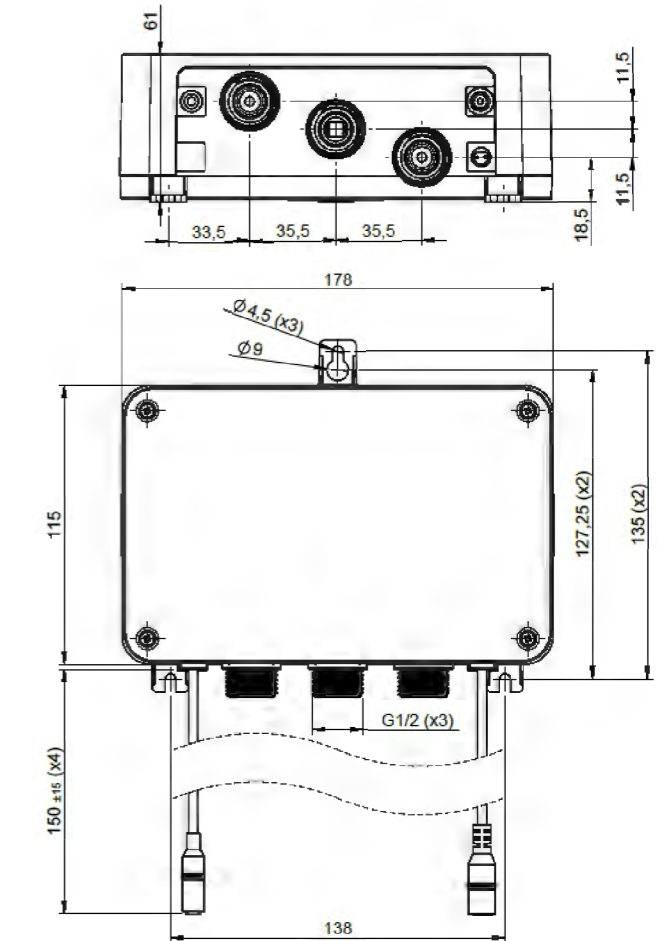
All settings can be modified under manufacturer request.

Recommended Applications



Showers

Dimensions



Certifications - Ready for

ACS

WRAS

KTW/
W270

NSF61

T2 Shower Class I

Thermostatic Mixer Electronic Water Valve

Versions

Product	AC
2 Outlets	27EV007001
3 Outlets	27EV007002
4 Outlets	27EV007003
Wi-Fi module	27EI000039

Description

T2 electronic water valve is a thermostatic mixer "CLASS I" valve to be connected to an interface and control the water temperature and flow rate in a digital way for showers. It offers several options, including Wi-Fi or Bluetooth connectivity, outlets control and special functions to add new functionalities. Can work from 2 to 4 outlets with 2 outlets simultaneous with internal diverter.



Temperature control

Can control the temperature in a digital way proportion.

Volume control

Can control the volume of water in a digital way in litres per minute.

Pause

Remembers water temperature and flow that the user was using before shampooing.

Device setup

Set up parameters such as temperature, flow and time of your device.

Super Eco mode

The valve is able to work in low flow rates according ECO regulations.

Automatic Shut-off

Shower shuts off automatically after a limited period of time.

Connectivity

Model with opt. Wi-Fi-bluetooth to control functionalities with an app

Safety shut-off

In case of power outage, the system closes automatically.

Multiple activation

Handles and prioritizes inputs from different sensors and systems.

Smart Bath Fill

Fill up your bathtub automatically at the desired temperature until reaching pre-set volume.

User profiles

Store preferred settings of temperature, flow for 3 different users.

Leak detection

Detects small leakages of the system.

Thermal Desinfection

Thermal desinfection in all shower outlets

Auto cleaning

Water is flushed through all outlets to avoid lime scale.

Outlet

Electronic Water Valve with one outlet plus an additional outlet via an external valve.

Anti-Scalding

Anti-scalding safety warning when using the faucet.

Warm-Up

Preheats the shower by flushing out water until the desired pre-set temperature is reached.

Technical Specifications

General

Maximum load	≤22W (Standby ≤1W)
Rated impulse Voltage	12 V DC
Hydraulic connections	G1/2, G3/8, John Guest ⁽¹⁾
Weight	01,5 Kg

Temperature

Recommended Input hot water range	Min. 48°C - Max.65°C
Recommended Input cold water range	Min.5°C - Max.28°C
Maximum inlet temperature	65°C ^{*2}
Minimum inlet temperature	>0°C
Mixed range	Full Cold – 44 °C ^{*(3)}

Pressure

Maximum dynamic	6 bar (0.6Mpa)
Minimum dynamic	0,5 bar (0.15Mpa)
Recommended dynamic	3 bar (0.3Mpa)
Maximum differential supply	1.5 bar (0.15Mpa)
Burst	>30 bar (3Mpa)

Flow ratae (@3 bar- Free flow DN8)

Mixed water free flow	6 l/min - 28 l/min
Full Cold or Full Hot water free flow	4 l/min - 16,2 l/min
Mixed free flow + diverter	4 l/min - 29,5 l/min
Full Cold or Full Hot free flow + diverter	4 l/min - 16,2 l/min

⁽¹⁾ Under demand

⁽²⁾ Up to 80 °C less than 20 min

⁽³⁾ Configurable up to Full Hot on OEM demand

⁽⁴⁾ Modifiable for 35bar (3.5Mpa)

Advantages

Thermostatic and volume control

The device can control Flow rate and temperature in a thermostatic digital way. It can control the temperature in degrees and the flow rate in litres per minute.

Connectivity (Optional)

Optionally, the device can be connected to monitor data and control the product remotely with S-Flow app. As the device has multiple sensors can send information about the temperature, flow rate, volumes, time etc.

Alarm detection

The device can inform through the interface or via APP about the alarms of the system or installation to solve problems more quickly.

Voice Assistance (Optional)

Using the APP, the system can be connected to a voice control assistant. Is compatible with Google Assistant and Amazon Alexa.

Open protocol

The communications port to connect the interface or the communications module Wi-Fi & Bluetooth uses MODBUS RTU standard open protocol to allow manufacturers to develop their own interfaces and modules to control the device without limits.

OEM Customisation (Optional)

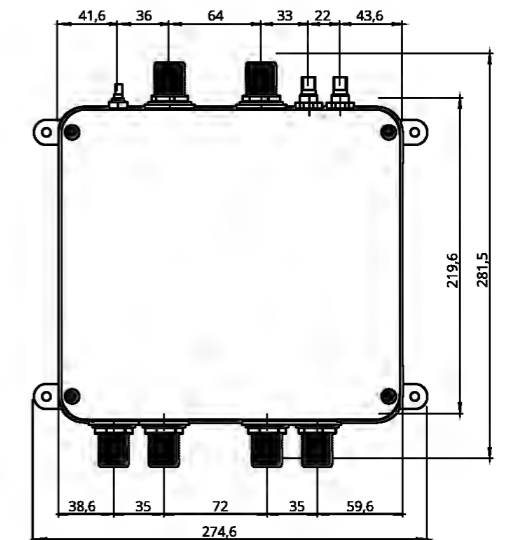
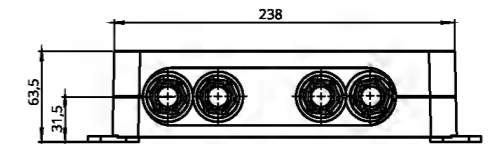
All settings can be modified under manufacturer request.

Recommended Applications



Showers

Dimensions



Certifications - Ready for

ACS WRAS KTW* CE UL NSF*

T2 Shower Class II

Thermostatic Mixer Electronic Water Valve

Versions

Product	AC
4 Outlets	27EV011003
3 Outlets	27EV011002
2 Outlets	27EV011001
Wi-Fi module	27E1000039

Description

T2 electronic water valve is a thermostatic mixer "CLASS II" valve to be connected to an interface and control the water temperature and flow rate in a digital way for showers. It offers several options, including Wi-Fi or Bluetooth connectivity, outlets control and special functions to add new functionalities. Can work from 2 to 4 outlets with 2 outlets simultaneous with internal diverter.



Temperature control

Can control the temperature in a digital way proportion.

Volume control

Can control the volume of water in a digital way in litres per minute.

Pause

Remembers water temperature and flow that the user was using before shampooing.

Device setup

Set up parameters such as temperature, flow and time of your device.

Super Eco mode

The valve is able to work in low flow rates according ECO regulations.

Automatic Shut-off

Shower shuts off automatically after a limited period of time.

Connectivity

Model with opt. Wi-Fi-bluetooth to control functionalities with an app

Safety shut-off

In case of power outage, the system closes automatically.

Multiple activation

Handles and prioritizes inputs from different sensors and systems.

Smart Bath Fill

Fill up your bathtub automatically at the desired temperature until reaching pre-set volume.

User profiles

Store preferred settings of temperature, flow for 3 different users.

Leak detection

Detects small leakages of the system.

Thermal Desinfection

Thermal desinfection in all shower outlets

Auto cleaning

Water is flushed through all outlets to avoid lime scale.

Outlet

Electronic Water Valve with one outlet plus an additional outlet via an external valve.

Anti-Scalding

Anti-scalding safety warning when using the faucet.

Warm-Up

Preheats the shower by flushing out water until the desired pre-set temperature is reached.

Technical Specifications

General

Maximum load	≤22W (Standby ≤1W)
Rated impulse Voltage	12 V DC
Hydraulic connections	G1/2, G3/8, John Guest ⁽¹⁾
Weight	01,5 Kg

Temperature

Recommended Input hot water range	Min. 48°C - Max.65°C
Recommended Input cold water range	Min.5°C - Max.28°C
Maximum inlet temperature	65°C ⁽²⁾
Minimum inlet temperature	>0°C
Mixed range	Full Cold – 44 °C ⁽³⁾

Pressure

Maximum dynamic	6 bar (0.6Mpa)
Minimum dynamic	0,5 bar (0.15Mpa)
Recommended dynamic	3 bar (0.3Mpa)
Maximum differential supply	1.5 bar (0.15Mpa)
Burst	>35 bar (3,5Mpa)

Flow ratae (@3 bar- Free flow DN8)

Mixed water free flow	4 l/min - 31 l/min
Full Cold or Full Hot water free flow	4 l/min - 16,2 l/min
Mixed free flow + diverter	4 l/min - 29,5 l/min
Full Cold or Full Hot free flow + diverter	4 l/min - 16,2 l/min

⁽¹⁾ Under demand

⁽²⁾ Up to 80 °C less than 20 min

⁽³⁾ Configurable up to Full Hot on OEM demand

⁽⁴⁾ Modifiable for 35bar (3.5Mpa)

Advantages

Thermostatic and volume control

The device can control Flow rate and temperature in a thermostatic digital way. It can control the temperature in degrees and the flow rate in litres per minute.

Connectivity (Optional)

Optionally, the device can be connected to monitor data and control the product remotely with S-Flow app. As the device has multiple sensors can send information about the temperature, flow rate, volumes, time etc.

Alarm detection

The device can inform through the interface or via APP about the alarms of the system or installation to solve problems more quickly.

Voice Assistance (Optional)

Using the APP, the system can be connected to a voice control assistant. Is compatible with Google Assistant and Amazon Alexa.

Open protocol

The communications port to connect the interface or the communications module Wi-Fi & Bluetooth uses MODBUS RTU standard open protocol to allow manufacturers to develop their own interfaces and modules to control the device without limits.

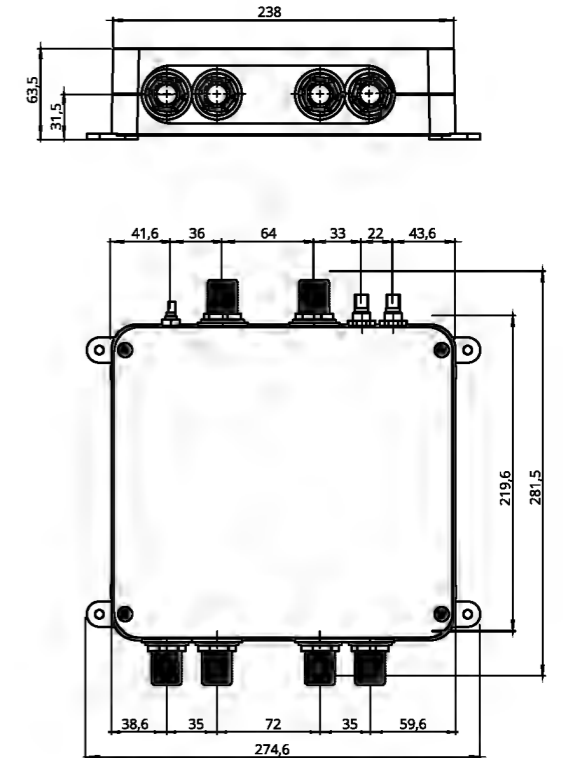
OEM Customisation (Optional)

All settings can be modified under manufacturer request.

Recommended Applications



Dimensions



Certifications - Ready for

ACS WRAS KTW* CE UL NSF*

H1 Bathroom

Thermostatic Mixer Electronic Water Valve

Versions

Product	AC	DC	AC/DC
G1/2 – S1,S5,S6	27EV000002	27EV000013	27EV000014
SPOUT – S8,S9	27EV000060	27EV000059	27EV000055
SPOUT – S7	27EV000057	27EV000056	27EV000058
Non - adjustable	27EV000002	27EV000001	27EV000003
	27EV000024	27EV000023	27EV000025

Description

H1 electronic water valve is a single inlet valve compatible with sensors for bathroom applications. It has several options like: distance adjustment, battery power, power supply or both at the same time.

Features

Automatic Shut-off

Shower shuts off automatically after a limited period of time

Safety shut-off

In case of power outage, the system closes automatically

Battery operated

Powered by AC and AC/DC source

Low-power consumption

Long battery life thanks to its low consumption hardware

Infra-Red

Compatible with IR sensors

Distance adjustment

As option, final user can adjust the detection distance with a setup button

Auto-cleaning

Water is flushed through all outlets to avoid lime scale.

Technical Specifications

General

Voltage supply	DC-6V and/or AC: 230V (50Hz) / 110-120 (60Hz)
Working pressure	1-7 bar
Pressure resistance closed (1 min.)	35
Life test	500,000 cycles
Max. hot water	75°C
Flow rate (Class A)	10.8 l/min
Sensor activation time	<1s
Protection against intrusion (control box)	IP 65
Power consumption (standby)	AC <4W DC <0.2mW
Power consumption (flushing)	AC <5W DC <3W
Water saving function	Auto off adjustable up to 1 min.
Thread	G1/2-14
Battery type (not included)	4xAA 1.5V



H1 Bathroom
Electronic Water Valve

Advantages

Thermostatic and volume control

The device can control Flow rate and temperature in a thermostatic digital way. It can control the temperature in degrees and the flow rate in litres per minute.

Connectivity (Optional)

Optionally, the device can be connected to monitor data and control the product remotely with S-Flow app. As the device has multiple sensors can send information about the temperature, flow rate, volumes, time etc.

Alarm detection

The device can inform through the interface or via APP about the alarms of the system or installation to solve problems more quickly.

Voice Assistance (Optional)

Using the APP, the system can be connected to a voice control assistant. Is compatible with Google Assistant and Amazon Alexa.

Open protocol

The communications port to connect the interface or the communications module Wi-Fi & Bluetooth uses MODBUS RTU standard open protocol to allow manufacturers to develop their own interfaces and modules to control the device without limits.

OEM Customisation (Optional)

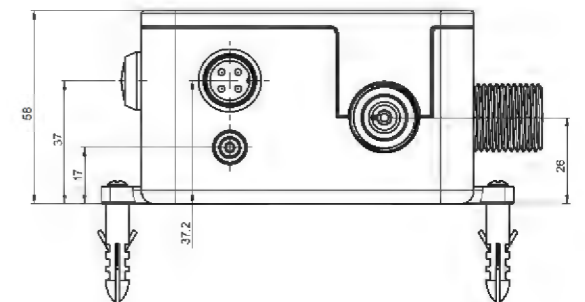
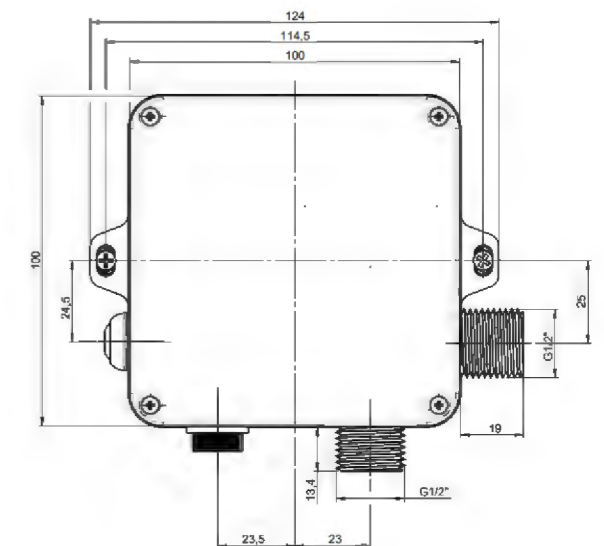
All settings can be modified under manufacturer request.

Recommended Applications



Bathroom

Dimensions



Certifications - Ready for

ACS WRAS KTW* CE UL NSF*

H2

Electronic Water Valve

Versions

Product	AC/DC	AC/DC - 4MS
Brass 80° - S13C	27ES000073	27ES000078
Brass 80° - S1C	27ES000081	
Brass 90° - S1C	27ES000080	
Brass 90° - S3C	27ES000071	27ES000077
Plastic 60° - S14C	27ES000072	27ES000083
Plastic 90° - S3C	27ES000070	27ES000084

Description

H2 electronic water valve is a two inlet valve compatible with sensors for bathroom applications with a temperature selector. It has several options like: distance adjustment, battery power, power supply or both at the same time.

Features

Automatic Shut-off

Shower shuts off automatically after a limited period of time

Safety shut-off

In case of power outage, the system closes automatically

Battery operated

Powered by AC and AC/DC source

Low power consumption

Long battery life thanks to its low consumption hardware

Infra-Red

Compatible with IR sensors

Integrated body

No need for external valve

Easy Instalation

No need for special tool to instal

Water Mixer

Temperature selector temperature adjustment during the use

Technical Specifications

General

Angle of the faucet body with the horizontal	80°
Pre-adjusted detection distance	28±2cm
Rated Impulse voltage	6 V DC
Maximum power	≤4 W
Standby power	≤0,2 mW
Hydraulic connections	M10

Temperature

Recommended Input hot water range	Min. 5°C - Max.65°C
Maximum inlet temperature	75°C
Minimum inlet temperature	>5 °C

Pressure

Limits of use	0,5 bar (0.05 MPa) - 10 bar (1 MPa)
Recommended limits of operation	1 bar (0.1 MPa) - 8 bar (0,8 MPa)
Recommended pressure	3 bar (0,3 MPa)
Burst (closed valve)	>35 bar (3.5Mpa)

Flow ratae (@3 bar- Free flow DN8)

Mixed water free flow	10,7 l/min
-----------------------	------------



H2 Bathroom Electronic Water Valve

Advantages

Integrated body

The device is compatible with low pressure applications,

Temperture selector

The device include a temperature selector to allow the end user to select the temperature while use.

Easy to install

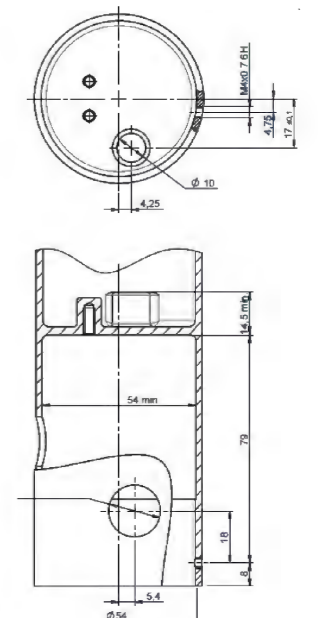
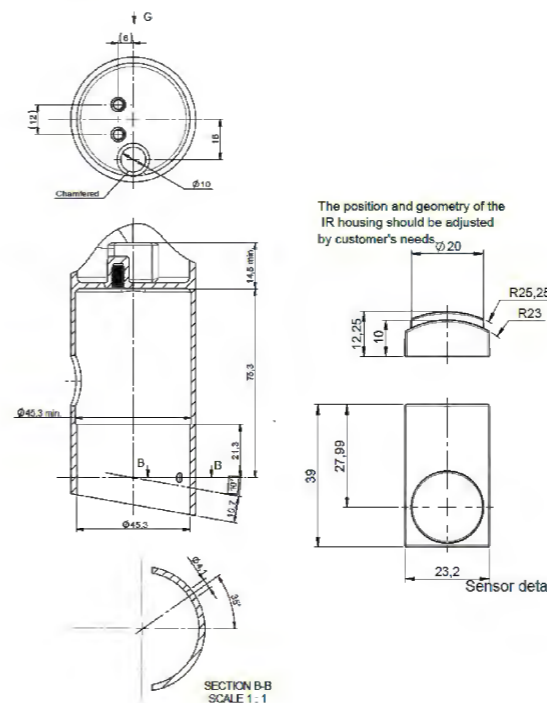
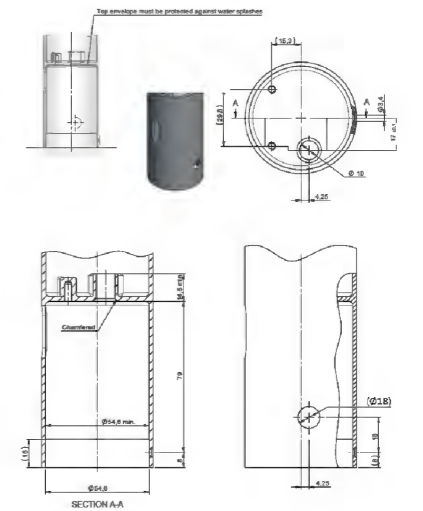
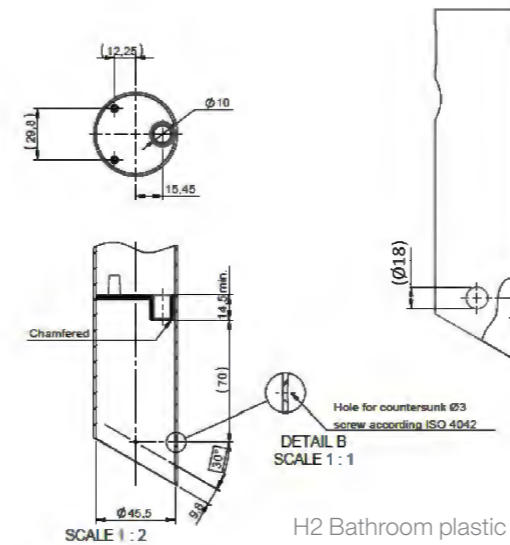
As is integrated inside the faucet, the system is easy and fast to install for a qualified plumber.

Recommended Applications



Bathroom

Dimensions



H2 Bathroom core brass 80°

H2 Bathroom core brass 90°

H3

Electronic Water Valve

Versions

Product	Brass	Plastic
AC/DC	27EG004003	27EG004008
AC	27EG004002	27EG004007
DC	27EG004001	27EG004006

Description

Highly efficient and economic solution for urinals packed with advanced technologies to save water with minimal maintenance while using a very low amount of energy.

Features

Water Saving

Intelligent flush system with adjustable flush times.

Safety shut-off

In case of power outage, the system closes automatically

Infra-Red

Compatible with IR sensors

Intelligent

Self adjusting flush detection system as well as anti-light and antiultraviolet rays functions.

Battery operated

Powered by AC and AC/DC source

Low power consumption

Long battery life thanks to it's low consumption hardware

Tap Seal Protection

If not used, it will flush automatically every 24 hours to avoid the odor returning once the trap dries.

Hygienic

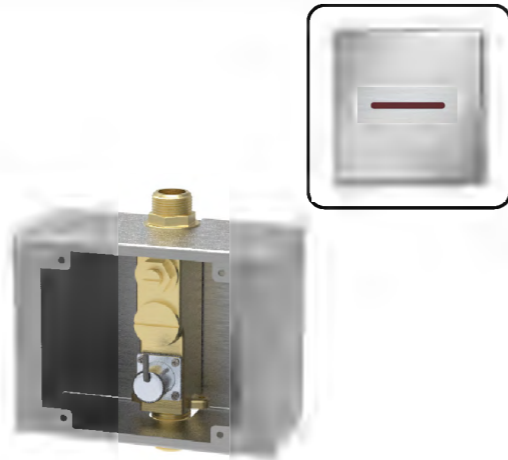
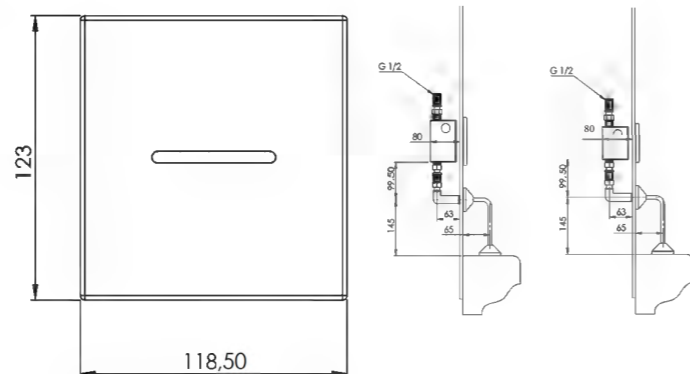
Hands free operation therefore limits the spread of germs and bacteria.

Technical Specifications

General

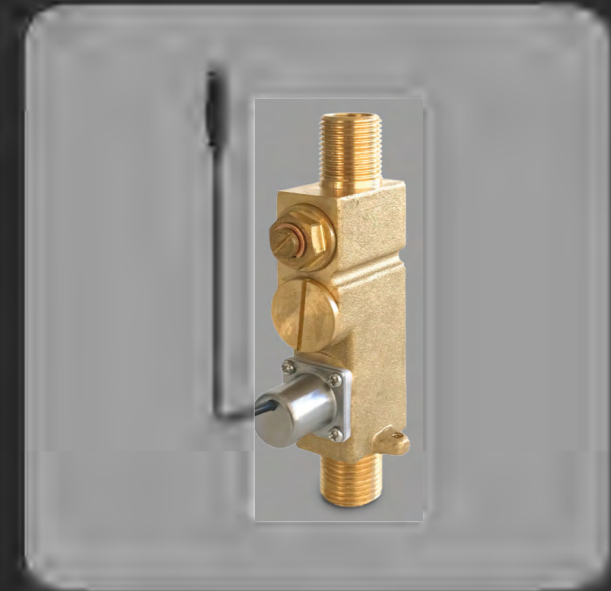
Power supply	AC: 220-240V; 50/60Hz DC: 4AA alkaline battery
Power consumption	≤ 0.3MV
Activation time	≤ 2s.
Water pressure	0.5-7 Bar
Sensing range	75-80 cm
Temperature	0.1-45°C
Inlet diameter	G (1/2)"
Outlet diameter	G (1/2)"

Dimensions



H3 Bathroom Electronic Water Valve

Electronic Water Valves



Interfaces

Sedal has developed a full range of digital interfaces, that paired with our electronic water valves, provide a more user-friendly and personalized setups to enjoy a unique and refined experience.

Based on the extended knowledge that we have engineering cartridges, we have achieved the excellence cartridge: the iTOP Digital Cartridge



iTOP Digital Cartridge, with clicks & i-Handle

37 Products
4 Categories

Interfaces

Digital Shower Panels

iPlus 1



Name	Code	Page
iPlus1 - 2 Outlets	On Demand	000
iPlus1 - 3 Outlets	27EI000034	000

iPlus 2



Name	Code	Page
iPlus2 - 2 Outlets	27EI008003	000
iPlus2 - 3 Outlets	27EI008013	000

iPlus 3



Name	Code	Page
iPlus3 - 2 Outlets	27EI008014	000
iPlus3 - 3 Outlets	27EI008010	000

iSquare



Name	Code	Page
iSquare - 1 Outlet		000

MOZAIC



Name	Code	Page
MOZAIC	On Demand	000

Digital Rotative

iRound1



Name	Code	Page
iRound1 w/knob M1	27EI001020	000
iRound1 w/knob T1	27EI001026	000
iRound1 No knob M1	27EI001021	000
iRound1 No w/knob T1	27EI001027	000

Digital Cartridges

iDC25



Name	Code	Page
iDC25 H47,6 mm & M1	48EN25S0001	000
iDC25 H48,1 mm & M1	48EN25S0002	

iDC35



Name	Code	Page
iDC35 0k Kitchen	48EN35S0005	000
iDC35 2k Kitchen	48EN35S0010	000
iDC35 4k Shower	48EN35S0009	000
iDC35 0k i-Handle Shower	48EN35S0004	000
iDC35 4k i-Handle Shower	48EN35S0001	000
iDC35 2k i-Handle Kitchen	48EN35S0002	000
iDC35 2k i-Handle Basin	48EN35S0003	000
Complement i-Handle	27EI009005	000

Sensors

iRed Sensors

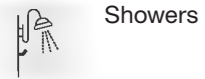
Name	Code	Page
S1 Adjustable	27EI000016	000
S1 Fixed	27EI000013	000
S2 Fixed	27EI000014	000
S3 Fixed	27EI000015	000
S5 Adjustable	27EI002008	000
S5 Fixed	27EI000017	000
S6 Adjustable	27EI002001	000
S6 Fixed	27EI000018	000
S7 Adjustable	27EI000019	000
S8 Adjustable	27EI000020	000
S9 Adjustable	27EI000021	000
S3 CORE	27EI000046	000
S13 CORE	27EI000047	000
S14 CORE	27EI000048	000
Compatibility Table		000



iPlus 1

Digital Shower Display

Recommended Applications



Certifications - Ready for

CE UL

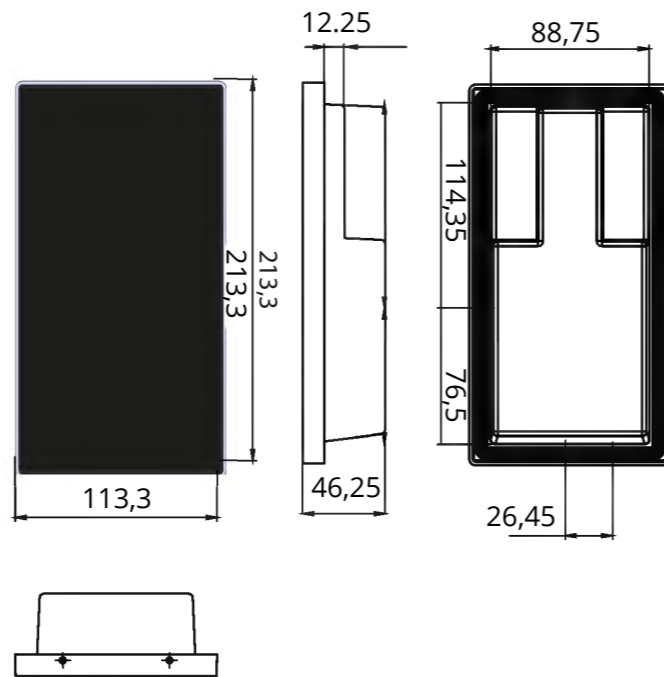


iPLUS 1
Interface

Technical Specifications

General	
Technology	Capacitive
Maximum load	≤1,5 W
Ingress Protection Rating	IP65
Number of buttons	8
Communications ports	1
Protocol	Modbus RTU standard
Communication Physical layer	RS-485
Connectors	1 x 4 way connector
Front	PMMA PLEXIGLASSXTAR
Anti- Scratch treatment	Yes
Touch splashing protection	Yes
Sustained push control	Yes
Temperature color indicator	Yes
Enviromental conditions	
Ambient temperature	Min. 5°C - Max 60°C
Relative humidity	Min.30% - Max 95%
Temperature	
Unit of measure	Celsius
Cold water indicator	Blue led indicator
Hot water indicator	Red led indicator
Flow Rate	
Unit of measure	l/min

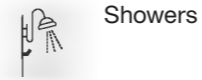
Dimensions



iPlus 2

Digital Shower Display

Recommended Applications



Certifications - Ready for

CE UL

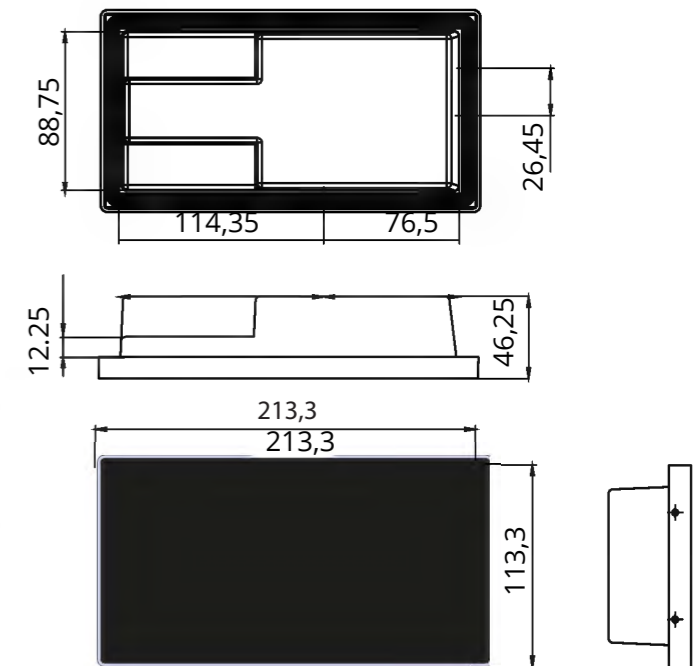


iPLUS 2
Interface

Technical Specifications

General	
Technology	Capacitive
Maximum load	≤1,5 W
Ingress Protection Rating	IP65
Number of buttons	8
Communications ports	1
Protocol	Modbus RTU standard
Communication Physical layer	RS-485
Connectors	1 x 4 way connector
Front	PMMA PLEXIGLASSXTAR
Anti- Scratch treatment	Yes
Touch splashing protection	Yes
Sustained push control	Yes
Temperature color indicator	Yes
Enviromental conditions	
Ambient temperature	Min. 5°C - Max 60°C
Relative humidity	Min.30% - Max 95%
Temperature	
Unit of measure	Celsius
Cold water indicator	Blue led indicator
Hot water indicator	Red led indicator
Flow Rate	
Unit of measure	l/min

Dimensions



iPlus 3

Digital Shower Display

Versions

Product	T1 & T2
2 Outlets	27EI008010
3 Outlets	27EI008004

Recommended Applications



Showers

Certifications - Ready for

CE

UL

Technical Specifications

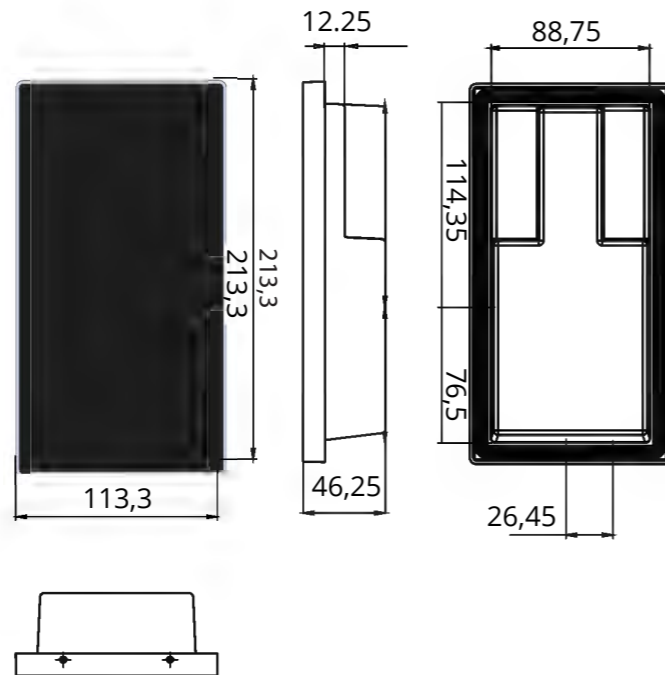
General	
Technology	Capacitive
Maximum load	≤1,5 W
Ingress Protection Rating	IP65
Number of buttons	8
Communications ports	1
Protocol	Modbus RTU standard
Communication Physical layer	RS-485
Connectors	1 x 4 way connector
Front	PMMA PLEXIGLASSXTAR
Anti- Scratch treatment	Yes
Touch splashing protection	Yes
Sustained push control	Yes
Temperature color indicator	Yes

Environmental conditions	
Ambient temperature	Min. 5°C - Max 60°C
Relative humidity	Min.30% - Max 95%

Temperature	
Unit of measure	Celsius
Cold water indicator	Blue led indicator
Hot water indicator	Red led indicator

Flow Rate	
Unit of measure	l/min

Dimensions



iPLUS 3
Interface

iSquare

Digital Shower Display

Versions

Product	T1 & T2
2 Outlets	27EI008010
3 Outlets	27EI008004

Recommended Applications



Showers

Certifications - Ready for

CE

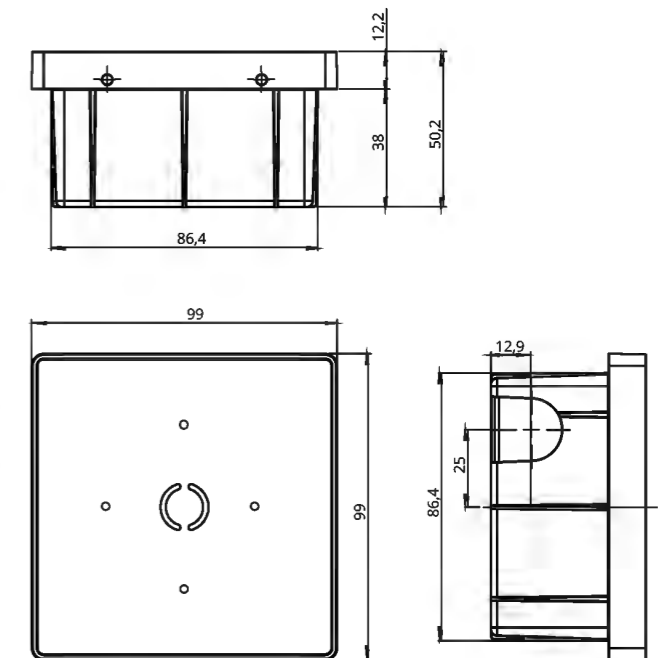
UL*

Technical Specifications

General	
Technology	Membrane
Maximum load	≤1W
CPU Input voltage	12VDC
Ingress Protection Rating	IP65
Number of buttons	5
Communications ports	1
Protocol	Modbus RTU standard
Communication Physical layer	RS-485
Connectors	1 x 4 way connector
Front	HPxxW FILM
Touch splashing protection	Yes
Sustained push control	Yes

Environmental conditions	
Ambient temperature	Min. 5°C - Max 60°C
Relative humidity	Min.30% - Max 95%

Dimensions



iSQUARE 1
Interface

MOZAIC

Digital Shower System Interface design program by Sedal that allows manufacturers to develop a user interface in record time with minimal investment

Combining pre-designed components in a flexible canvas, it is possible to virtually design any combination and have a customized interface for your new shower projects.



Step 3: Select components & functionalities



Button

Multi purpose capacitive button with RGB lighting. For functions like ON/ OFF, selector, confirmation...



IHandle

Classic handle interface that works with our iTOP digital cartridge with display.



iTOP

Digital cartridge that moves in a similar way than a mechanical valve converting movement to digital informations.



Dots

Modern LED dot matrix that displays different types of data like temperature, water flow, status...



TFT Screen

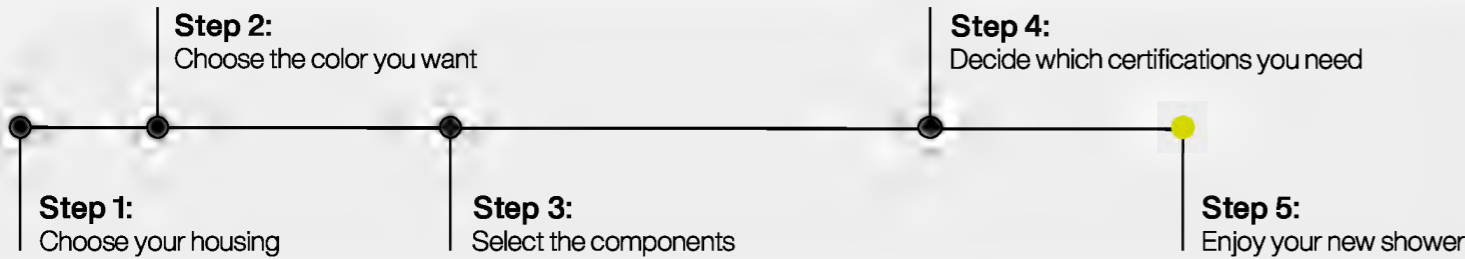
Advanced TFT display with customizable faces for detailed information delivery



Knob

Rotary device that transforms the angle selection into digital information to operate a digital mixer.

Configure your own MOZAIC



Up to **five different components to choose** from to configure the different smart shower options.

Temperature control

Can digitally control the temperature.

Volume control

Can digitally control the volume of water in litres and gallons.

Pause

The shower remembers water temperature and flowrate for a brief time.

Device setup

Set- up parameters such as temperature, flow and timer.

Super Eco Mode

The valve is able to work in very low flow rates, according to eco regulations.

Automatic Shut off

Shower shuts off automatically after a limited period of time.

Connectivity

Optional model with Wi-Fi & Bluetooth to control functionalities with an app.

Safety shut-off

In case of power outage, the system closes automatically.

Multiple activations

Handles & prioritized inputs from different sensors and systems.

Leak Detection

Detects small leakage of the system.

Thermal disinfection

Thermal disinfection in all shower outlets.

Auto-cleaning

Water is flushed through all outlets to avoid lime scale.

Outlets

Electronic Water Valve with up to 3 outlets thanks to an external valves

Anti-Scalding

Anti scalding safety warning and shut off, when hot water is detected

Warm-Up mode

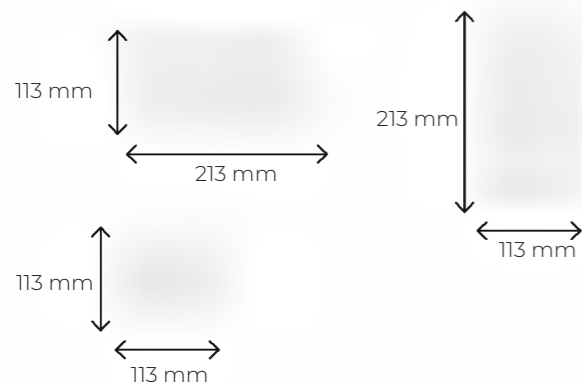
Preheats the shower by flushing out water until the desired pre-set temperature is reached.

User Profiles

Store preferred settings of temperature and flow for up to 3 different users

Step 1: Different housing formats

Choose from three different housing formats to suit your design: horizontal, vertical, or square.



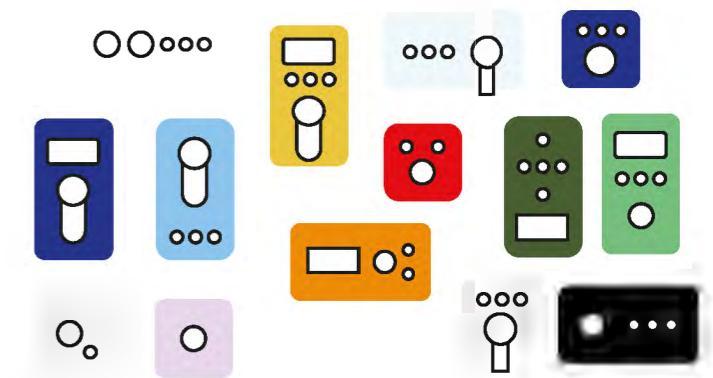
Step 2: Color options

Select the panel color of your digital shower system and combine it with the available trims.



Endless Combinations

Choose a simple setup or a fully customized configuration. MOZAIC, our digital shower system becomes the centerpiece of all bathrooms, whether in private or public settings.



Step 4: Electronic certification

Finally, once the display configuration is selected, electronic certification of the full system is required. **Now you have your own digital shower system!**

iRound1

Digital Rotatives

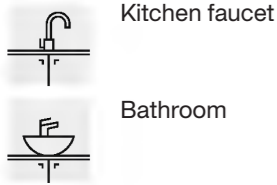
Versions

Product	M1	T1
With knob	27EI001020	27EI001026
Without knob	27EI001021	27EI001027



iRound1
Interface

Recommended Applications



Description

When paired with SEDAL's Mixing Electronic Water Valve (M1, T1), this digital rotary knob offers seamless operation, featuring one-touch ON-OFF control and precise temperature and flow adjustment with a simple turn.

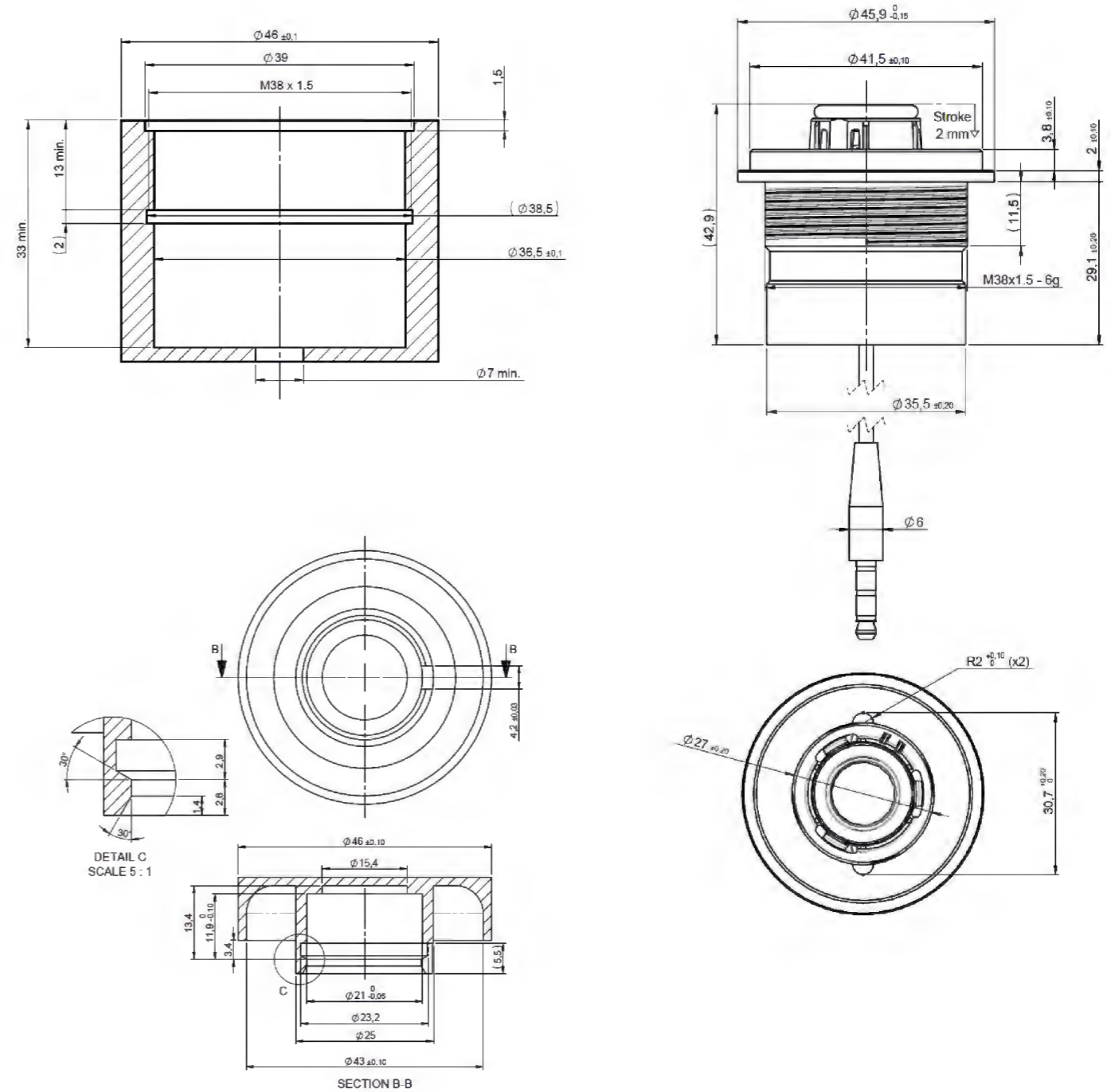
A customizable illuminated ring surrounds the interface, delivering dynamic color effects and real-time feedback for an enhanced user experience.

Technical Specifications

General	
Operating torque	0,02-0,05 Nm
Pressing force	4-6 N
Button Stroke	2mm
Life cycle test	200k ON-OFF cycles 70k turning cycles
Mounting thread	M38 x 1,5
Tightening Torque (Product to Faucet)	1,5 Nm
Extraction load knob	27±5 N
Waterproof protection	YES
Connector	Jack Plug Ø 3,5 mm (4 pins)
Input Voltage	12V DC
Communication protocol	Modbus RTU standard
Communication Physical layer	RS-485

Versions

Dimensions



Certifications - Ready for



iTOP 25 mm

Digital Cartridge

Versions

Product	M1
H47,6 mm	48EN25S0001
H48,1 mm	48EN25S0002

Description

iTOP 25, a revolutionary electronic cartridge that allows the user to customize the special features of the faucet via app.



iTOP 25mm
Interface

Features

Connectivity

Optional model with Wi-Fi-Bluetooth to control functionalities with an app

Super Eco mode

The valve is able to work in very low Flow rates according ECO regulations.

Alarm

It activates when the system detects a problem.

App control

The user can control the functions of the faucet via app.

Technical Specifications

General	
Power consumption	≤6 W (Standby ≤1W)
Rated voltage	12VDC
Nut torque Brass, M27x1,25	7-8 Nm
Operation torque	0,15-0,30 Nm
Life cycle	EN-817 ASME A112.18.1

Advantages

Waterproof touch technologies

Sedal Connect works with different touch technologies depending on technical requirements and functionalities of each project. All our touchpads have an efficient protection against water. The manufacturer can select one interface and customize some of their features.

Design and adaptability

- Functional configurations
- Different technological options and variety of materials (polycarbonate, glass, aluminium, etc.)

Reliable and precise

- Suppression of interferences
- Precise and intuitive touch commutation

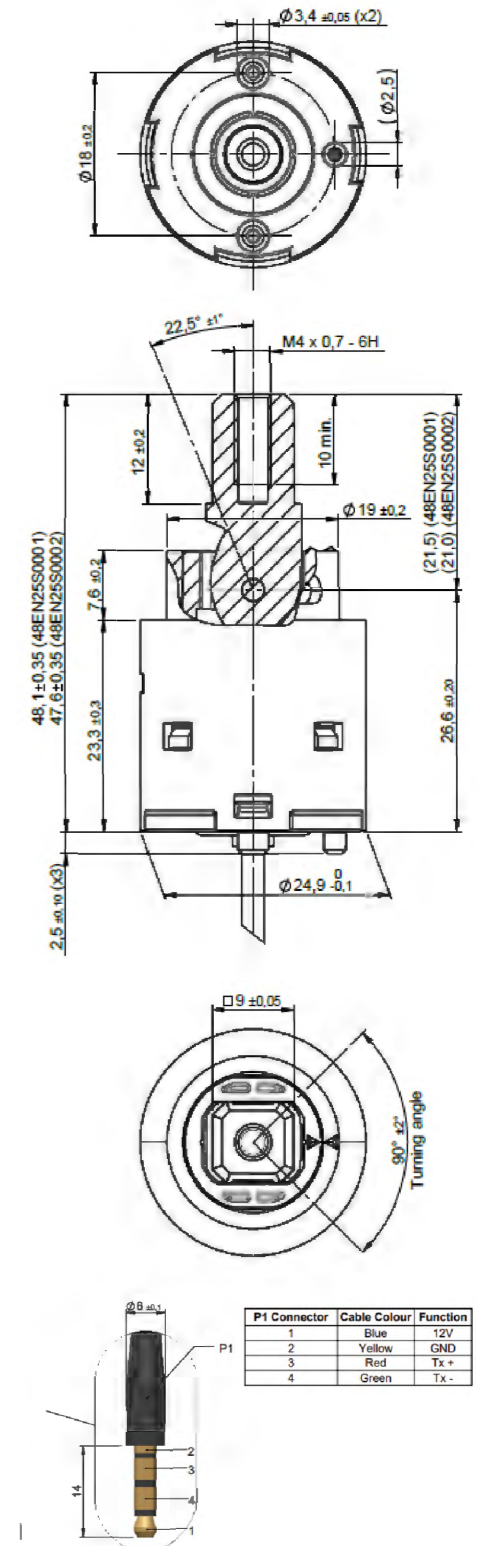
Customizable panels

Customizable panels to reach customer needs according requirements.

Robust and durable

- Resistance in harsh environments
- Water-resistance devices
- Usage-protected graphs

Dimensions



Designed according to:

EN817 ASME 112

iTOP 35

Digital Cartridge

Versions

Product	Shower	Kitchen	Basin
OK		48EN35S0005	
2K		48EN35S0010	
4K	48EN35S0009		
iHandle	OK: 48EN35S0004 4K: 48EN35S0001	2K: 48EN35S0002	2K: 48EN35S0003



iTOP
Digital Cartridge
Interface

Description

iTOP redefines the way a faucet is used and experienced. It is a fully digital cartridge that converts the movement of the lever into digital information to control our Electronic Water Valve thermostatic mixer with incredibly smooth and precise motion.

This innovative cartridge offers extra features impossible to get with mechanical valves: X-Lever™ motion. It consists of 4 extra clicks with selfreturn in each direction of the lever movement that can be programmed for different actions.

iTOP cartridge can work either with a standard lever or with iHandle, our smart handle that provides information with the actions the iTOP cartridge is performing in real time. Sedal has initially defined 3 iHandle interfaces: kitchen, shower and basin.

Features

Connectivity

Optional model with Wi-Fi-Bluetooth to control functionalities with an app

Super Eco mode

The valve is able to work in very low Flow rates according ECO regulations.

Alarm

It activates when the system detects a problem.

App control

The user can control the functions of the faucet via app.

Glass Fill

A preset quantity of water to automatically fill a glass

Tooth Brush

The water flows during 5 seconds to wet the brush.

Pot Fill

The faucet dispenses a preset quantity of water to automatically fill a pot.

Technical Specifications

General

Maximum load	≤6 W (Standby ≤1W)
Rated voltage	12 V DC
Nut torque Brass, M37x1,25	9-10 Nm

General

Operation torque	0,15-0,30 Nm
Click operation torque	0,30-0,40 Nm
Available clicks direction	Up/Down/Left/Right
Communication cable with handle	Yes
Life cycle	EN-817 ASME A112.18.1

Advantages

Waterproof touch technologies

Sedal Connect works with different touch technologies depending on technical requirements and functionalities of each project. All our touchpads have an efficient protection against water. The manufacturer can select one interface and customize some of their features.

Design and adaptability

- Functional configurations
- Different technological options and variety of materials (polycarbonate, glass, aluminium, etc.)

Reliable and precise

- Suppression of interferences
- Precise and intuitive touch commutation

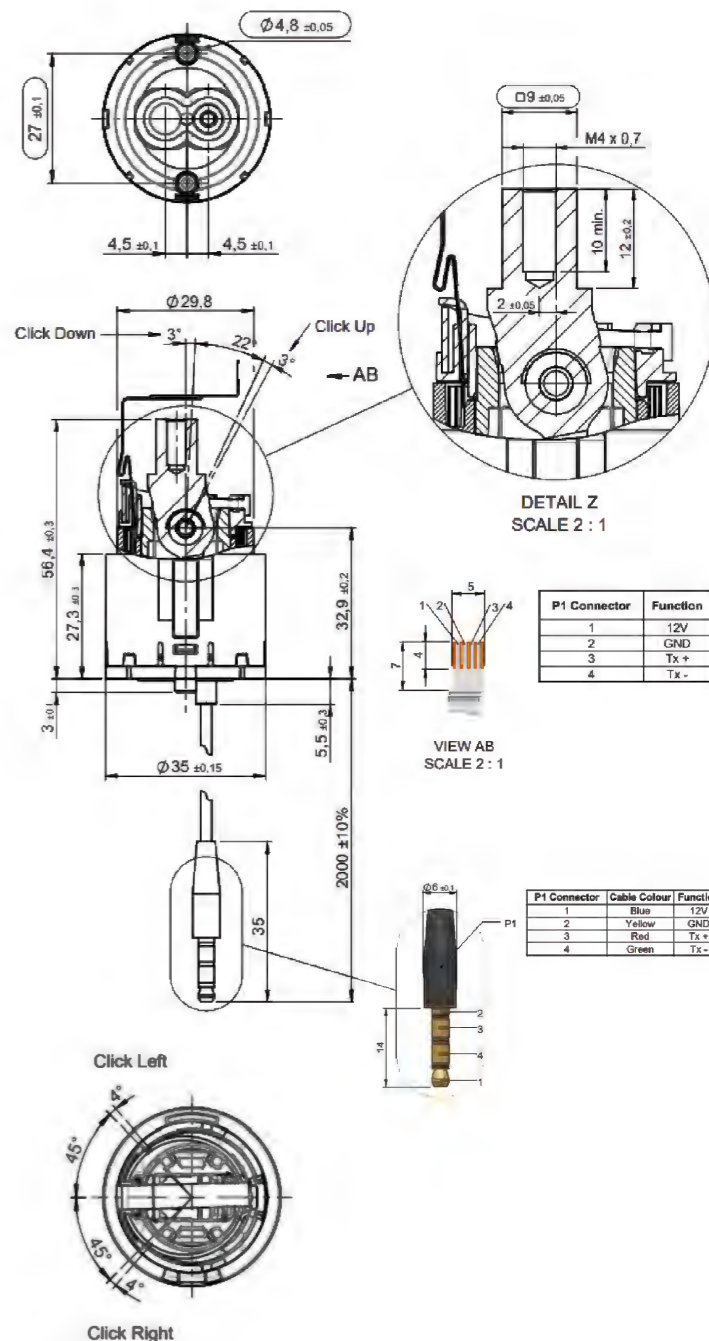
Customizable panels

Customizable panels to reach customer needs according requirements.

Robust and durable

- Resistance in harsh environments
- Water-resistance devices
- Usage-protected graphs

Dimensions



HANDLE
DIGITAL INTERFACE



Designed according to:

EN817 ASME
112

COMPLEMENT – iHandle

Digital Handle

Versions

Product	M1
iHandle	27EI009005



iHandle
Interface

Description

Developed and manufactured by Sedal to work together with our new iTOP digital cartridge with X-Lever™ technology

Based on the most accepted mechanical interface, we have evolved the classic lever into a system that provides key information and extra comfort to the user with dot matrix display and icons, as well as other lighting indicators that makes your faucets both beautiful and extremely functional.

Additionally, with a small investments, we can customized it uniqly for you.

Features

Connectivity

Optional model with Wi-Fi-
bluetooth to control functionalities
with an app

Super Eco mode

The valve is able to work in very
low Flow rates according ECO
regulations.

Alarm

It activates when the system
detects a problem.

App control

The user can control the functions
of the faucet via app.

Glass Fill

A preset quantity of water to
automatically fill a glass

Tooth Brush

The water flows during 5 seconds
to wet the brush.

Pot Fill

The faucet dispenses a preset
quantity of water to automatically
fill a pot.

Technical Specifications

General

Maximum load	≤4 W (Standby ≤1W)
Rated voltage	12 V DC
Ingress Protection Rating	IP65
Communication Protocol	i2C
Panel material	PMMA (Hard Coated)
Displau	Dotmatrix
Icons	Color LED

Advantages

Customizable panels

Customizable panels to reach customer needs according requirements.

Information Display

Thanks to the display and the icon indicators, the user can know with precision bot the temperature and the flow rate, defined by the position of the handle.

Each icon will inform about specific functions and data of the faucet status.

Design and adaptability

- Functional configurations
- Different technological options.

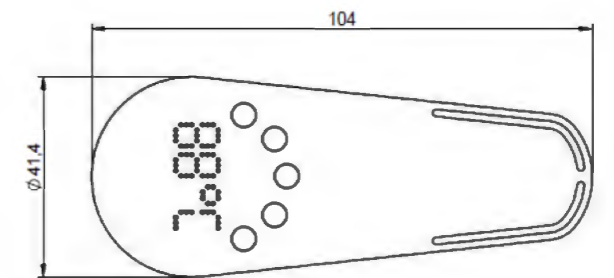
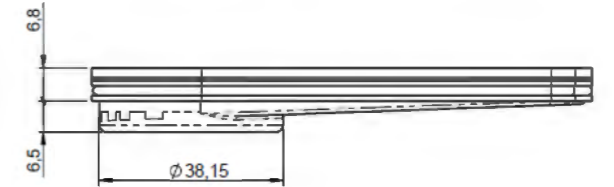
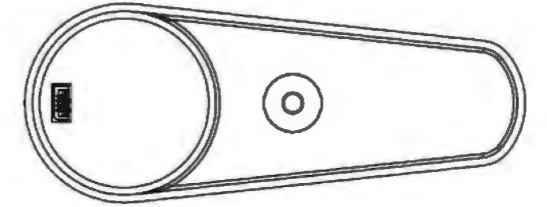
Reliable and precise

- Suppression of interferences
- Precise and intuitive touch commutation

Robust and durable

It is resistance in harsh environments, as well as water resistance devices

Dimensions



Certifications

*Under demand

S1

Sensors

Description

Active infrared sensor to be installed in the faucet body, especially designed for washbasins applications. The sensor can be connected to iH1 Bathroom Fixed or Adjustable.

Recommended Applications



Bathroom

Kitchen faucet



S1
27EI000016 (Adjustable)
27EI000013 (Fixed)

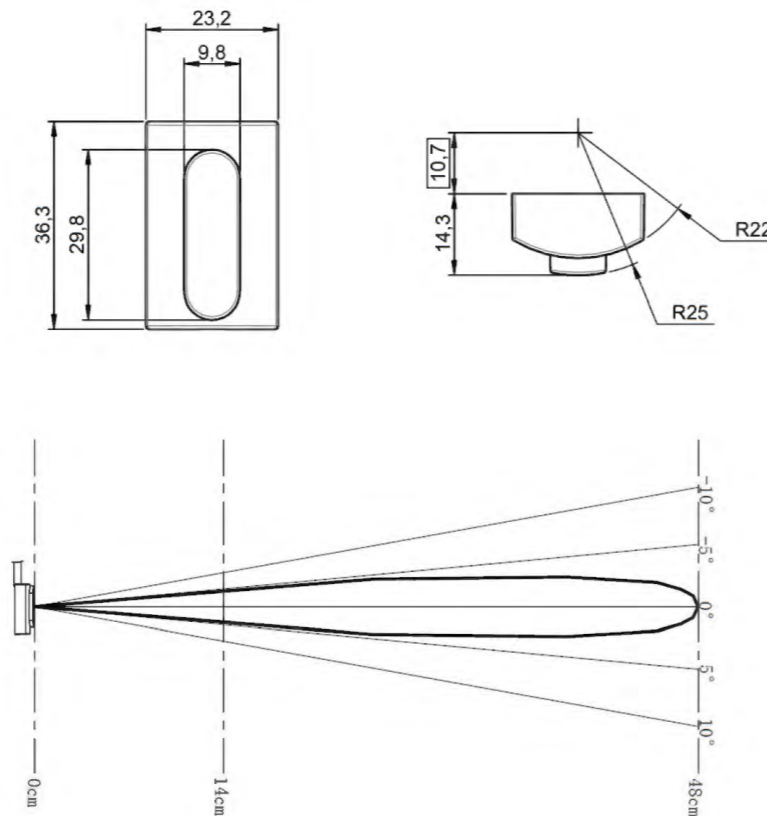
Technical Specifications

Temperature	
Rated Impulse voltage	DC 6V
Maximum power	<4W
Standby power	<0,2mW
Ingress Protection Rating	IP67
Water Saving Function	Auto close after 30s
Undervoltage protection	Yes
Icons	Color LED

Infrared Detection	
Detection range (white card)	10-35cm
Detection distance adjustment	Box button
Sampling period	256 ms

Cable	
Cable length	100 cm
Connector	GX16-4pin / Female

Dimensions



S2

Sensors

Description

Active infrared sensor to be installed in the faucet body, especially designed for washbasins applications. The sensor must be connected to H1 Bathroom.

Recommended Applications



Bathroom

Kitchen faucet



S2
for Fixed
27EI000014

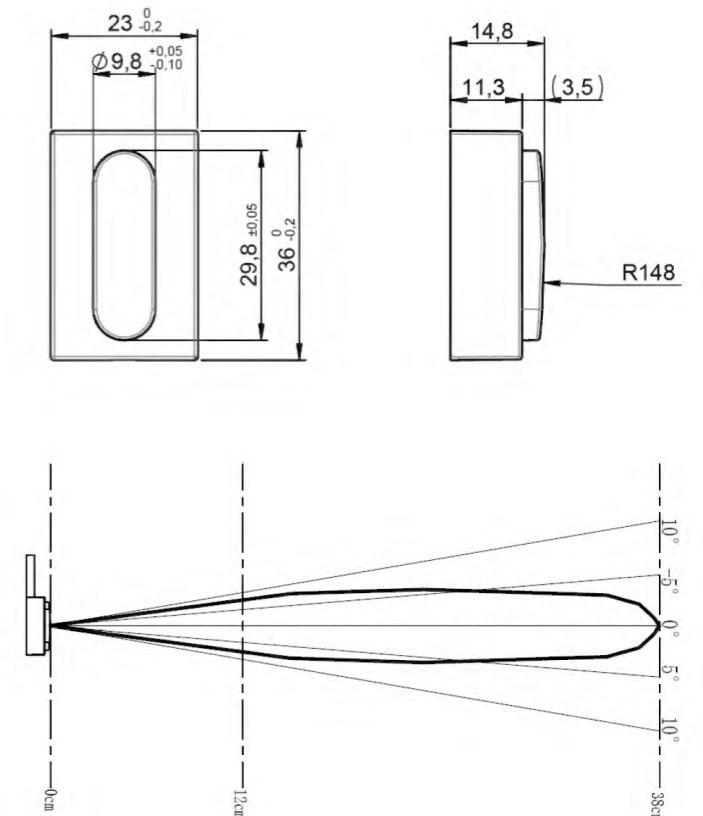
Technical Specifications

Temperature	
Rated Impulse voltage	DC 6V
Maximum power	<4W
Standby power	<0,2mW
Ingress Protection Rating	IP67
Water Saving Function	Auto close after 60s
Undervoltage protection	Yes

Infrared Detection	
Detection range (white card)	12-38cm
Detection distance adjustment	Screw
Sampling period	256 ms

Cable	
Cable length	100 cm
Connector	GX16-4pin / Female

Dimensions



S3

Sensors

Description

Active infrared sensor to be installed in the faucet body, especially designed for washbasins applications. The sensor must be connected to H1 Bathroom.

Recommended Applications



Bathroom



Kitchen faucet



S3
for H1 Bathroom
27EI000015

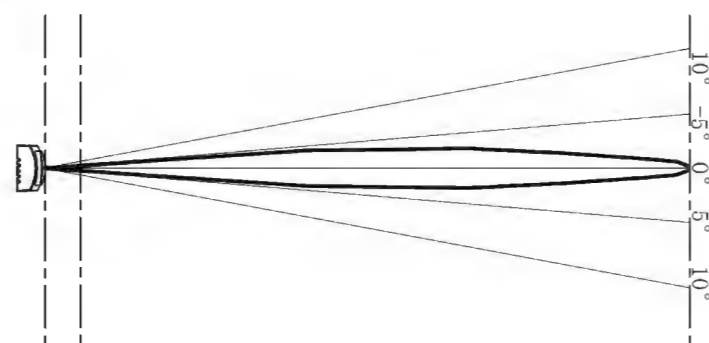
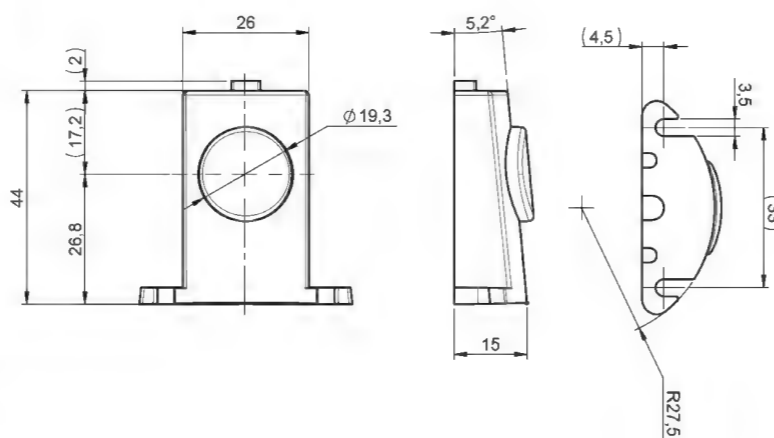
Technical Specifications

Temperature	
Rated Impulse voltage	DC 6V
Maximum power	<4W
Standby power	<0,2mW
Ingress Protection Rating	IP67
Water Saving Function	Auto close after 60s
Undervoltage protection	Yes

Infrared Detection	
Detection range (white card)	1 - 37 cm
Detection distance adjustment	Magnet
Sampling period	256 ms

Cable	
Cable length	100 cm
Connector	GX16-4pin / Female

Dimensions



S5

Sensors

Description

Active infrared sensor to be installed in the faucet body, especially designed for washbasins applications. The sensor must be connected to H1 Bathroom.

Recommended Applications



Bathroom



Kitchen faucet



S5
for H1 Bathroom
27EI000017

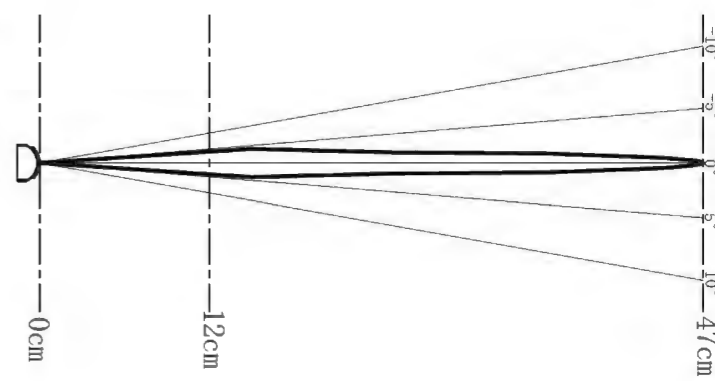
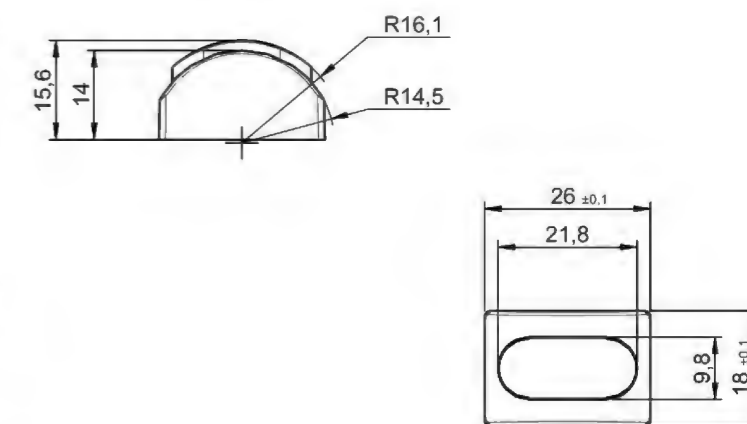
Technical Specifications

Temperature	
Rated Impulse voltage	DC 6V
Maximum power	<4W
Standby power	<0,2mW
Ingress Protection Rating	IP67
Water Saving Function	Auto close after 60s
Undervoltage protection	Yes

Infrared Detection	
Detection range (white card)	12 - 47 cm
Detection distance adjustment	Magnet
Sampling period	256 ms

Cable	
Cable length	180 cm
Connector	GX16-4pin / Female

Dimensions





S6

Sensors

Description

Active infrared sensor to be installed in the faucet body, especially designed for washbasins applications. The sensor can be connected to H1 Bathroom.

Recommended Applications

-  Bathroom
-  Kitchen faucet



S6
27EI002001 (Adjustable)
27EI000018 (Fixed)

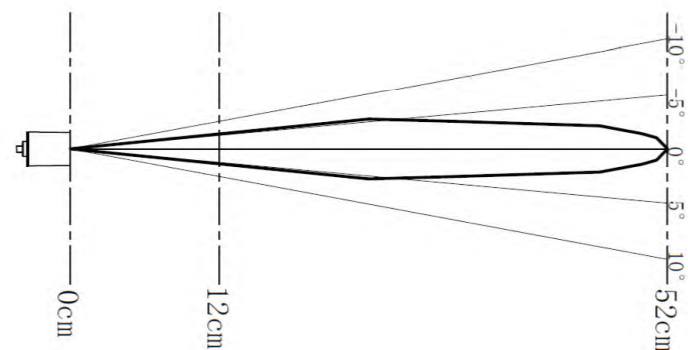
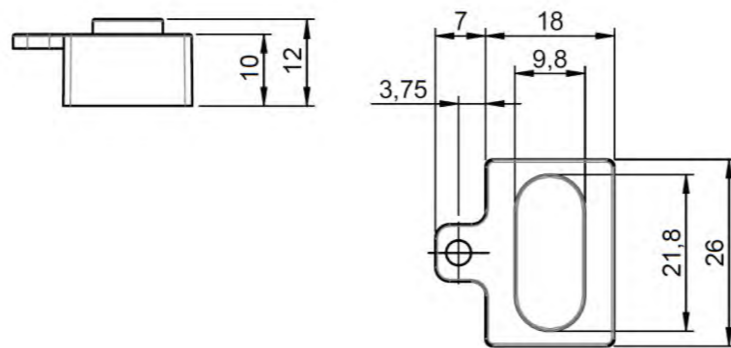
Technical Specifications

Temperature	
Rated Impulse voltage	DC 6V
Maximum power	<4W
Standby power	<0,2mW
Ingress Protection Rating	IP67
Water Saving Function	Auto close after 30s
Undervoltage protection	Yes

Infrared Detection	
Detection range (white card)	12 - 60 cm
Preset detection distance (KODAK rey card 18%)	25 cm
Detection distance adjustment	Box button
Sampling period	256 ms

Cable	
Cable length	180 cm
Connector	GX16-4pin / Female

Dimensions



S7



Sensors

Description

Active infrared sensor to be installed in the faucet body, especially designed for washbasins applications. The sensor can be connected to H1 Bathroom.

Accessory kit available

Recommended Applications

-  Bathroom
-  Kitchen faucet



S7 SENSOR KIT
for H1 Bathroom
27EI000019

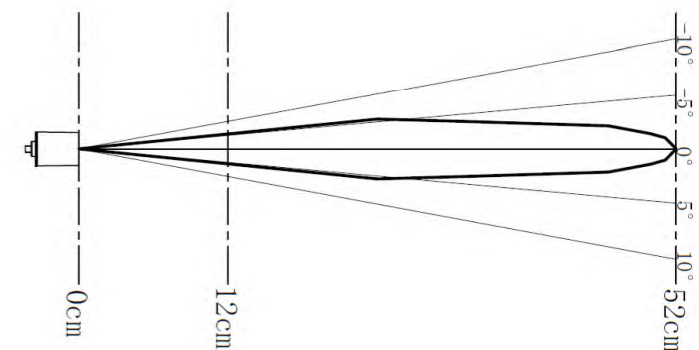
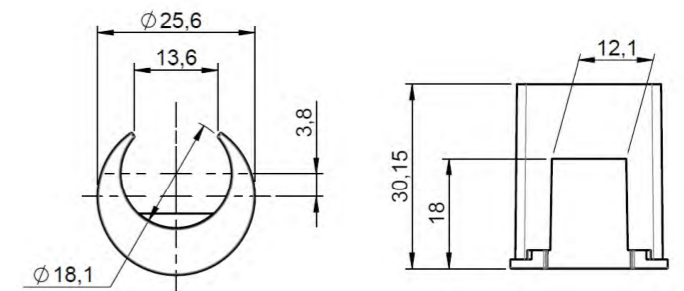
Technical Specifications

Temperature	
Rated Impulse voltage	DC 6V
Maximum power	<4W
Standby power	<0,2mW
Ingress Protection Rating	IP67
Water Saving Function	Auto close after 30s
Undervoltage protection	Yes

Infrared Detection	
Detection range (white card)	12 - 52 cm
Preset detection distance (KODAK rey card 18%)	13±3cm
Detection distance adjustment	256 ms
Sampling period	256 ms

Cable	
Cable length	180 cm
Connector	GX16-4pin / Female

Dimensions



S8

Sensors

Description

Active infrared sensor to be installed in the faucet body, especially designed for washbasins applications. The sensor can be connected to H1 Bathroom.

Accessory kit available

Recommended Applications



Bathroom



Kitchen faucet



S8 SENSOR KIT
for H1 Bathroom
27EI000020

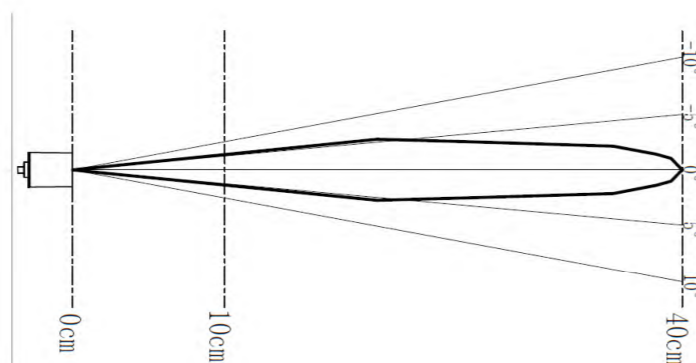
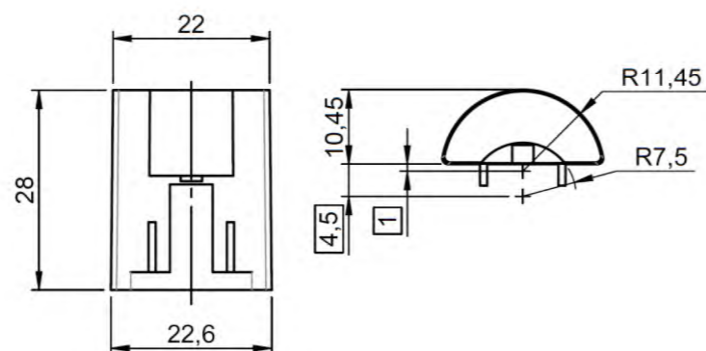
Technical Specifications

Temperature	
Rated Impulse voltage	DC 6V
Maximum power	<4W
Standby power	<0,2mW
Ingress Protection Rating	IP67
Water Saving Function	Auto close after 30s
Undervoltage protection	Yes

Infrared Detection	
Detection range (white card)	1 - 40 cm
Detection distance adjustment	Box Button
Sampling period	256 ms

Cable	
Cable length	100 cm
Connector	GX16-4pin / Female

Dimensions



S9

Sensors

Description

Active infrared sensor to be installed in the faucet body, especially designed for washbasins applications. The sensor can be connected to H1 Bathroom.

Accessory kit available

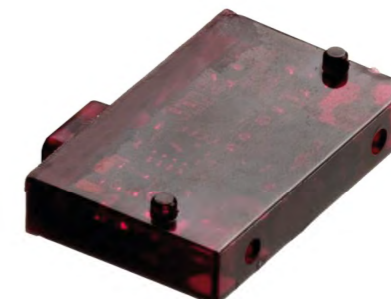
Recommended Applications



Bathroom



Kitchen faucet



S9 SENSOR KIT
for H1 Bathroom
27EI000021

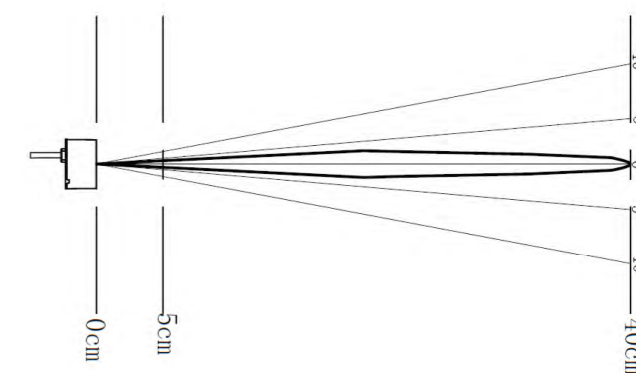
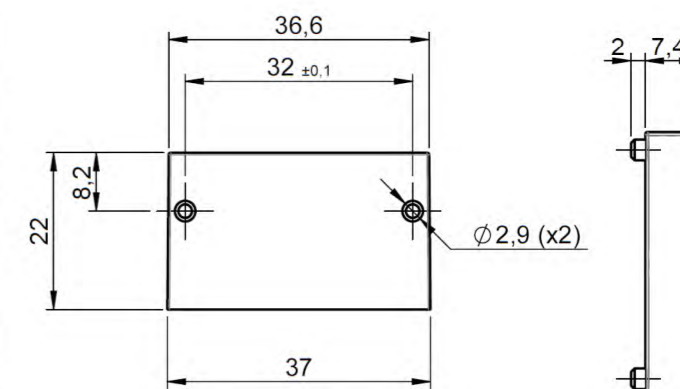
Technical Specifications

Temperature	
Rated Impulse voltage	DC 6V
Maximum power	<4W
Standby power	<0,2mW
Ingress Protection Rating	IP67
Water Saving Function	Auto close after 60s
Undervoltage protection	Yes

Infrared Detection	
Detection range (white card)	5 - 40 cm
Preset detection distance (KODAK rey card 18%)	13±3cm
Detection distance adjustment	Box Button
Sampling period	256 ms

Cable	
Cable length	180 cm
Connector	GX16-4pin / Female

Dimensions



S3 Core

Sensors

Description

Active infrared sensor to be installed in the faucet body, especially designed for washbasins applications. When powered, the sensor contains all the electronics required to operate a bistable latching valve.

Recommended Applications

Bathroom



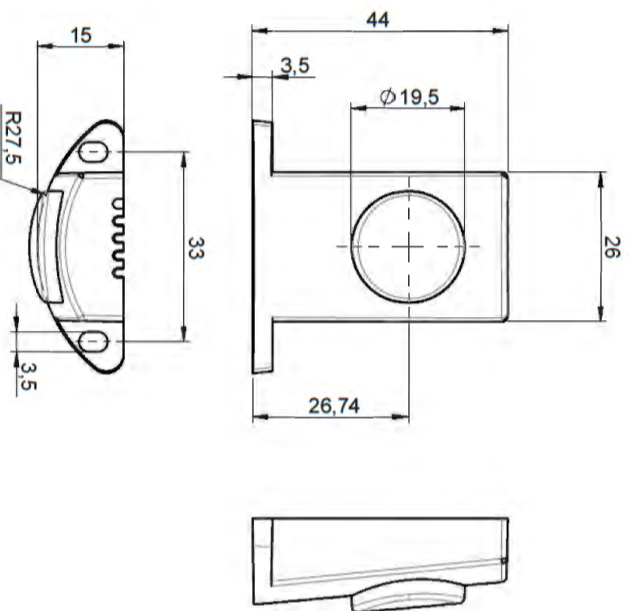
Kitchen faucet



S3 CORE
for H2 Bathroom
27EI000046

Technical Specifications

Temperature	
Rated Impulse voltage	DC 6V
Maximum power	<4W
Standby power	<0,2mW
Ingress Protection Rating	IP67
Water Saving Function	Auto close after 60s
Undervoltage protection	Yes
Power shut-off protection	Yes
Infrared Detection	
Detection range (white card)	32 ± 2 cm
Detection distance adjustment	Magnet
Sampling period	256 ms
Connection	
Valve cable	10 cm - T6-2p Male
Power cable	100 cm - T6-2p Female



S4 Core

Sensors

Description

Active infrared sensor to be installed in the faucet body, especially designed for washbasins applications. When powered, the sensor contains all the electronics required to operate a bistable latching valve.

Recommended Applications

Bathroom



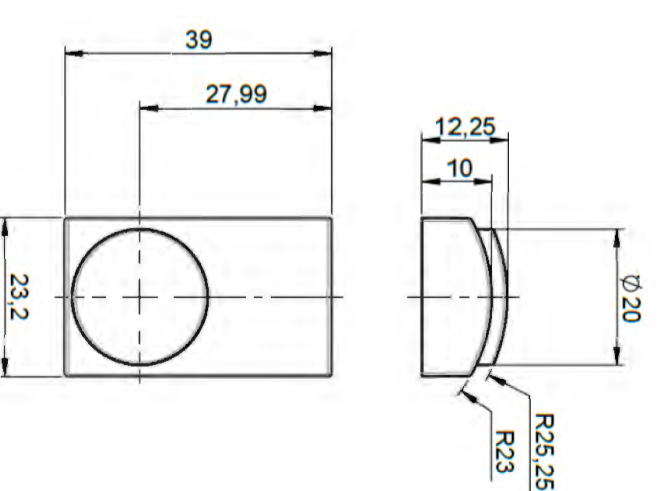
Kitchen faucet



S13 CORE
for H2 Bathroom
27EI000047

Technical Specifications

Temperature	
Rated Impulse voltage	DC 6V
Maximum power	<4W
Standby power	<0,2mW
Ingress Protection Rating	IP67
Water Saving Function	Auto close after 30s
Undervoltage protection	Yes
Power shut-off protection	Yes
Infrared Detection	
Detection range (white card)	28 ± 2 cm
Detection distance adjustment	Magnet
Sampling period	256 ms
Connection	
Valve cable	10 cm - T6-2p Male
Power cable	100 cm - T6-2p Female



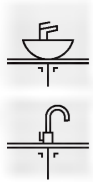
S14 Core

Sensors

Description

Active infrared sensor to be installed in the faucet body, especially deigned for washbasins applications. When powered, the sensor contains all the electronics required to operate a bistable latching valve.

Recommended Applications



Bathroom

Kitchen faucet



S14 CORE
for H2 Bathroom
27EI000048

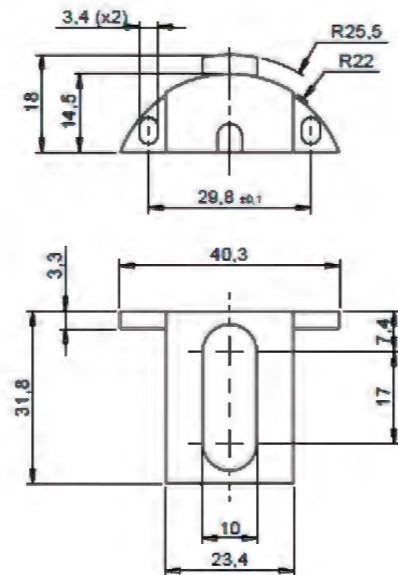
Technical Specifications

Temperature	
Rated Impulse voltage	DC 6V
Maximum power	<4W
Standby power	<0,2mW
Ingress Protection Rating	IP67
Water Saving Function	Auto close after 60s
Undervoltage protection	Yes
Power shut-off protection	Yes

Infrared Detection	
Detection range (white card)	21 ± 3 cm
Detection distance adjustment	Magnet
Sampling period	256 ms

Connection	
Valve cable	10 cm - T6-2p Male
Power cable	100 cm - T6-2p Female

Dimensions



Compatibility Table

For Sensors & H1 Bathroom electronic Water Valve

H1 Bathroom Fixed

Compatibility table for H1 Bathroom Fixed sensors:

- S1**: Infrared sensor for curved body faucets
- S2**: Infrared sensor for straight body faucets
- S3**: Infrared sensor for wide base faucets
- S5**: Infrared sensor for round spout, located after the outlet
- S6**: Infrared sensor for squared spout, located after the outlet

H1 Bathroom Adjustable

Compatibility table for H1 Bathroom Adjustable sensors:

- S7**: Round Interface Sensor to be placed at the outlet of the spout.
- S8**: Semi-circular Interface Sensor to be placed at the outlet of the spout.
- S9**: Squared Interface Sensor to be placed at the outlet of the spout.

KIT

Find the latest version
of our catalogue here:



sedal.com

